

Dan-Am Co.® Catalog 31

2022

SPRAY GUNS

CUP SYSTEMS

BREATHING PROTECTION

FILTER TECHNOLOGY

ACCESSORIES

DAN-AM PRODUCTS



DanAmAir®

SATA

and other equipment offered by Dan-Am Co.

***Dan-Am Co. is the Exclusive Independent Distributor
of SATA Products in the US and Puerto Rico***

This catalog also contains products not engineered and produced by SATA.
Dan-Am Company offers these products as an independent entity operating on its own.

Table of Contents

General Shipping Information 1

Spray Guns 2

Test air cap instructions	5
Spray gun cleaning & maintenance	6
SATAjet® X 5500 PHASER RP®/HVLP	10-11
SATAjet® X 5500 RP®/HVLP	12-13
SATAjet® 5000 B RP®/HVLP	14-15
SATAjet® 1500 B SoLV RP®/HVLP	16-17
SATAminijet 4400 B	18-21
SATAjet® 100 BF RP®/HVLP	
SATAjet® 100 B P	22-23
SATAjet® 3000 K RP®/HVLP	24-25
SATAjet® 3000 K spray mix	26-27
SATAjet® 1000 B RP®/HVLP	28-31
SATAjet® 1000 K RP®/HVLP	32-33
SATAjet® 1000 K Specialty	34-35
K D RP	
K Slit Nozzle	
K RP KK HKU Undercoating	
SATAjet® 1000 H RP®/HVLP	36-37
Nozzle Extensions & Pressure fed accessories (strainers)	38-39
SATAminijet® 1000 K RP/HVLP	40-41
SATAminijet® 1000 H RP/HVLP	42-43
SATAjet® 20 B	44-45
SATAgraph™ 1/2/3	46-47
SATAgraph™ 4	48-49
Spare Parts breakdown gravity fed spray guns	50-51
Nozzle Sets for Older spray gun models	52-53
If your spray gun is not listed, please visit www.satausa.com for more spare parts.	
SATAjet® 4000 B RP®/HVLP	54-55
SATAjet® 3000 B RP®/HVLP	56
SATAjet® 5000 B PHASER HVLP	57
SATAjet® 2000 B RP®/HVLP	58
SATAjet® B (SATAjet® GR)	59
SATAjet® KLC RP®/HVLP, SATAjet® KLC P	59
SATAminijet® 3000 B HVLP	60-61
SATAijet® H	62
SATAjet® 90-2	63
SATA® adam™ 2	64-65
Air Micrometers	65
Accessories for SATA spray guns	67-69
Helpful Tips & Remedies, Metric Conversion Chart	69

SATA care set, SATA cert, Quick Coupling, Nipples, Gun Holders, Strainers, Dosenboy Spray gun cleaning brushes, Viscosity cup, Air tester, Air cap protectors	67-70
Viscosity cup conversion chart	70
Automatic and Robotic spray guns	71-91
Quick Change Adapters	72-73
SATAjet® 3000 ROB RP®/HVLP	74-75
SATAjet® 3000 A RP®/HVLP	76-77
SATAjet® 1000 A RP®	78-79
SATAminijet® 1000 A RP®/HVLP	80-81
SATAminijet® 1000 A ROB RP/HVLP	82-83
SATAminijet® 1000 A S HVLP	84-85
SATAjet® LPS 2000 RP®	86-87
SATAjet® 3000 A spray mix	88-89
SATAjet® Lab Test	90-91

Cup Systems 92

SATA® RPS™ Multipurpose Cup System	94-95
Accessories for SATA® RPS™	96
Adapters for SATA® RPS™	97-98
Gravity Flow and Siphon Cups	98-99
SATA RPS dispenser	100-101
Glass Siphon and cup adapters	102
SATA® BVD™	103
SATA® Agitator cup	104
SATA RPS Loyalty	105

Breathing Protection 106

SATA® vision™ 5000	108-113
SATA® vision™ 5000 spare parts	112-113
SATA® vision™ 2000	114-115
SATA® air star C™	116-117
Accessories for SATA® vision™ 2000, air star C™ Air warmer, Tear offs, Linings, Sweat bands, Belt support straps	118-119
SATA® air star F™	120

Filter Technology 121

SATA® filter 524™/544™/564™/584™	123-125
SATA® filter 414™/424™/434™/464™	126-127
SATA® filter 444™/484™	128-129
SATA® filter 222™/242™/244™/284™	130-131
Accessories for SATA® filters, Manifold, Point of use reg., In-line air filter, Auto discharge, Air tester, Air check test kit	132-133
S.A.M.S. Supplied Air Monitoring System	134

Accessories 135

SATA trueSun	136-137
SATA® clean RCS™	138-139
SATA® dry jet™ 2	140
Dan-Am blow gun stand	141
SATA blow guns, Sand blasting & Dosen-Boy	142-143
Rust proofing Equipment	144-145
SATA® HKU pump & Barrel pumps	146-147
SATA® vario top spray™	148-151
Quick Couplings	152

Dan-Am Co Product 153

Dan-Am Kneeler, Stadium Seat, Hosemate	155
Carbon Monoxide Monitors	156-157
Dan-Am Cabinets and spray gun holders Electric drain valve	158
Dan-Am Hoses	159-160
Dan-Am Air Compressor	161
Sales and Demo Support/cases	161-163
Dan-Am Air Vac	164
Dan-Am Air	165
Easy Flex Panel Paint Stand	166-169
Dan-Am Pressure Pots	170-171
Dan-Am 10-20 L Pressure Tank	172-175
Dan-Am Pressure Regulators	176-177
Dan-Am 7232 High Pressure Pump	178-179
Dan-Am 2710 Medium and 2733 High Pressure Pump	180-183
Dan-Am Air Assist Pump Sys. Order Form	184
Dan-Am 5 Gallon Agitator Lid	185
SATA Apparel	186
Dan-Am Paint Suits	187
Dan-Am Pro Stencils/Paintable hoods	188-189
Dan-Am How-to DVDs and books	190
SATA/Dan-Am Brochures, Decals, Posters	191
Dan-Am Terms & Conditions	192
Warranty Information	

DAN-AM Customer Service

Monday - Thursday 7:00 a.m. to 6:00 p.m. (central time)

Friday 7:00 a.m. to 5:00 p.m. (central time)

Closed on Holidays

Phone orders 800-533-8016
 Telefax orders 800-633-SATA (7282)
 Int'l Telefax 507-346-7481
 E-mail orders order@satausa.com
 Service/questions 800-533-8016

E-mail: satajet@satausa.com
 www.satausa.com

We offer UPS delivery service. All orders are usually invoiced and packaged the same day, depending on the status of your account. We cannot guarantee any "add-ons" to original order or air shipments received after 12:00 noon, central time. UPS pick-up varies between 3:00 p.m. to 5:00 p.m.



UPS Next Day Air

Air freight guaranteed to be delivered to most destinations the next business day (contiguous 48 states only). Saturday delivery available at an extra charge.



UPS Second Day Air

Air freight guaranteed to be delivered to most destinations the second business day (contiguous 48 states only).

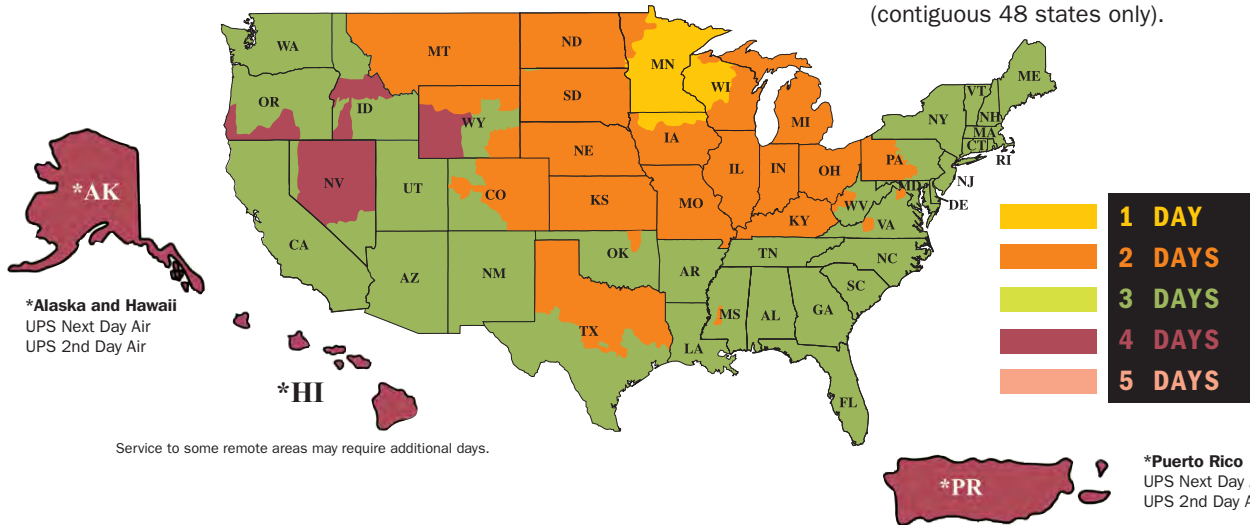


UPS Three Day Select

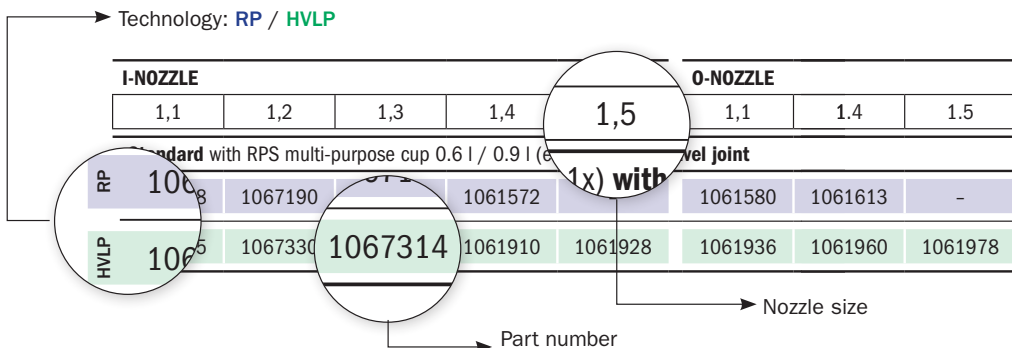
Delivery guaranteed to arrive at most destinations in three business days (contiguous 48 states only).

UPS Ground

Delivery via truck between 1 to 5 days (contiguous 48 states only).



Structure of the Catalog



Errors, technical modifications and printing errors reserved.

Spray Guns

SPRAY GUNS


CUP SYSTEMS

BREATHING PROTECTION

FILTER TECHNOLOGY

ACCESSORIES

DAN-AM COMPANY

 Robust air cap made of chrome-plated brass with **QC™** air cap thread for quick change with one turn only.
Air cap ring:
green = HVLV technology
blue = RP technology.

Fluid tip and paint needle made of corrosion-resistant stainless steel.


Material passage (red)


Air passage (blue)


Fluid tip seal ensuring minimal cleaning effort and safe color change.

Low maintenance, self-adjusting sealings at air piston and paint needle.

Gun trigger with paint needle guard ensuring increased life time of the paint needle packing.


 **Option:** Digital pressure display for exact pressure adjustment, perfect color match and reproducibility.

 **CCS™** – Color Code System. For the convenient identification of your spray gun.

 **QCC®** – Quick Cup Connector. Bayonet cup connection. Ensures quick and clean cup change as well as easy cleaning.

Gun suspension hook for convenient storage.

Control elements can be perfectly adjusted even wearing gloves. Improved material flow control.

 Air micrometer for the adjustment of the atomization air. Highest precision with digital pressure gauge (optional).

Spray fan control allowing fine adjustment with a half turn only.

Ergonomically shaped gun handle.

Easy to clean, corrosion-resistant anodized surface.

Air connection 1/4" male thread with swivel joint.








Warranty: Talking quality is not enough – we guarantee it: for three years with registration!








Errors, technical modifications and printing errors reserved.

Spray gun types	Fields of application	Operating mode
 <p>SATAjet® X 5500 PHASER RP® /HVLP 10 – 11</p> <p>SATAjet X 5500 RP® /HVLP 12 – 13</p>	<p>Top coat application for perfect finishes of e.g. vehicles, utility vehicles, furniture, yachts or high quality industrial components with all paint systems.</p>	<ul style="list-style-type: none"> · Available in HVLP or RP technology with each two different nozzle systems · I-nozzles for a controlled application · O-nozzles for a fast application · Fan control · Material flow control · Air micrometer · RPS multi-purpose cup · Retrofit: digital pressure gauge, SATA adam 2
 <p>SATAjet 5000 B RP® /HVLP 14 – 15</p>	<p>Top coat application for perfect finishes of e.g. vehicles, utility vehicles, furniture, yachts or high quality industrial components with all paint systems.</p>	<ul style="list-style-type: none"> · Available in HVLP or RP technology · Fan control · Material flow control · Air micrometer · RPS multi-purpose cup · Retrofit: digital pressure gauge, SATA adam 2
 <p>SATAjet 1500 B SoLV RP® /HVLP 16 – 17</p>	<p>Top coat application for the application of fine finishes with cost saving transfer efficiency. For the application of vehicles, utility vehicles, furniture, yachts using today's Low VOC exempt solvent basecoat or National Rule BC.</p>	<ul style="list-style-type: none"> · Available in HVLP low pressure or optimized high pressure RP technology · Fan control · Material flow control · Air micrometer · RPS multi-purpose cup · Retrofit: digital pressure gauge, SATA adam 2
 <p>SATAminijet 4400 B RP® /HVLP 19 – 21</p>	<p>Spray gun for small paint jobs and areas of difficult access design in craft and industry. Also perfectly suitable for the application of release agents. Special SR nozzle sets for spot repairs in the automotive sector</p>	<ul style="list-style-type: none"> · Available in HVLP low pressure or optimized high pressure RP technology · Fan control · Material flow control · Air micrometer · Gravity flow cup with QCC bayonet lock or RPS multi-purpose cup · Special HVLP SR and RP SR nozzle sets · Retrofit: digital pressure gauge, SATA adam 2
 <p>SATAjet 100 B F RP® /HVLP 22 – 23</p>	<p>Application of primer and filler materials in refinish, craft and industry</p>	<ul style="list-style-type: none"> · Available in HVLP low pressure or optimized high pressure RP technology · Fan control · Material flow control · Air micrometer · Gravity flow cup with QCC bayonet lock · Retrofit: digital pressure gauge, SATA adam 2
 <p>SATAjet 100 B P 22 – 23</p>	<p>Application of sprayable putty</p>	<ul style="list-style-type: none"> · High pressure spray gun with shortened air cap horns without air micrometer · Functional components like SATAjet 100 B, however without air micrometer · Retrofit: digital pressure gauge, SATA adam 2
 <p>SATAjet 3000 K RP® /HVLP 24 – 25</p>	<p>Ideally suited for coating large areas, e.g. on commercial vehicles, or other high-quality objects</p>	<ul style="list-style-type: none"> · To be used in combination with paint pressure tanks or low pressure pumps, e.g. SATA vario top spray · Optionally available in HVLP low pressure or optimized high pressure RP technology · Axial fan control · Material flow control · Retrofit: digital pressure gauge, SATA adam 2

Errors, technical modifications and printing errors reserved.

Spray gun types		Fields of application	Operating mode
	<p>SATAJet 3000 K spray mix 26 – 27</p>	<p>Ideally suited for coating large areas, e.g. on commercial vehicles, or other high-quality objects</p>	<ul style="list-style-type: none"> · To be used in combination with high pressure pumps up to 3625 psi · Fan control · Air micrometer · Retrofit: digital pressure gauge, SATA adam 2
	<p>SATAJet 1000 B RP® /HVLP 28 – 31</p> <p>SATAJet 1000 H RP® /HVLP 36 – 37</p>	<p>Top coat application for perfect finishes of e.g. vehicles, utility vehicles, furniture, yachts or high quality industrial components with all paint systems.</p>	<ul style="list-style-type: none"> · Available in HVLP low pressure or optimized high pressure RP technology · Fan control · Material flow control · Air micrometer · RPS multi-purpose cup · Retrofit: digital pressure gauge, SATA adam 2
	<p>SATAJet 1000 K RP® /HVLP 32 – 35</p> <p>SATAJet 1000 B/K Extensions 38 – 39</p>	<p>Ideally suited for coating large areas, e.g. on commercial vehicles, or other high-quality objects</p> <p>Specialty options available for the application of glues/adhesives and more.</p> <p>Ideally suited for reaching areas of difficult access</p>	<ul style="list-style-type: none"> · To be used in combination with paint pressure tanks or low pressure pumps, e.g. SATA vario top spray · Retrofit: digital pressure gauge, SATA adam 2 · Varying extension lengths and angles available
	<p>SATAminijet 1000 K RP® /HVLP 40 – 41</p>	<p>Spray gun for the manual serial coating of small and complex parts as well as for decorative and design applications, for instance in the toy or cosmetic industry. It is also perfectly suitable for the application of release agents and lubricants on diecasting or forging molds</p>	<ul style="list-style-type: none"> · Available in HVLP low pressure or optimized high pressure RP technology · To be used in combination with paint pressure tanks, e.g. SATA mini set 2 · As suction cup version in combination with RPS multi-purpose cups · Retrofit: digital pressure gauge, SATA adam 2
	<p>SATAminijet 1000 H RP® /HVLP 42 – 43</p>	<p>Small, lightweight material-fed spray gun, ideal for painting small components in serial production, for release agent applications and nano coatings, stains, small parts or touch-up</p>	<ul style="list-style-type: none"> · Available in HVLP low pressure or optimized high pressure RP technology · Siphon-fed special spray gun for industrial paintings of areas of difficult access · Sturdy, easy-to-clean anodized surface

Spray gun types	Fields of application	Operating mode
 <p>SATAJet 20 B 44 – 45</p>	Spray gun for custom design in craft and industry, calligraphy, patination	<ul style="list-style-type: none"> · Exclusively available with round spray nozzles · Reusable cup
 <p>SATAgraph 1/3/4 46 – 49</p>	Spray guns for custom design in craft and industry	<ul style="list-style-type: none"> · Airbrush gun with gravity, side feed or siphon cup. · Exclusively available with round spray nozzles · Some featuring double-action function
 <p>SATA adam 2 64 – 65</p>	The SATA adam 2 is the compact retrofit solution for an accurate and correct setting of the gun inlet pressure. Ensuring perfect color match during the painting process.	<ul style="list-style-type: none"> · To retrofit- converts any non-digital spray gun to a "DIGITAL" · Precise setting and display of the inlet pressure - ensuring perfect color match · Display can be attached and removed in no time, to use on several spray guns
 <p>Gun Holders Accessories 66 – 68</p>	For hanging gravity flow guns and siphon guns. Accessories for quality control, cleaning and maintenance	<ul style="list-style-type: none"> · Holds gun in between uses, no mess · Genuine SATA products · For trouble-free work
 <p>SATA automatic and Robotic RP® /HVLP 72 – 91</p>	Industrial application of varying amounts of materials. Please inquire for specific usage and combinations available	<ul style="list-style-type: none"> · Optionally available in HVLP low pressure or optimized high pressure RP technology · Adjustment to common systems engineering of leading manufacturers · Low-wear, safe results and easy to maintain

Test Air Cap Procedure

The SATA test air cap with dual gauges is a visual means of proving HVLP compliance or to set the correct air cap atomizing pressure by adjusting the gun inlet pressure. By fitting the gun with the test air cap, both center and horn air cap pressure can be checked and adjusted accordingly by the fan control or the gun inlet pressure. This tool is invaluable should the material need to be applied at a specified air cap pressure per the manufacturer.

SATA HVLP spray guns are internally engineered with the venturi principle to automatically reduce recommended spray gun inlet air pressure to the maximum allowed 10 psi outlet pressure at the air cap. When the recommended air inlet pressure is applied to the gun, the maximum air cap pressure will not be exceeded. All SATA HVLP guns are at least 65% transfer efficient and meet all HVLP legislation. Purchasing the SATA test air cap with dual gauges may be required by local or state ordinance.

The dual test gauge is a useful tool to check accurate pressure settings. For HVLP guns the setup is as simple as 1 - 2 - 3.

1. Use the proper size air hose with non-restrictive connections or couplings.
2. Use the SATA adam 2 digital air micrometer, SATA adam 2 U (Universal digital pressure gauge), SATA air micrometer with gauge #27771 or the SATA line pressure gauge #43786, for accurate pressure Setting. For DIGITAL SATA guns use the built-in digital air micrometer.
3. Set the recommended inlet air pressure with the trigger fully pulled and the built-in air micrometer (control at rear of gun), set to wide open. Verify center and horn air cap pressure does not exceed 10 psi.

Spray gun Cleaning and Maintenance

Intermediate cleaning with SATA clean RCS



1 Clean and rinse material passage and air cap

2 Blow dry spray gun and material passage

3 Color changes accomplished in approx 25-30 sec only

Disassembly of nozzle set



1 First remove paint needle.

2 Then disassemble the air cap.

3 And finally, unscrew fluid tip with the ring spanner integrated in the universal spanner.

Cleaning and drying



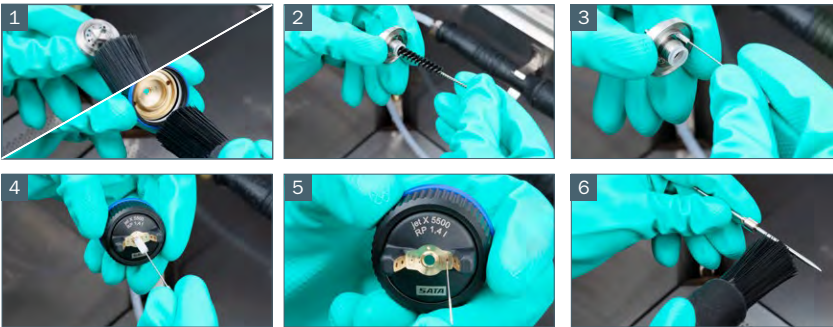
1 Clean the material passage

2 Clean the spray gun body

3 Dry with blow gun

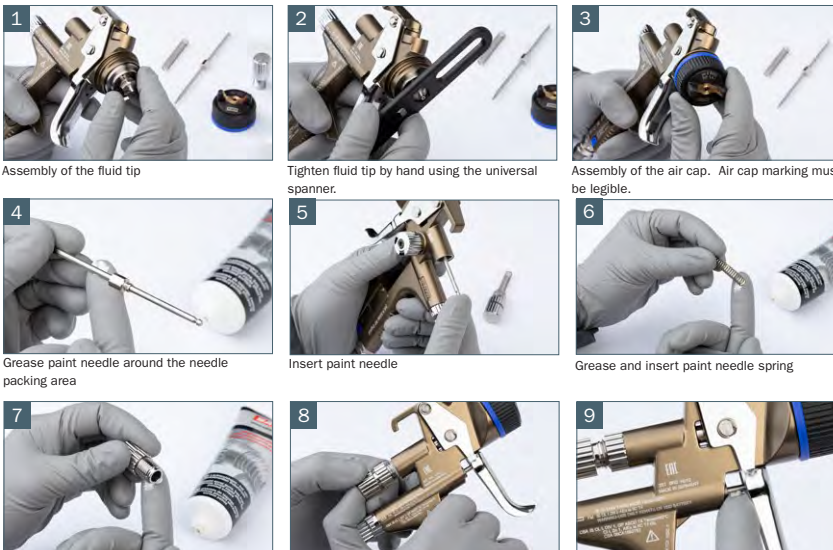
When cleaning the spray gun manually, please ensure not to use brushes made of metal wires which could possibly damage the spray gun. Also, please make sure that no cleaning fluid ends up in the air passages of the spray gun body.

Cleaning of the nozzle set



When cleaning the nozzle components, please make sure that metal parts of brushes do not damage the nozzle set. Ideally, please use specially designed SATA cleaning brushes and SATA nozzle cleaning needles to ensure optimum cleaning and maintenance of the nozzle set. Please watch our video at www.sata.com/ TV concerning "Cleaning and Maintenance of Spray Guns". Or simply order the cleaning brochure (Part No. 158162) or the cleaning poster (Part. No. 168070) free of charge!

Assembly and maintenance



1 Assembly of the fluid tip

2 Tighten fluid tip by hand using the universal spanner.

3 Assembly of the air cap. Air cap marking must be legible.

4 Grease paint needle around the needle packing area

5 Insert paint needle

6 Grease and insert paint needle spring

7 Grease thread of material flow control screw

8 Install material flow control screw

9 Grease visible part of air piston rod

Before painting, connect the air hose and blow air to be sure all passages are dry. With air connected and trigger pulled, move the air micrometer and fan control knobs back and forth to force air in and out of all air passages to empty them completely of solvent or water. Put gun away dry, **do not soak the air cap.**



Jet X 5500 RP Digital

RAIWA



The revolutionary nozzle system

State-of-the-art paint systems and the latest application recommendations open up new possibilities, but also pose new challenges for professional painters. The SATAjet X 5500 featuring the new X-nozzle system now defines a wholly new application standard for the future.

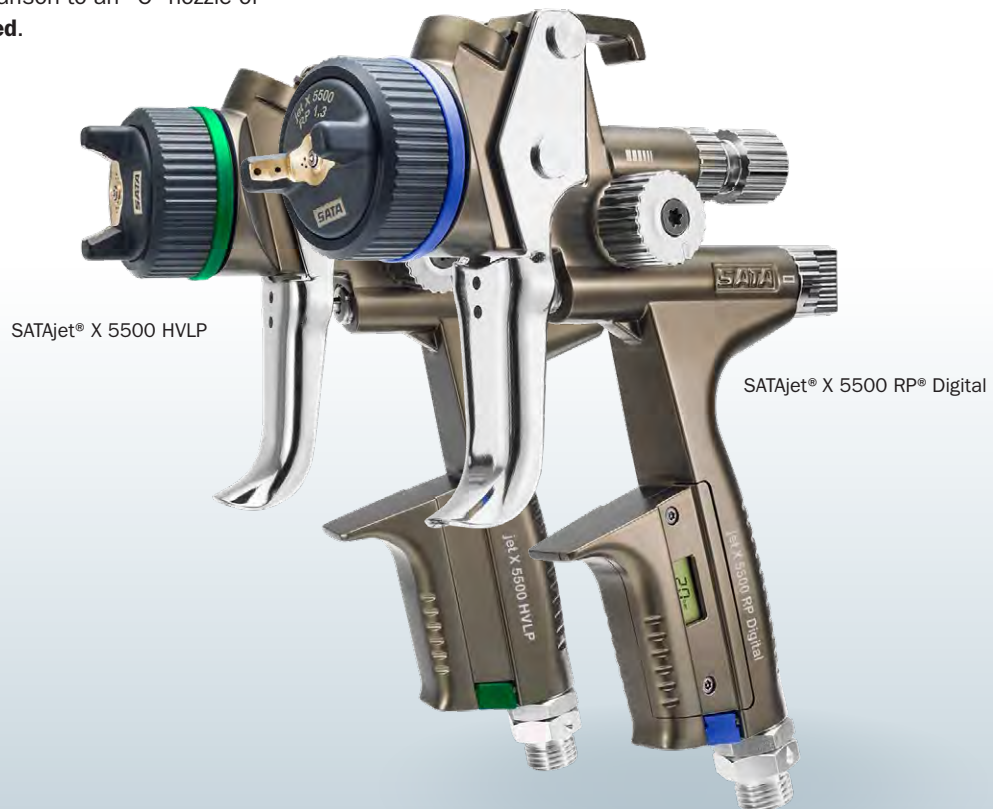
The concept of this nozzle system is easy and straightforward to understand: Both proven application technologies – HVLP and RP – remain available, but now each of them with the additional choice between "I" and "O"-nozzle sets. In line with the increasing nozzle sizes within each of the respective technology (HVLP / RP), the material flow rate increases too with constant increments – which means that the spray fan size and width remain unchanged across the entire nozzle spectrum. In essence, end-users can now rely on a transparent and consistent system which offers them clear and well-structured application options.

The "I"-nozzles produce a parallel spray fan pattern with a minimal dry zone and a drier center which is ideal for painters preferring a **reduced application speed** and maximum application control during the painting process. The **film build per coat** in comparison to an "O"-nozzle of the same size is **slightly reduced**.

- Parallel spray fan with minimal dry zone
- Improved control during application
- Reduced film build per coat compared to the nozzle set currently in use or the "O"-nozzle

"O"-nozzles do have an oval-shaped spray fan pattern with a larger dry zone and a wet core to accommodate **increased application speed** at the expense of slightly less application control during the painting process. The **film build per coat** in comparison to an "I"-nozzle is **slightly higher**.

- Oval-shaped spray fan with larger dry zone
- Wet core for increased application speed
- Film build per coat slightly higher compared to the "I"-nozzle



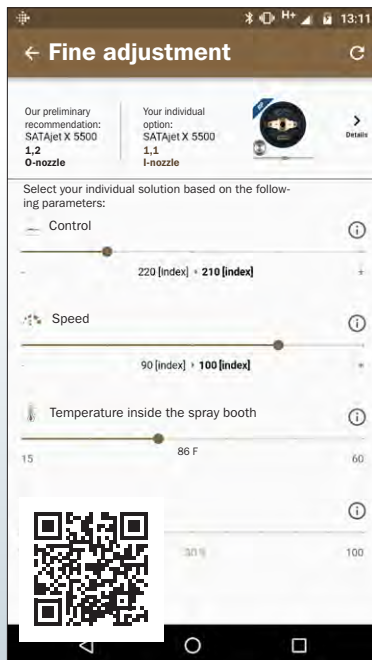
SATAjet® X 5500 HVLP

SATAjet® X 5500 RP® Digital

PRODUCT BENEFITS

- Revolutionary: The X-nozzles are taking atomization to a whole new level
- Noticeably quieter: Whispering nozzle™ due to optimized air flow geometry, reduced noise level in the relevant sound frequency ranges
- Individual: Matches any application requirement, such as specific characteristics of the paint system, climatic conditions and application method (application speed/ application control)
- Precise: Optimized material distribution for enhanced spraying uniformity and atomization with both spray fan shapes
- Low maintenance: No air distribution insert required, thus also ensuring a much easier and faster cleaning process
- Consistent: Constant fan size across the entire nozzle spectrum (within each respective atomization technology) with linear increases of the material flow rate
- Efficient: The optimized atomization concept enables to realize considerable material savings using the same application method as before

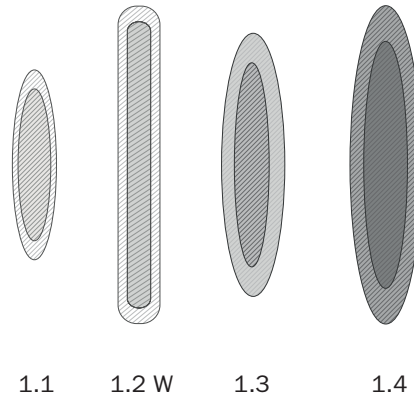
Select your favorite nozzle



www.sata.com/nozzelfinder

SPRAY FAN SHAPES

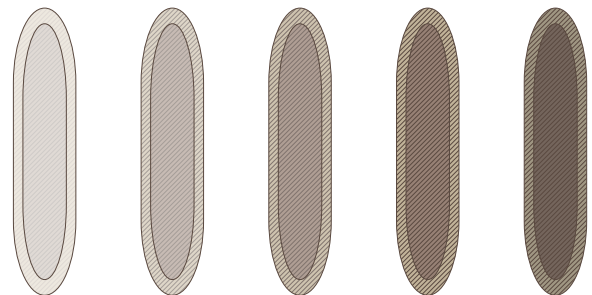
Examples of current fan shapes



1.1 1.2 W 1.3 1.4

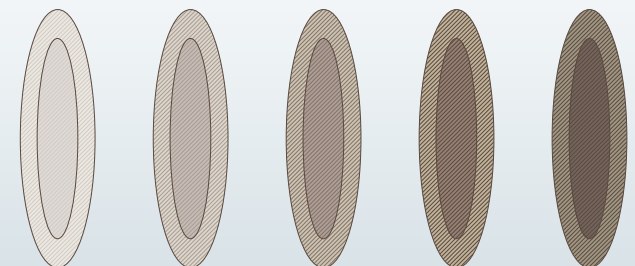
With SATAjet X 5500

Fan shape I-nozzle HVLP/RP



1.1 I 1.2 I 1.3 I 1.4 I 1.5 I

Fan shape O-nozzle HVLP/RP



1.1 O 1.2 O 1.3 O 1.4 O 1.5 O

SATAjet® X 5500 PHASER

RP® /HVLP



Technical data:	RP	HVLP
Inlet pressure	Operating range (Field of application): 7 psi - 34 psi Compliant: max. 29 psi	Operating range (Field of application): 7 psi - 34 psi Compliant: max. 29 psi
Air consumption at 29 psi	10 CFM	15 CFM
Spray distance	Operating range (Field of application): 3.9 in. - 8.2 in. Recommended: 6.6 in. - 8.2 in.	Operating range (Field of application): 3.9 in. - 8.2 in. Recommended: 3.9 in. - 5.9 in.



	I-NOZZLE			O-NOZZLE		
	1,2	1,3	1,4	1,2	1,3	1,4
Standard with RPS multi-purpose cup 0.6 l / 0.9 l (each 1x)						
RP	1096066	1096074	1150002	1096090	1096082	1150010
HVLP	1096157	1096149	1096131	1096107	1096115	1096123
Nozzle set						
RP	1096181	1096199	1150028	1096214	1096206	1150036
HVLP	1096272	1096264	1096256	1096222	1096230	1096248

Errors, technical modifications and printing errors reserved.



Spare parts

SATAjet® X 5500

PHASER

15438

Paint needle packing

86843

Air piston rod

96875

PVC insert for paint spray guns with QCC cup connection

131987

Spare plug-in sieve 200 µm, pastel green (packing unit 100 pieces)

133934

Sealing (packing unit 3 pieces) for spindle

133942

Seal retainer, cpl.

133959

Pressure spring (3 pieces) for paint needle and air piston

133991

Teflon seal for air piston (packing unit 3 pieces)

140582

Sealing element (packing unit 5 pieces) for fluid tip

211391

Locking screw (packing unit 3 pieces) for air micrometer

211409

CCS-Clips, green, blue, red, black (packing unit 4 pieces)

211508

Sealing ring (packing unit 5 pieces)

213025

Spindle, cpl., for round / flat spray control

1006669

Kit consisting of colored marking rings (blue, green, black, packing unit each 1 piece)

1006734

Trigger fixing clip

1057323

Tool kit

1092973

Trigger kit

1092981

Air connection piece 1/4" male thread

1092999

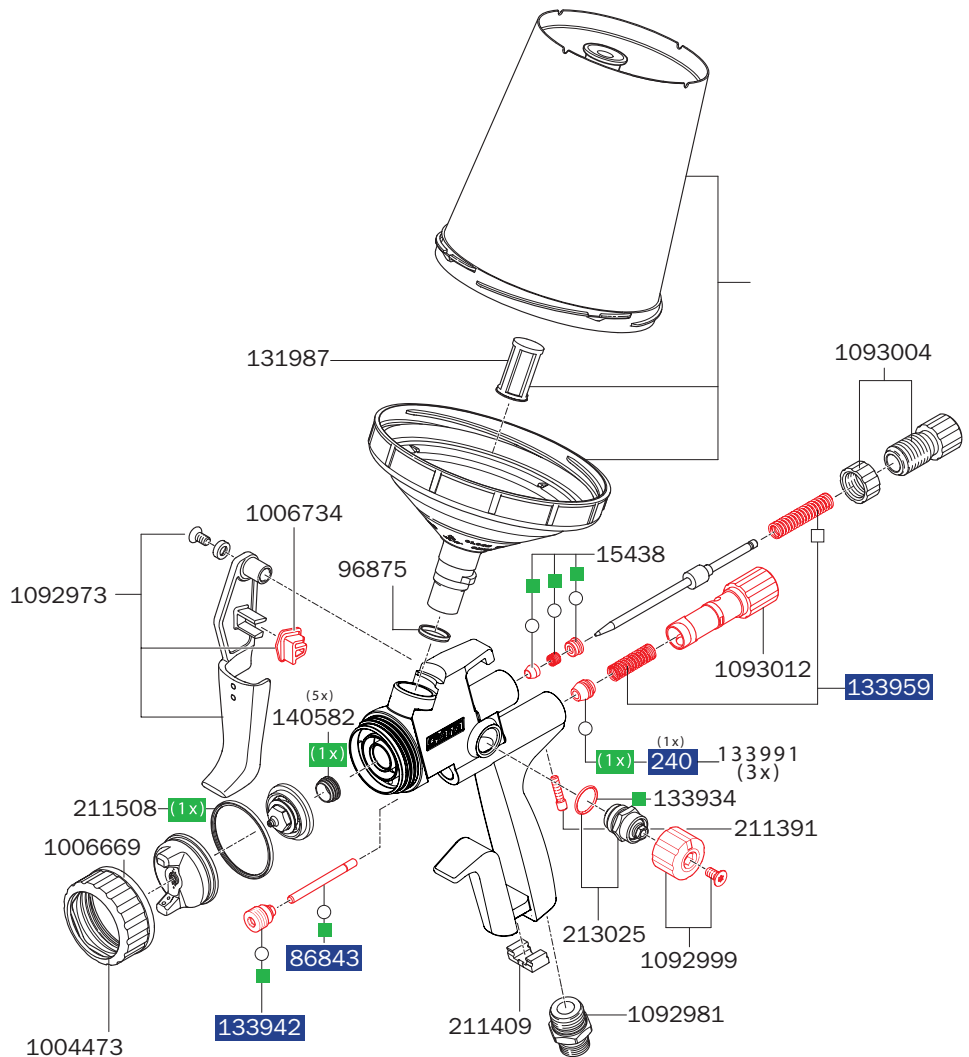
Control knob with screw (pack of 2 pieces)

1093004

Material flow control with counter nut

1093012

Air micrometer



SATA adam 2 (SATAjet 5000 series & up)

211557

SATA adam 2 chrome (psi)



1031715

SATA adam 2 black (psi)



211565

SATA adam 2 dock



211573

SATA adam 2 dock (2x)

Repair kit

1093020

Repair kit

82552

Air piston service unit

1050674X

SATAjet X 5500 Maintenance Set

136960

Sealing kit

Tool kit

1057323

- Universal spanner
- Combi tool
- Cleaning brush
- CCS clips
- Paint strainer



1097379

Universal key kit (pack of 3 pieces)

SATAjet X 5500 Maintenance Set

1050674X

- 1 Sealing ring for air cap ring 211508
- 1 Sealing element for fluid tip 140582
- 1 Air piston rod 86843
- 1 Seal retainer 133942
- 1 Spindle seal 133934
- 1 Teflon seal for air piston 240
- 1 Paint needle packing 15438



SATAjet® X 5500

RP® /HVLP



Technical data:	RP	HVLP
Inlet pressure	Operating range (Field of application): 7 psi - 34 psi Compliant: max. 29 psi	Operating range (Field of application): 7 psi - 34 psi Compliant: max. 29 psi
Air consumption at 29 psi	10 CFM	15 CFM
Spray distance	Operating range (Field of application): 3.9 in - 8.2 in Recommended: 6.6 in - 8.2 in	Operating range (Field of application): 3.9 in - 8.2 in Recommended: 3.9 in - 5.9 in



I-NOZZLE

	1,1	1,2	1,3	1,4	1,5	1,6	1,8
--	-----	-----	-----	-----	-----	-----	-----

Standard with RPS multi-purpose cup 0.6 l / 0.9 l (each 1x) with swivel joint

RP	1061548	1061556	1061564	1061572	1106534	1106542	1126889
HVLP	1061895	1061902	1061887	1061910	1061928	-	-

DIGITAL with RPS multi-purpose cup 0.6 l / 0.9 l (each 1x) with swivel joint

RP	1061639	1061655	1061704	1061738	1199976	1109942	-
HVLP	1062009	1061986	1062017	1062041	1062059	-	-

Nozzle set

RP	1063536	1063544	1063552	1063560	1106493	1106526	1125120
HVLP	1063619	1063627	1063635	1063651	1063669	-	-

O-NOZZLE

	1,1	1,2	1,3	1,4	1,5	1,6	1,8
--	-----	-----	-----	-----	-----	-----	-----

Standard with RPS multi-purpose cup 0.6 l / 0.9 l (each 1x) with swivel joint

RP	1061580	1061598	1061605	1061613	1106550	1106568	1126897
HVLP	1061936	1061944	1061952	1061960	1061978	-	-

DIGITAL with RPS multi-purpose cup 0.6 l / 0.9 l (each 1x) with swivel joint

RP	1061770	1061796	1061811	1061837	1109968	1109950	-
HVLP	1062083	1062091	1062132	1062140	1062174	-	-

Nozzle set

RP	1063578	1063586	1063594	1063601	1106500	1106518	1125138
HVLP	1063677	1063685	1063643	1063693	1063700	-	-

Test Air Cap for I and O

RP	1076456	1076670	-	-
HVLP	1075630	-	-	-



Errors, technical modifications and printing errors reserved.

Spare parts SATAjet® X 5500

240

Teflon packing for air piston (each)

15438

Paint needle packing

16162

Swivel joint for digital gun

17897

Needle spring

19745

Swivel joint for standard gun

86843

Air piston rod

96875

PVC insert for paint spray guns with QCC cup connection

133934

Sealing (packing unit 3 pieces) for spindle

133942

Seal retainer, cpl.

133959

Pressure spring (3 pieces) for paint needle and air piston

133991

Air piston head (packing unit 3 pieces)

134098

Air connection piece G1/4 male thread

140582

Sealing element (packing unit 5 pieces) for fluid tip

211391

Locking screw (packing unit 3 pieces) for air micrometer

211409

CCS-Clips, green, blue, red, black (packing unit 4 pieces)

211433

Trigger kit

211441

Seal retainer with sleeve

211458

Trigger sleeve kit

211466

Air micrometer

211474

Material flow control with counter nut

211508

Sealing ring (packing unit 5 pieces)

213025

Spindle, cpl., for round / flat spray control

215806

Air piston spring

1057323

Tool kit

1057357

Control knob with screw (packing unit 2 pieces)

1057414

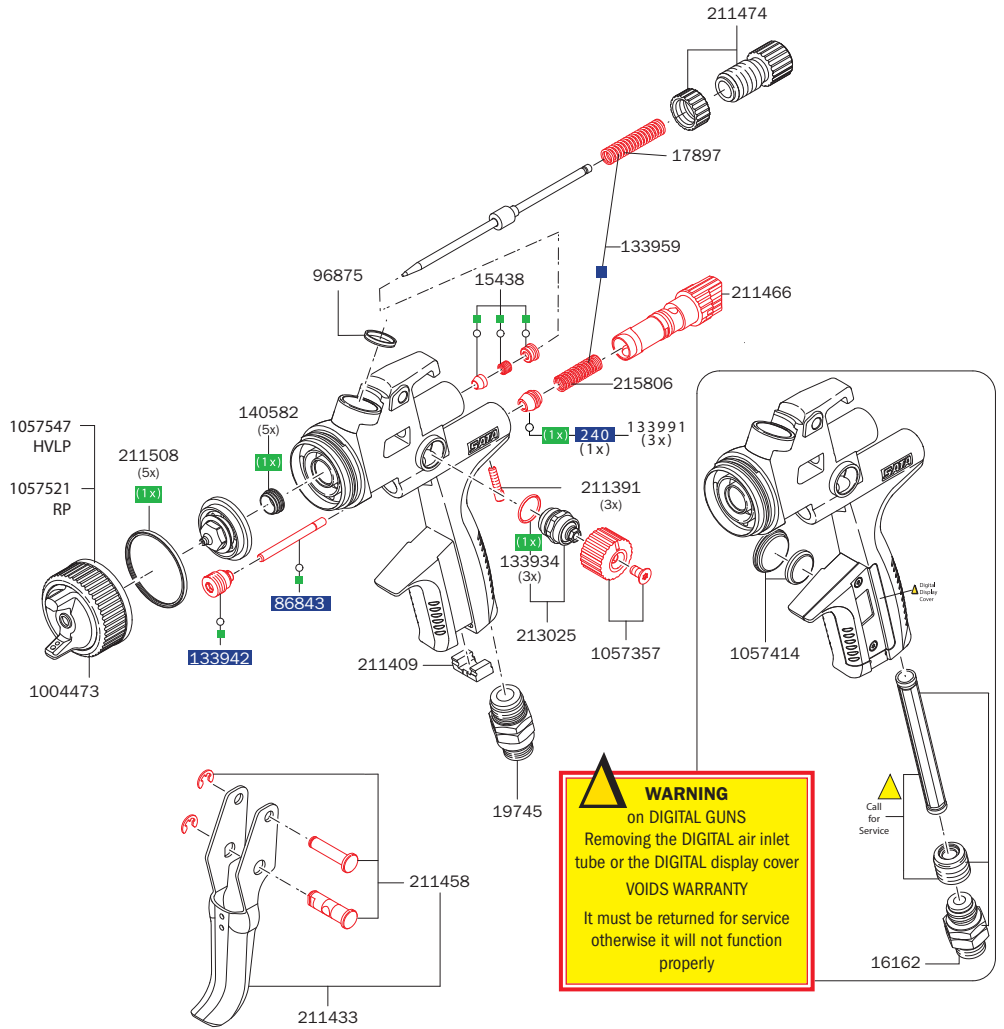
Battery kit

1057521

CCS ring only, RP, Blue

1057547

CCS ring only, HVLP, green



Repair kit

1047522

Repair kit

82552

Air piston service unit

1050674X

SATAjet X 5500 Maintenance Set

136960

Sealing kit

SATAjet X 5500 Maintenance Set

1050674X

- 1 Sealing ring for air cap ring 211508
- 1 Sealing element for fluid tip 140582
- 1 Air piston rod 86843
- 1 Seal retainer 133942
- 1 Spindle seal 133934
- 1 Teflon seal for air piston 240
- 1 Paint needle packing 15438



Tool kit

1057323

- Universal spanner
- Combi tool
- Cleaning brush
- CCS clips
- Paint strainer



1097379

Universal key kit (pack of 3 pieces)

SATA adam 2 (SATAjet 5000 series & up)

211557

SATA adam 2 chrome (psi)

1031715

SATA adam 2 black (psi)

211565 SATA adam 2 dock

211573 SATA adam 2 dock (2x)



SATAjet® 5000 B

RP® /HVLP



Technical data:	RP	HVLP
Inlet pressure	Operating range (Field of application): 7 psi - 29 psi Compliant: max. 29 psi	Operating range (Field of application): 7 psi - 29 psi Compliant: max. 29 psi
Air consumption at 29 psi	10.2 CFM	15.2 CFM
Spray distance	Operating range (Field of application): 3.9 in - 8.3 in Recommended: 6.7 in - 8.3 in	Operating range (Field of application): 3.9 in - 8.3 in Recommended: 3.9 in - 5.9 in



1,0	1,1	1,2	1,2 W	WSB	1,3	1,4	1,5	1,6	1,7	1,8	1,9	2,0	2,2	2,5
-----	-----	-----	-------	-----	-----	-----	-----	-----	-----	-----	-----	-----	-----	-----

Standard with RPS multi-purpose cup 0.3 l / 6 l / 0.9 l (each 1x) with swivel joint

RP	-	215640	209858	209866	-	209874	209882	-	209890	-	209908	-	209916	-	-
HVLP	210732	-	210740	-	210757	210765	210799	210823	-	210831	-	-	-	210856	-

Nozzle set

RP	-	210252	210260	210278	-	210286	210294	-	210302	-	210310	-	210328	-	210336
HVLP	210955	-	210963	-	210971	210989	211011	211045	-	211052	-	211060	-	211078	-

Test Air Cap

RP	215962	-	215962	215970	-	215970	-	215970	-	-	-	-	-	-	-
HVLP	215988	-	215996	-	215988	215996	215988	215988	-	-	-	-	-	-	-

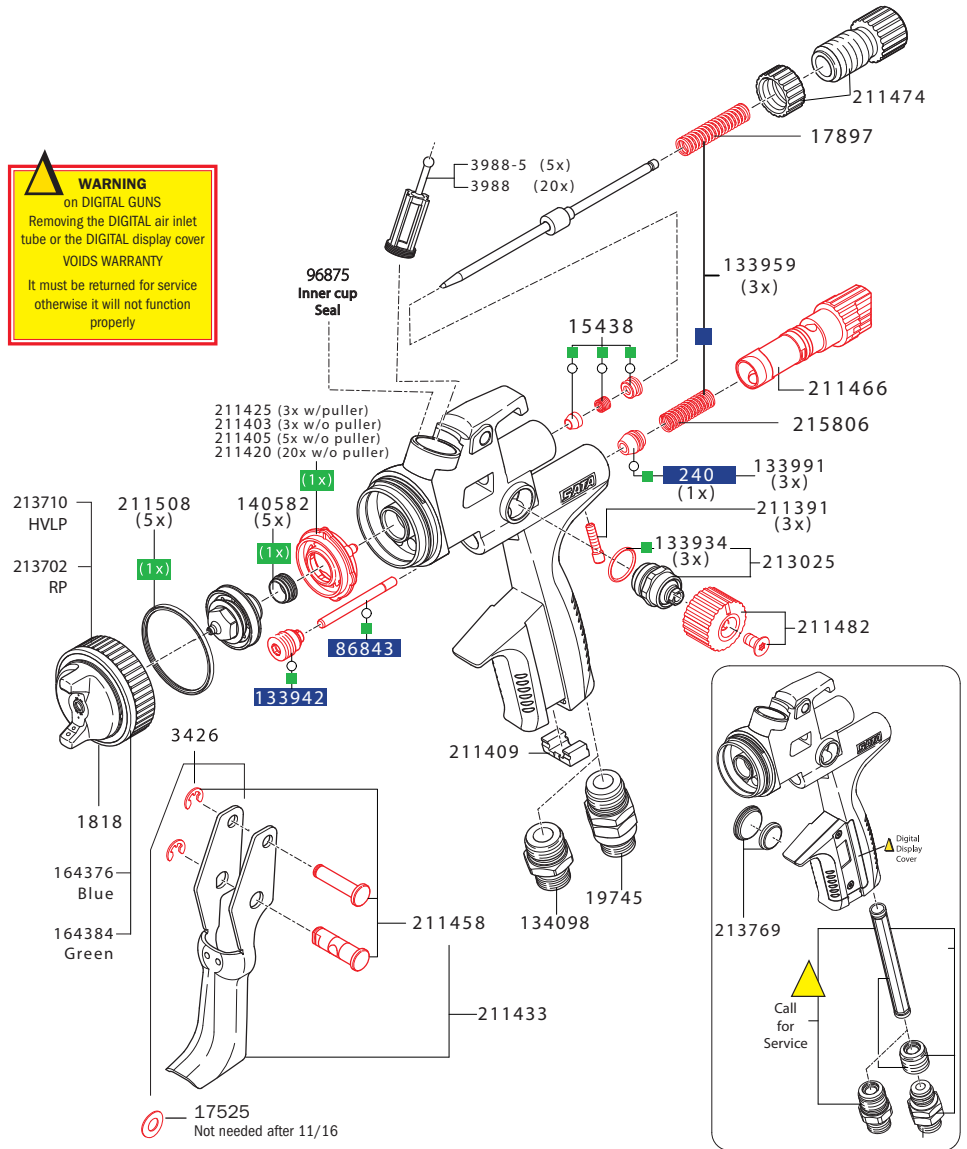


Errors, technical modifications and printing errors reserved.

Spare parts SATAjet® 5000 B

240	Packing, Air Piston (each)
1818	Snap Ring
3426	Circlip
3988	Sieve, pk of 20
3988-5	Sieve, pk of 5
15438	Paint needle packing
17525	Bent washer for trigger, guns < 11/16
17897	Needle spring
19745	Swivel joint
86843	Air piston rod
96875	Seal, inner cup
133934	Sealing (packing unit 3 pieces) for spindle
133942	Seal retainer, cpl.
133959	Pressure spring (3 pc) for paint needle and air piston
133991	packing for air piston (packing unit 3 pieces)
134098	Air connection piece 1/4" (male thread)
140582	Sealing element (packing unit 5 pieces) for fluid tip
164376	CCS ring only, RP, Blue
164384	CCS ring only, HVLP, Green
211391	Locking screw (3 pieces) for air micrometer
211403	Air distribution ring (3x) w/o puller
211405	Air distribution ring (5x) w/o puller
211409	CCS-Clips, green, blue, red, black (each 1x)
211425	Air distribution ring (3 pieces)
211433	Trigger kit
211458	Trigger sleeve kit
211466	Air micrometer
211474	Material flow control with counter nut
211482	Control knob with screw (each 2 pieces)
211508	Sealing ring (5 pieces)
213025	Spindle, cpl., for round / flat spray control
213702	Complete Ring only, RP, Blue
213710	Complete Ring only, HVLP, Green
213769	Battery kit
215806	Air Piston Spring

WARNING
on DIGITAL GUNS
Removing the DIGITAL air inlet tube or the DIGITAL display cover
VOIDS WARRANTY
It must be returned for service
otherwise it will not function
properly



SATAjet 5000 B Maintenance Set

- 1050674
- Air distribution ring/extraction tool 211425
 - 1 Sealing ring for air cap ring 211508
 - 1 Sealing element for fluid tip 140582
 - 1 Air piston rod 86843
 - 1 Seal retainer 133942
 - 1 Spindle seal 133934
 - 1 Teflon seal for air piston 240
 - 1 Paint needle packing 15438



Repair kit

- 211532 Repair kit
- 82552 Air piston service unit
- 1050674 SATAjet 5000 Maintenance Set
- 136960 Sealing kit

Tool kit

- 211524
- Universal spanner
 - Combi tool
 - Cleaning brush
 - CCS clips
 - Paint strainer
 - Extraction tool
- 1097379
Universal key kit (pack of 3 pieces)



SATA adam 2 (SATAjet 5000 series & up)

- 211557 SATA adam 2 chrome (psi)
- 1031715 SATA adam 2 black (psi)
- 211565 SATA adam 2 dock
- 211573 SATA adam 2 dock (2x)



SATAjet® 1500 B SoLV

RP® /HVLP



Technical data:	RP	HVLP
Inlet pressure	Operating range (Field of application): 7 psi - 29 psi Compliant: max. 29 psi	Operating range (Field of application): 7 psi - 26 psi Compliant: max. 26 psi
Air consumption at 26 psi	10.2 CFM	12.4 CFM
Spray distance	Operating range (Field of application): 6 in - 8.2 in	Operating range (Field of application): 3.9 in - 5.9 in



	1,3	1,4
Standard with RPS multi-purpose cup 0.3 l / 6 l / 0.9 l (each 1x)		
RP	1010892	1010917
HVLP	1010925	1010933
Nozzle set		
RP	1010941	1010959
HVLP	1010967	1010975

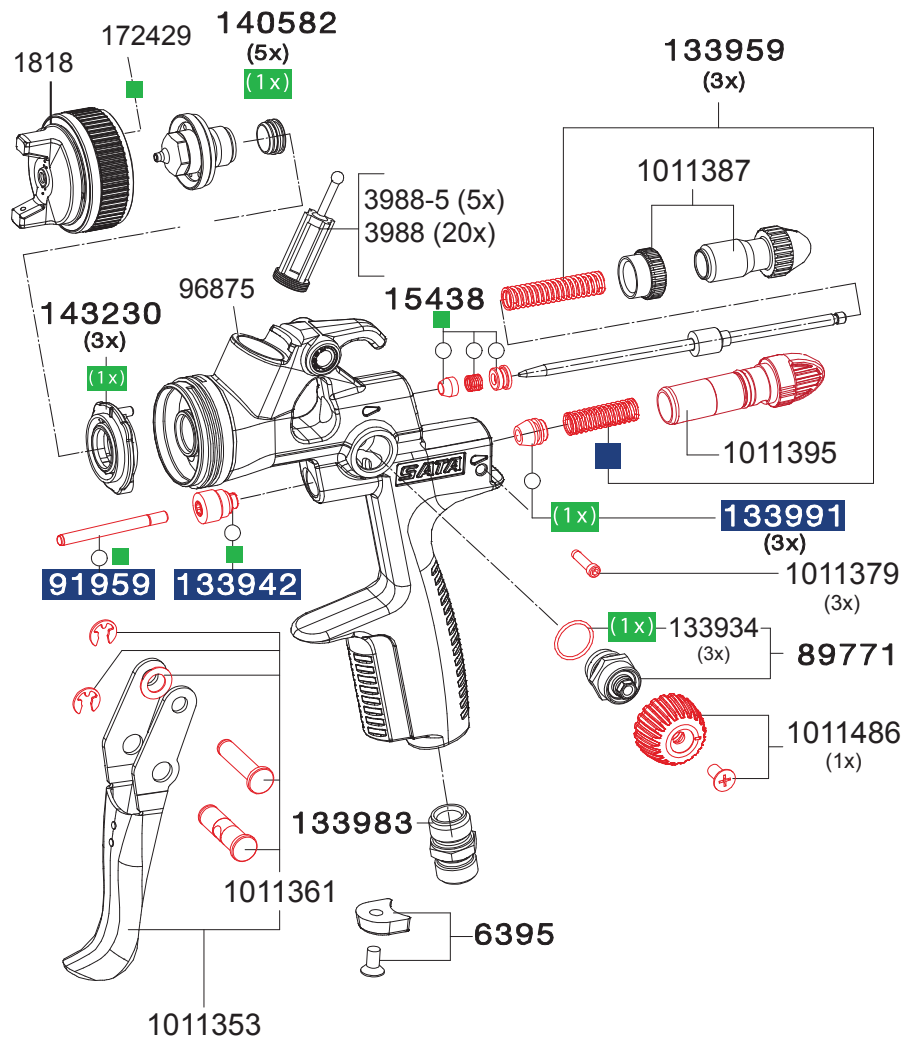
Errors, technical modifications and printing errors reserved.



Spare parts

SATAjet® 1500 B SolV

1818	Snap Ring
3988	Paint strainer, 300 µm (packing unit 20 pieces)
3988 -5	Paint strainer, 300 µm (packing unit 5 pieces)
6395	CCS Clips, green, blue, red, black packing unit 4 pieces)
15438	Paint needle packing
89771	Spindle, cpl., f. round / flat spray control SATAjet 2000 HVLP
91959	Air piston rod
96875	Inner gun seal
1011353	Trigger kit
1011361	Trigger sleeve kit
172429	Air cap seal, 5 pk
133934	Sealing (packing unit 3 pieces) for spindle
133942	Seal retainer, cpl.
133959	Pressure spring (3 pieces) for paint needle and air piston
1011379	Locking screw (packing unit 3 pieces) for air micrometer
133983	Air connection piece 1/4" male thread
133991	Air piston head (packing unit 3 pieces)
140582	Sealing element (packing unit 5 pieces) for fluid tip
143230	Air distribution ring (packing unit 3 pieces)
1011387	Material flow control with counter nut
1011395	Air micrometer
1011486	Fan control knob with screw (packing unit 2 pieces)



Repair kit

1011527	Repair kit
92759	Air piston service unit
1047150	SATAjet 1500 Maintenance Set
136960	Sealing kit

SATAjet 1500 B SolV Maintenance Set

- 1047150
- Air distribution ring/extraction tool 143230
- 1 Sealing ring for air cap ring 172429
- 1 Sealing element for fluid tip 140582
- 1 Air piston rod 91959
- 1 Seal retainer 133942
- 1 Spindle seal 133934
- 1 Teflon seal for air piston 133991
- 1 Paint needle packing 15438



Tool kit

- 9050
- Universal spanner
- Cleaning brush
- Paint strainer
- Extraction tool
- Allen wrench 2mm
- Allen wrench 4mm



- 1097379
- Universal key kit (pack of 3 pieces)

SATAmijet® 4400® B

Compact spray gun for high precision work



SPRAY GUNS

CUP SYSTEMS

BREATHING PROTECTION

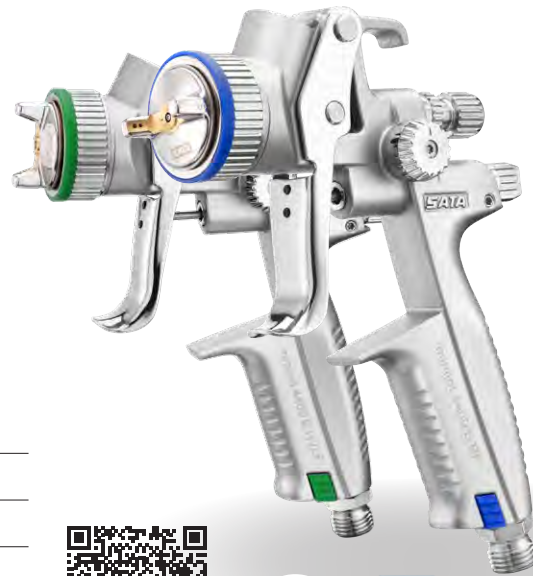
FILTER TECHNOLOGY

ACCESSORIES

DAN-AM COMPANY

SATAmijet® 4400 B

RP® /HVLP



Technical data:	RP	HVLP
Inlet pressure	7.25 psi - 36 psi	7.25 psi - 29 psi
Air consumption	7 CFM @ 36 psi	4.2 CFM @ 29 psi
Spray distance	6 in - 7 in	5 in - 6 in

	0,3 SR	0,8 SR	1,0 SR	1,2 SR	1,3 SR	1,4 SR
--	--------	--------	--------	--------	--------	--------

Spot-Repair with RPS multi-purpose cup 0.3 l (2x)

RP	1114149	202390	198358	198366	1065136	-
HVLP	-	198168	198176	198184	-	198192

Nozzle set

RP	1114131	201285	201293	201301	1065037	-
HVLP	-	201244	201251	201269	-	201277

Test Air Cap

RP	-	206474		-	-
HVLP	-	206433	206441	-	206458

design set

198382

SATA design set with SATAmijet 4400 B HVLP 1.0 (state nozzle size)



Reusable QCC PVC and aluminum cups sold seperately. Uses std QCC cups, no adapter required

	0,3	0,5	0,8	1,0	1,1	1,4	1,6
--	-----	-----	-----	-----	-----	-----	-----

Standard with RPS multi-purpose cup 0.3 l (2x)

RP	-	202382	-	-	-	198374	204156
HVLP	204164	204172	204180	204198	204206	-	-

Nozzle set

RP	-	202408	-	-	-	201319	201327
HVLP	201194	201202	201210	201228	201236	-	-

Test Air Cap

RP	-	206466	-	-	-	206482	
HVLP	206417		206425		-	-	

Errors, technical modifications and printing errors reserved.

Spray fan comparison

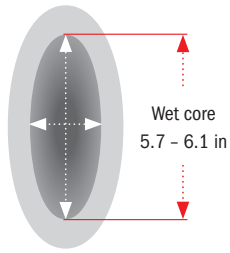
SATAmijet 4400 B HVLP

Standard nozzle / SR nozzle

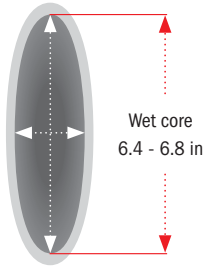
SATAmijet 4400 B RP

Standard nozzle / SR nozzle

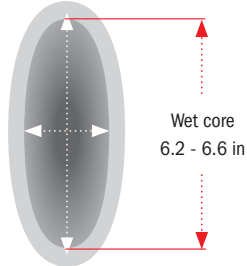
1.0 HVLP
(at 29 psi)
Spray distance 5.9 in



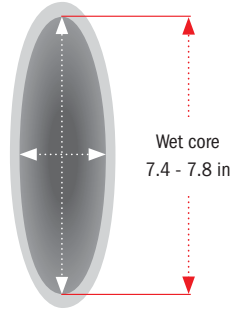
1.0 SR HVLP
(at 29 psi)
Spray distance 5.9 in



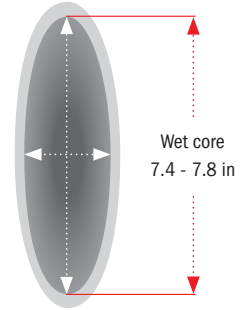
1.4 RP
(at 36 psi)
Spray distance 5.9 in



1.2 SR RP
(at 36 psi)
Spray distance 5.9 in

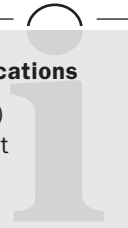


1.3 SR RP
(at 29 psi)
Spray distance 5.9 in



SR-nozzles especially for spot repair applications

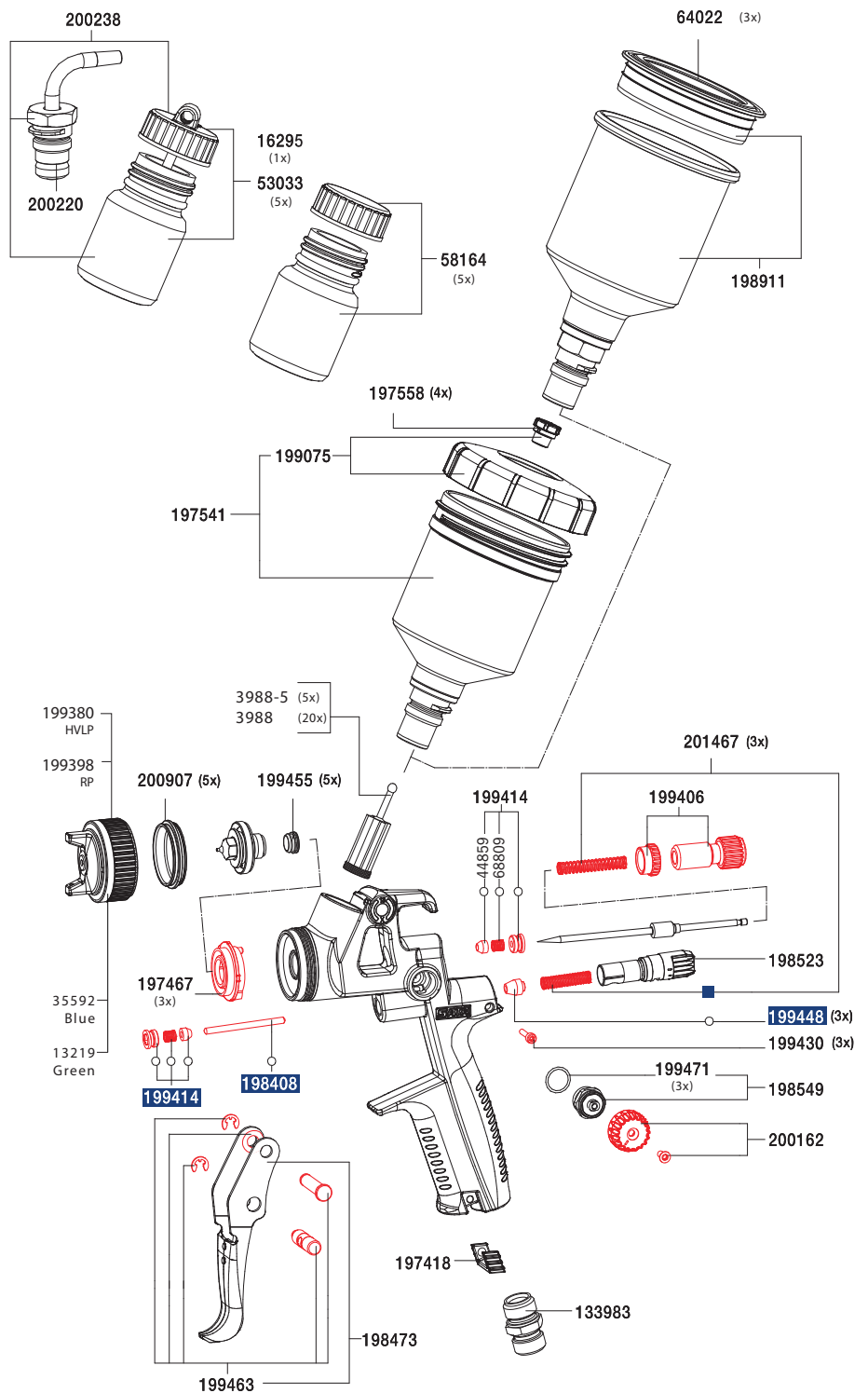
- Lower risk of creating bright edges ("halos")
- Allows application of very thin layers of paint



Spare parts SATAmijet® 4400 B

3988
Strainer. 300 µm (20x)
3988-5
Strainer. 300 µm (5x)
13219
CCS ring only, HVLP, Green
16295
25 ml glass cup with plug-in cup
35592
CCS ring only, RP, Blue
44859 Needle packing
53033
25 ml glass cup with plug-in cup (5x)
58164
25 ml glass cup with blind lid (5x)
64022
PVC lid (3x)
68809 Packing spring
133983
Air connection piece G1/4 male thread
197418
CCS Clips. green. blue. red. black (4x)
197467
Air distribution ring (3x), w/puller
197541
0.125 l QCC reusable plastic cup. cpl.
197558
Anti-drip device (4x)
198408
Air piston rod
198473
Trigger kit
198523
Air micrometer
198549
Spindle for round / flat spray control
198911
0.15 l QCC reusable aluminium cup. cpl.
199075
Screw cap with drip catcher ring and anti-drip device
199406
Material flow control with counter nut
199414
Packing for paint needle and air piston rod
199430
Adjustment screw (3x) for air micrometer
199448
Air piston head (3x)
199455
Sealing element (5x) for fluid tip
199463
Trigger sleeve kit
199471
Gasket (3x) for spindle
201467
Pressure spring (each 3x) for paint needle and air piston
200162
Control knob with screw each 2)
200220
Plug-in cup connection with QCC
200238
25 ml glass cup with plug-in lid (5x) and QCC plug-in connection (1x)
200907
Sealing ring (5x)
199398
Metal ring only, Blue, RP
199380
Metal ring only, Green, HVLP

Errors, technical modifications and printing errors reserved.



Tool kit

- 198572
- Universal spanner
- Combi tool
- Cleaning brush
- Paint strainer
- Extraction tool



1097379
Universal key kit (pack of 3 pieces)

Repair kit

- 198614
Repair kit
- 199422
Air piston service unit
- 200246
Sealing kit

SATAjet® 100 B F

RP® /HVLP



Technical data:	RP	HVLP
Inlet pressure	7 - 29 psi	29 psi
Air consumption:	10.2 CFM @ 29 psi	12.4 CFM @ 36 psi
Spray distance	6 in - 8 in	3.9 in - 5.9 in



	1,1 UV	SEALER	1,4	1,6	1,7	1,8	1,9	2,0	2,1
--	--------	--------	-----	-----	-----	-----	-----	-----	-----

Spray gun with RPS multi-purpose cup 0.3 l / 0.6 l / 0.9 l (each 1x) without swivel joint

RP	203125*	1100015	1012632	1012640	-	1012658	-	1012666	-
HVLP	-	-	1012674	-	1012682	-	1012690	-	1012707

Nozzle set

RP	182600	1099573	146977	145250	-	145268	-	145276	-
HVLP	-	-	146381	-	145417	-	145425	-	145433

* 3 x 0,6 l UV

SATAjet® 100 B P

Technical data:	
Inlet pressure	7 - 29 psi
Air consumption at 29 psi	8.7 CFM
Spray distance	5 in - 7 in

p*

Spray gun with RPS multi-purpose cup 0.3 l / 0.6 l / 0.9 l (each 1x) without swivel joint, only comes in 2.5

1012715

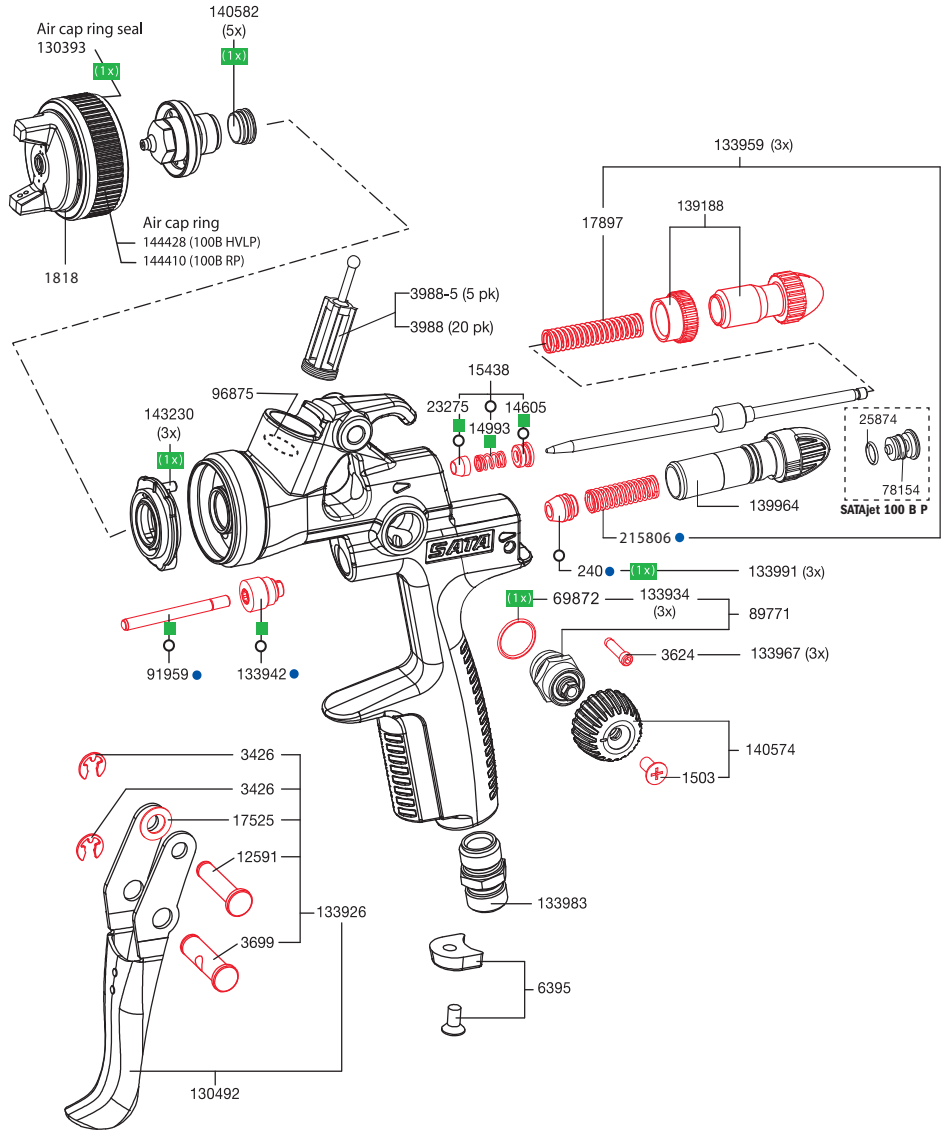
Nozzle set Nozzle size only comes in 2.5

145284

* Polyester spray filler

Spare parts SATAjet® 100 B

240	Packing, air piston
901	Wrench, universal spanner
1503	Screw, fan control
1826	Non-drip device (4 pk)
3426	Circlip, pin
3509	Brush, large standard
3624	Pin, air micrometer
3699	Pin, lower trigger
3988	Sieve, pk of 20
3988-5	Sieve, pk of 5
6007	Brush, nozzle cleaning, pk of 10
6395	Disc, CC (standard), pk of 4
6585	Insert, aluminum cup
9050	Tool kit
9647	Allen wrench, 4mm
12591	Pin, upper trigger
14605	Bushing, needle packing
14993	Spring, needle packing
15438	Kit, needle packing
17525	Washer, tension spring
17897	Spring, paint needle
23275	Packing, needle
27243	Cup, 0.6L QCC plastic
43638	Puller, wire air ring
49395	Lid, 0.6L plastic
49437	Cup Lid Drip Ring, 0.6L, (5 pk)
69872	O Ring, fan control
71555	Lid, plastic, (3 pk)
89771	Control spindle, flat/round, w/"O"ring
91959	Piston, air rod
92759	Service set, air piston
96875	Seal, inner cup
130393	Seal, air cap ring
130492	Kit, trigger service complete
130542	Repair kit, SATAjet 100 B series
133884	Kit, battery, cover w/gasket
133926	Kit, trigger sleeve
133934	O ring, fan control, (3 pk)
133942	Bushing, air piston
133959	Kit, spring, (3 ea. of #215806 & #17897)
183780	Sealing kit
215806	Spring, air piston
133967	Pin, air micrometer, (3 pk)
133983	Fitting, standard 1/4" air inlet
133991	Packing, air piston, (3 pk)
139188	Kit, fluid control and lock nut
139964	Air micrometer, HVLP & RP only
140574	Knob, fan control w/ screw
140582	Fluid tip seal (5 pk)
143230	Air distribution ring (3 pk)
144410	Air cap ring with seal (RP)
144428	Air cap ring with seal (HVLP)



Only with SATAjet 100 B "P" version:

25874	"O" ring 9 x 1.5
78154	Closing cap w O ring seal

Repair kit

130542	Repair kit
92759	Air piston service unit
1047100	Maintenance Set, slimmed down
183780	Sealing kit

Tool kit

9050	Extraction tool
	Paint strainer
	Cleaning brush
	Allen wrench 2 mm width
	Allen wrench 4 mm width
	Universal spanner
1097379	Universal key kit (pack of 3 pieces)



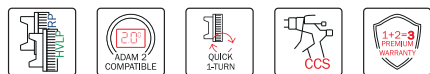
SATAjet 100 B Maintenance Set

1047100	Air distribution ring/extraction tool 143230
	1 Sealing ring for air cap ring 130393
	1 Sealing element for fluid tip 140582
	1 Air piston rod 91959
	1 Seal retainer 133942
	1 Spindle seal 133934
	1 Teflon seal for air piston 133991
	1 Paint needle packing 15438



SATAjet® 3000 K

RP® /HVLP



Technical data:	RP	HVLP
Inlet pressure	6-34 psi	36 psi
Air consumption at 36 psi	15.2 CFM	18.7 CFM
Spray distance:	6 in - 9 in	5 in - 8.5 in
Material connection:	G 3/8" male thread	



	0,8	1,0	1,1	1,2	1,3	1,4	1,5	1,6	1,7	2,0
--	-----	-----	-----	-----	-----	-----	-----	-----	-----	-----

Spray gun Standard

RP	92932	-	93336	-	93344	-	93351	-	93369	93377
HVLP	93385	92924	-	93393	-	193656	-	96164	-	96172

Specially Treated (ST) ST= nozzle sets with lifetime prolonged surface of fluid tip and paint needle.

RP	163022	-	141994	-	142265	-	166421	-	196535	-
HVLP	93385ST	92924ST	-	93393ST	-	CALL	-	137851	-	96172ST

Nozzle set

RP	92494	-	92502	-	92510	-	92528	-	95422	95356
HVLP	92783	92791	-	92809	-	191379	-	92817	-	92825

Nozzle set - Specially Treated

RP	141317	-	137901	-	137919	-	137927	-	137935	137943
HVLP	147058	137950	-	137968	-	CALL	-	137976	-	137984

Required accessories for SATA pressure fed spray guns

92031

SATA paint tube G 3/8" (female thread) - 3/8" (male thread) for SATA pressure fed spray guns



38265


SATA paint strainer 60 msh, G 3/8" (female thread) and 3/8" (male thread) for SATA pressure fed spray gun except for SATAminijet

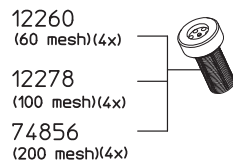
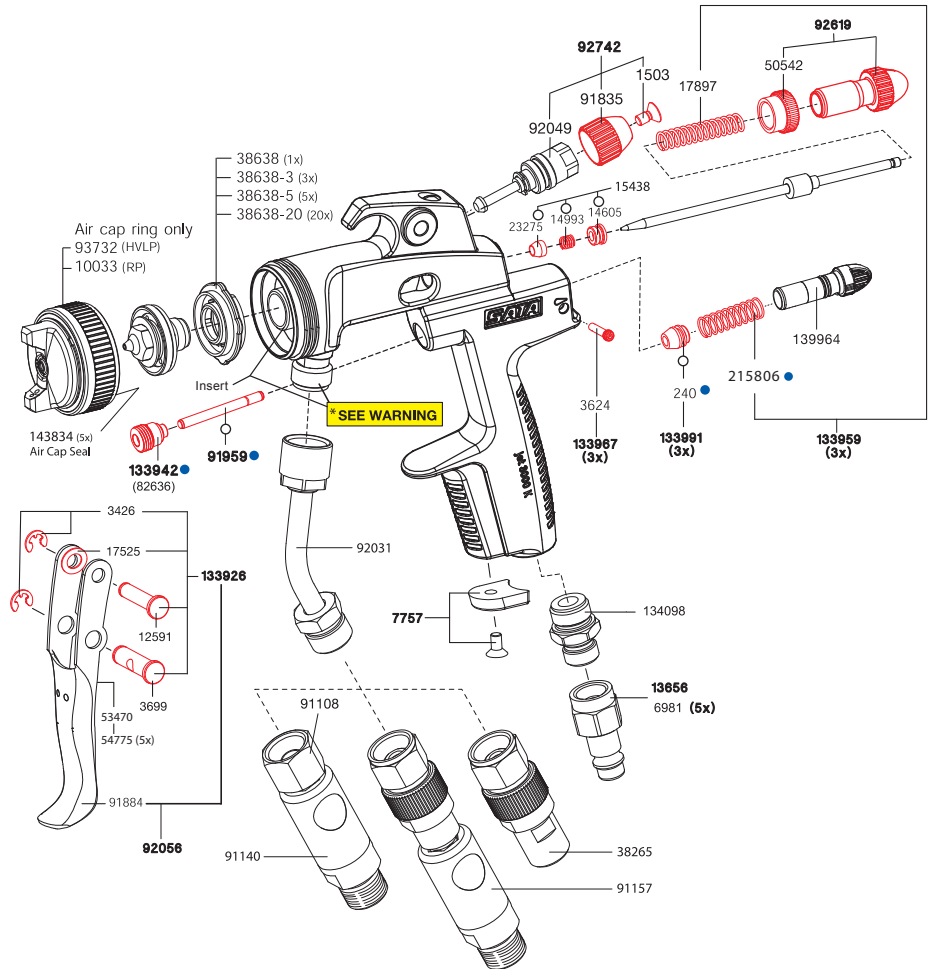


- ▶ **Upon request:** spray guns and nozzle sets with surface treatment for increased lifetime of the fluid tip and paint needle.
- ▶ Further accessories see pages 67|69.

Spare parts

SATAjet® 3000 K

240	Air piston packing
1503	Fan control screw
3426	Circlip only, 1 each
3624	Pin, micrometer
3699	Pin, lower trigger
6981	Female nipple, pk of 5
7757	Color Code disc, pk of 4
10033	Air cap ring w/seal, 3000 K RP
12591	Pin, upper trigger
13656	Quick coupling nipple G1/4 female, hi-flow
14605	Bushing, needle packing
14985	Battery kit, digital
14993	Spring, needle packing
15438	Needle packing service set
17525	Lock spring
17897	Needle spring
23275	Needle packing
38265	Strainer, G3/8i-G3/8a, 60 mesh WA
38638	Air ring, K3000 K, HVLP and RP
38638-3	Air ring, pk of 3
38638-5	Air ring, pk of 5
38638-20	Air ring, pk of 20
43638	Wire tool, air ring
50542	Lock nut fluid control
53470	Trigger slider pad
53603	Air micrometer
82636	Air piston packing holder
91108	QC nipple
91140	Material coupling w/plug-in nipple, mat. strainer 60 mesh, G3/8i-G3/8a
91157	Material coupling w/plug-in nipple and mat. strainer 60 mesh, G3/8i-G3/8a
91835	Knob, fan control
91884	Trigger
91959	Air piston, 3000 K
92031	Paint pipe, for SATA pressure fed, G3/8i-G3/8a, waterborne
92049	Fan control
92056	Trigger service set
92577	Tool set, 3000 K
92619	Fluid control service set
92742	Fan control service set
92759	Air piston service set
92767	Repair kit, 3000 K HVLP & RP
93732	Air cap ring w/seal, 3000 K HVLP
95091	Air inlet fitting, Digital 
133926	Kit, trigger sleeve
133942	Air piston packing
133959	Kit, spring, pk of 3 each of #215806 & #17897
133967	Pin, air micrometer, pk of 3
133991	Packing, air piston, pk of 3
134098	Air inlet fitting, 1/4" BSP
143834	Seal, air cap ring, pk of 5
183780	Seal kit
215806	Spring, air piston



Do not remove the insert, seal, and fluid inlet. Special tools are required.

CALL SATA repair department for details.

Errors, technical modifications and printing errors reserved.

Tool kit

9050

- Extraction tool
- Paint strainer
- Cleaning brush
- Allen wrench 2 mm width
- Allen wrench 4 mm width
- Universal spanner



Repair kit

92767
Repair kit

92759
Air piston service unit

183780
Sealing kit

SATAjet® 3000 K spray mix



Technical data:

Max. operating pressure atomization air:	145 psi
Max. operating pressure material:	3,625 psi
Weight including material filter:	23 oz.



Spray mix gun

120006 SATAjet 3000 K spray mix with paint pipe, strainer 100 mesh, without paint nozzle (specify material nozzle size)

Spray mix spray gun with reversing switch

120014 SATAjet 3000 K spray mix with paint pipe, strainer 100 mesh, reversing switch, without inversion nozzle (specify reversing nozzle size)

207530 Reversing switch kit, without reversing nozzle for SATAjet 3000 K spray mix

Using a reversing nozzle requires a "one time" purchase of the reversing switch. Part Number 207530

Nozzle No.	Part No.	ø mm	ø inch	Angle	Width	oz/min @ 1015 psi	Strainer
Fluid tip							
1840	23044	0,18	0,007	40°	7	5.41	200 msh 85 µm 74856 4 per set
2325	7328	0,23	0,009	25°	6	7.78	
2350	7435	0,23	0,009	50°	9	7.78	
2360	74922	0,23	0,009	60°	10	7.78	
2825	16998	0,28	0,011	25°	6	10.14	
2850	50906	0,28	0,011	50°	9	10.14	
2865	13771	0,28	0,011	65°	10	10.14	100 msh 150 µm 12278 4 per set
3325	20206	0,33	0,013	25°	6	15.22	
3350	50898	0,33	0,013	50°	9	15.22	
3365	13789	0,33	0,013	65°	11	15.22	
3375	74930	0,33	0,013	75°	13	15.22	
3390	73742	0,33	0,013	90°	16	15.22	
3825	13797	0,38	0,015	25°	6	20.63	60 msh 250 µm 12260 4 per set
3850	7344	0,38	0,015	50°	10	20.63	
3882	74948	0,38	0,015	82°	14	20.63	
4650	19307	0,46	0,018	50°	9	32	
4682	74955	0,46	0,018	82°	14	32	
5370	150276	0,53	0,021	70°	13	42	
6050	17004	0,60	0,024	50°	12	53.76	

Inversion nozzle for inversion switch

2550	207548	0,25	0,010	20°/50°	4/9	8.45	200 msh 85 µm	74856 4 per set
3050	207555	0,30	0,012	20°/50°	4/9	12.85	100 msh 150 µm	12278 4 per set
3550	207563	0,35	0,014	20°/50°	4/9	17	100 msh 150 µm	12278 4 per set
4050	207571	0,40	0,016	20°/50°	4/9	23.6	100 msh 150 µm	12278 4 per set

► Hose pairs see pages 159|160.

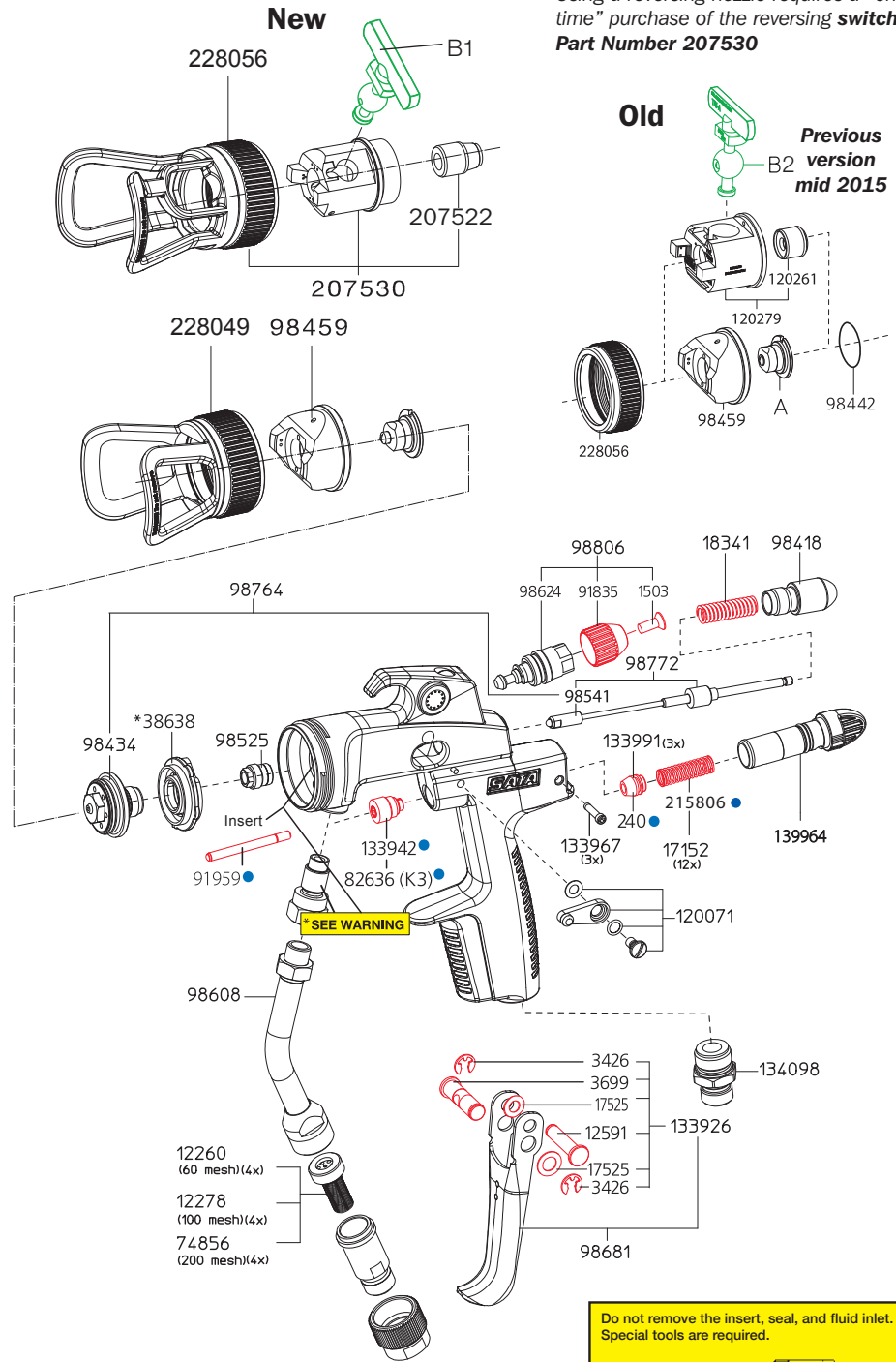
► For accessories see pages 67|69.

SATA

Errors, technical modifications and printing errors reserved.

Spare Parts
SATAjet® 3000 K
spray mix

240	Air piston packing
1503	Fan control screw
3426	Circlip, pin
3624	Pin, micrometer
3699	Pin, lower trigger
12260	Sieve, 60 msh, pkg of 4
12278	Sieve, 100 msh, pkg of 4
12591	Pin, upper trigger
17525	Washer, tension spring
18341	Needle spring
30833	Nozzle cleaning kit
38638	Air distrib. ring, spray mix
*38638-3	Air ring, pk of 3
*38638-5	Air ring, pk of 5
*38638-20	Air ring, pk of 20
53603	Air micrometer
74856	Sieve, 200 msh, pkg of 4
82636	Air piston packing holder
91835	Knob
91959	Air piston, K3
92759	Air piston service set
98434	Pre-nozzle
98442	Seal ring, pre-nozzle
98459	Air cap, round/flat
98525	Packing holder
98541	Needle tip
98608	Paint pipe, material filter 100 mesh
98624	Fan control
98681	Trigger service set
98699	Tool kit, Sp. Mix
98707	Repair kit, Sp. Mix
98764	Pre-nozzle w/needle tip
98772	Needle w/needle tip
98806	Fan control service set
120071	Trigger lock, complete
120261	Reversing nozzle seal, OLD
120279	Reversing nozzle switch, OLD
207522	Seal, reversing nozzle, NEW
207530	Reversing switch, NEW
215806	Spring, air piston
228056	Air cap ring with protection against accidental contact
228049	Air cap ring with protection against accidental contact



B - Reversing nozzle
 Using a reversing nozzle requires a "one time" purchase of the reversing switch.
Part Number 207530

Old
 Previous version mid 2015

Errors, technical modifications and printing errors reserved.

Tool kit

1006966

- Universal spanner
- Cleaning brush
- Extraction tool



Repair kit

98707
 Repair kit

92759
 Air piston service unit

30833
 Nozzle cleaning kit
 (not shown on exploded view)

Do not remove the insert, seal, and fluid inlet. Special tools are required.

CALL SATA repair department for details.

SATAjet 1000 B The multi-talent!

The all around spray guns
for craft and industry



SATAjet® 1000 B

RP® /HVLP



Technical data:	RP	HVLP
Inlet pressure	21 psi - 29 psi	29 psi
Air consumption:	7.1 CFM @ 36 psi	12.5 CFM @ 36 psi
Spray distance	6.6 in - 8.25 in	5 in - 9.6 in

	0,8	1,0	1,3	1,4	1,6	1,7	1,8
--	-----	-----	-----	-----	-----	-----	-----

Spray gun with 0.6 l QCC reusable plastic gravity flow cup without swivel joint

RP	151183	151191	149302	-	149310	-	150391
HVLP	-	-	-	149377	-	149385	-

Spray gun with 0.75 l QCC reusable aluminium gravity flow cup without swivel joint

RP	151225	151233	150342	-	149344	-	150409
HVLP	-	-	-	149419	-	149427	-

Spray gun with 1.0 l QCC reusable aluminium gravity flow cup without swivel joint

RP	-	158071	158089	-	158097	-	158105
HVLP	-	-	-	158147	-	158154	-

Nozzle set

RP	151316	151324	149161	-	149179	-	150417
HVLP	-	-	-	149195	-	149203	-

Test Air Cap

HVLP	157222	-	157222	-
------	--------	---	--------	---

▶ For more versions see the next page.

Errors, technical modifications and printing errors reserved.

	1,9	2,0	2,1	2,5	3,0	4,0	5,0
--	-----	-----	-----	-----	-----	-----	-----

Spray gun with 0.6 l QCC reusable plastic gravity flow cup without swivel joint

RP	-	149328	-	151209	151217	154161	CALL
RP	HIGH-VISCOSITY >			1003194	1003201	-	-
HVLP	149393	-	149401	-	-	-	-

Spray gun with 0.75 l QCC reusable aluminium gravity flow cup without swivel joint

RP	-	149351	-	151241	151258	154179	CALL
RP	HIGH-VISCOSITY >			1003219	1003227	-	-
HVLP	149435	-	149443	-	-	-	-

Spray gun with 1.0 l QCC reusable aluminium gravity flow cup without swivel joint

RP	-	158113	-	158121	158139	CALL	CALL
HVLP	CALL	-	CALL	-	-	-	-

Nozzle set

RP	-	149187	-	151332	151340	154187	154195
RP	HIGH-VISCOSITY >			222372	222380	-	-
HVLP	149211	-	149229	-	-	-	-

Test Air Cap

HVLP	157222	-	157222
------	--------	---	--------

SATAjet 1000 B RP for glue applications

164962

SATAjet 1000 B RP nozzle 1.6 D Drall/twisted round spray 0.6 l QCC reusable plastic cup

164970

Nozzle set SATAjet 1000 B RP 1.6 Drall/twisted round spray

214320

SATAjet 1000 B RP nozzle 1.3 DA pressurized cup spray gun for dispersion glues, incl. SATA BVD add-on kit

214338

Nozzle set SATAjet 1000 B RP 1.3 DA for dispersion glues

► Extensions available see pages 36|37.

Spare Parts


SATAjet® 1000 B

240	Seal, air piston
901	Wrench, universal spanner
1503	Screw, fan control
1818	Snap Ring
3426	Circlip, pin
3509	Brush, large standard
3624	Pin, air micrometer
3699	Pin, lower trigger
3988	Sieve, pk of 20
3988-5	Sieve, pk of 5
6395	Disc, CC (standard), pk of 4
9050	Tool set
9647	Allen wrench, 4
12591	Pin, upper trigger
14605	Bushing, needle
14993	Spring, needle bushing
15438	Kit, needle packing
17525	Washer, tension spring
17897	Spring, needle
23275	Seal, needle
215806	Spring, air piston
64543	Allen wrench, 2
69872	O-ring, fan control
89771	Control, RH w/O-ring
91959	Air piston
92577	Tool set
96875	Seal, inner cup
160853	Air micrometer, DIGITAL Adam II
130393	Seal, air cap ring
130435	Air cap ring only (RP)
130443	Air cap ring only (HVLP)
130492	Trigger kit
130542	Repair kit, Jet 1000 K
133926	Kit, trigger sleeve
133934	O-ring, fan control, pk of 3
133942	Bushing, air piston
133959	Spring kit, 3 each of #215806 & #17897
133967	Pin, air micrometer, pk of 3
133983	Fitting, air inlet, R 1/4" male thread
133991	Seal, air piston, pk of 3
134031	Knob, fan control w/screw, 2 pk
139188	Kit, fluid control and lock nut
139964	Air micrometer, standard
140574	Knob, fan control w/screw
140582	Seal, fluid tip, pk of 5
143230	Air distribution ring, pk of 3
183780	Seal kit

Repair kit

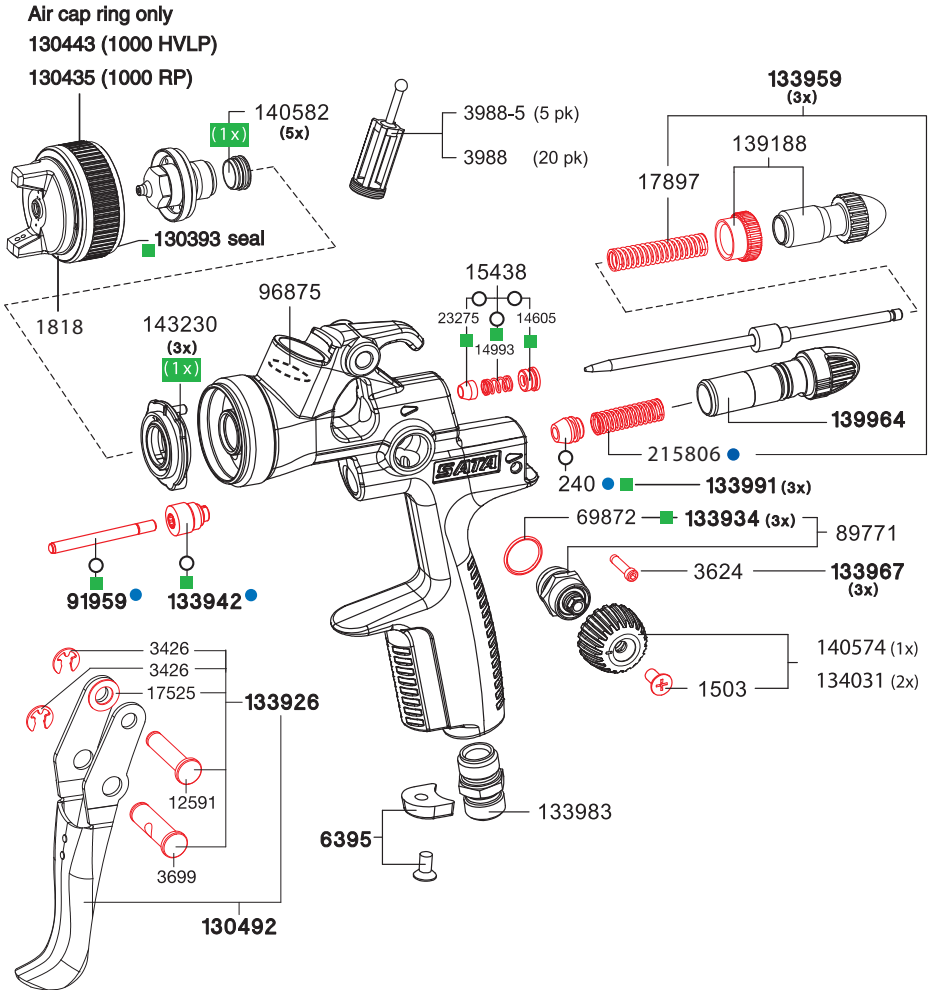
130542	Repair kit
92759	Air piston service unit
1047100	Maintenance Set, slimmed down
183780	Sealing kit

Tool kit

9050	<ul style="list-style-type: none"> Extraction tool Paint strainer Cleaning brush Allen wrench 2 mm width Allen wrench 4 mm width Universal spanner 	
1097379	Universal key kit (pack of 3 pieces)	

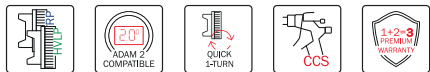
SATAjet 1000 B Maintenance Set

1047100	<ul style="list-style-type: none"> Air distribution ring/extraction tool 143230 1 Sealing ring for air cap ring 130393 1 Sealing element for fluid tip 140582 1 Air piston 91959 1 Seal retainer 133942 1 Spindle seal 133934 1 Teflon seal for air piston 133991 1 Paint needle packing 15438 	
---------	--	---

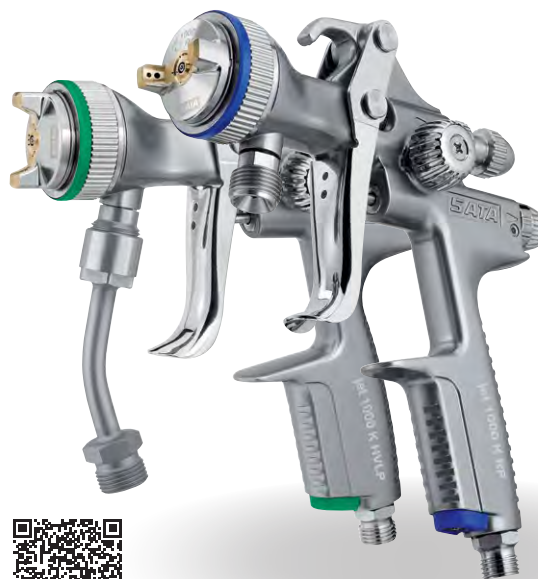


SATAjet® 1000 K

RP® /HVLP



Technical data:	RP	HVLP
Inlet pressure	36 psi	36 psi
Air consumption at 36 psi	14.5 CFM	18.7 CFM
Spray distance	7 in - 9 in	5 in - 8 in
Material connection	G 3/8" male thread	



	0,8	1,0	1,1	1,2	1,3	1,4	1,5	1,6	1,7	2,0
--	-----	-----	-----	-----	-----	-----	-----	-----	-----	-----

Spray gun Standard

RP	132092	-	132100	-	132118	-	132126	-	132134	132142
HVLP	139196	139204	-	139212	-	193664	-	139220	-	139238

Spray gun with Specially Treated Nozzle resistant to abrasive material

RP	141903	-	141911	-	141929	-	141937	-	141945	141952
HVLP	141960	141978	-	141986	-	CALL	-	142000	-	142018

Nozzle set

RP	132159	-	132167	-	132175	-	132183	-	132191	132209
HVLP	139253	139261	-	139279	-	191387	-	139287	-	139295

Nozzle set with Specially Treated Nozzle resistant to abrasive material

RP	141648	-	141655	-	141663	-	141689	-	141697	141705
HVLP	141762	141770	-	141804	-	CALL	-	141812	-	141838

Test Air Cap

HVLP	143891	-	143909	-	143909	-	143909	-	-	-
------	--------	---	--------	---	--------	---	--------	---	---	---

	2,5	3,0	4,0	5,0
--	-----	-----	-----	-----

Spray gun

RP	153486	153494	154336	-
----	--------	--------	--------	---

Nozzle set

RP	153528	153536	154377	154385
----	--------	--------	--------	--------

Nozzle set with lifetime prolonging surface of fluid tip and paint needle

RP	159442	-	-	-
----	--------	---	---	---

SATAjet 1000 RP for adhesive applications

161232	SATAjet 1000 K RP nozzle 1.6 D Drall material connection 3/8" (male thread)
159707	Nozzle set SATAjet 1000 K RP 1.6 Drall
211979	SATAjet 1000 K RP nozzle 1.3 DA for dispersion adhesives, material connection 3/8" (male thread)
211961	Nozzle set SATAjet 1000 K RP 1.3 DA for dispersion adhesives



Required accessories for SATA pressure fed spray guns

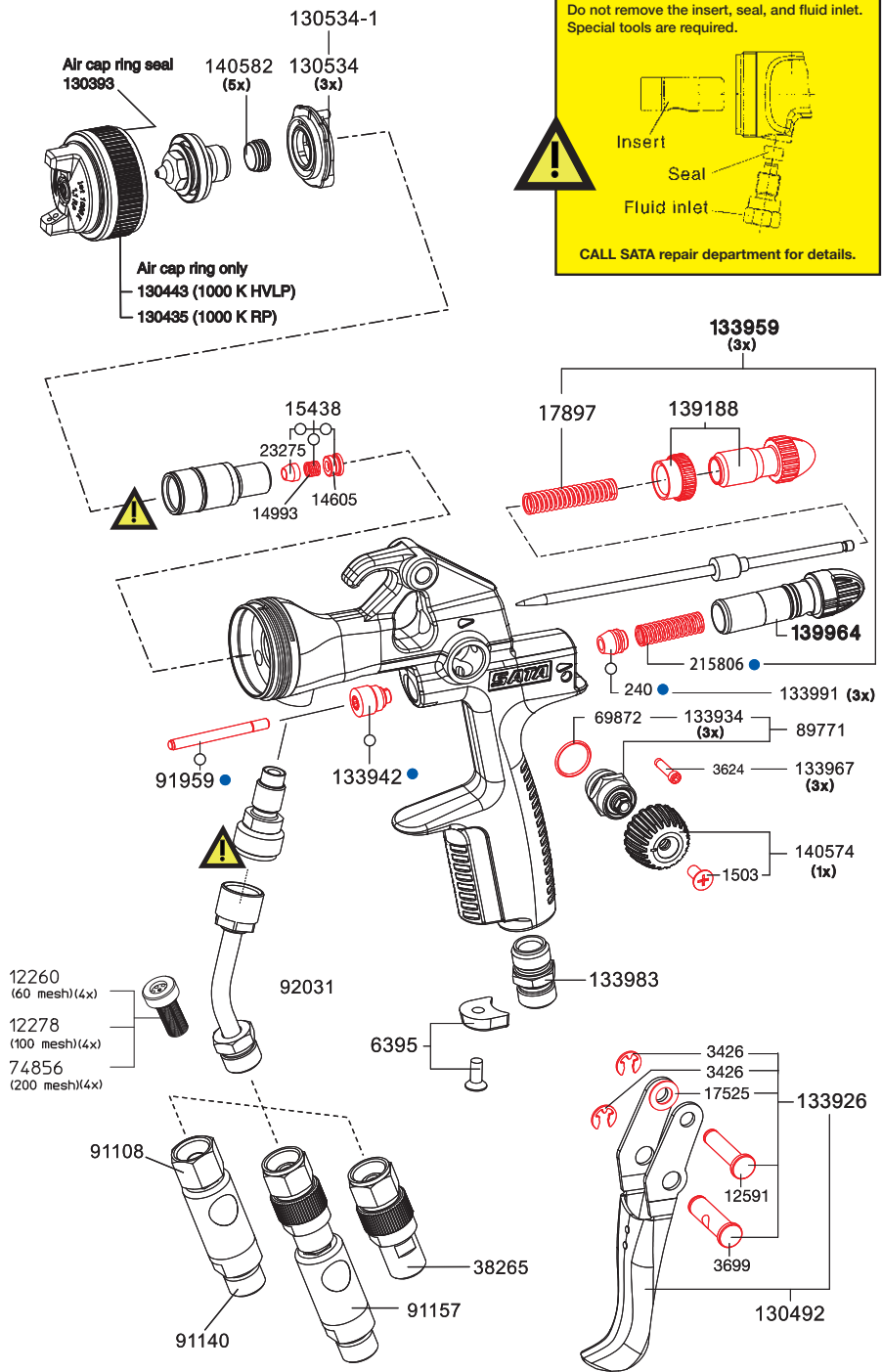
92031	SATA paint tube G 3/8" (female thread) - 3/8" (male thread) for SATA pressure fed spray guns
38265	SATA paint strainer 60 msh, G 3/8" (female thread) and 3/8" (male thread) for SATA pressure fed spray gun





Spare parts

SATAjet® 1000 K

240	Seal, air piston
901	Wrench, universal spanner
1503	Screw, fan control
3426	Circlip, pin
3509	Brush, large standard
3624	Pin, air micrometer
3699	Pin, lower trigger
6395	Disc, CC (standard), pk of 4
9647	Allen wrench, 4
12591	Pin, upper trigger
14605	Bushing, needle
14993	Spring, needle bushing
15438	Kit, needle packing
17525	Washer, tension spring
17897	Spring, needle
23275	Seal, needle
38265	Strainer, G3/8i-G3/8a, 60 mesh WA
64543	Allen wrench, 2
69872	O-ring, fan control
89771	Control, RH w/O-ring
91108	QC nipple only
91140	Material coupling w/plug-in nipple, mat. strainer 60 mesh, G3/8i-G3/8a
91157	Material coupling w/plug-in nipple and mat. strainer 60 mesh, G3/8i-G3/8a
91959	Air piston
92031	Paint pipe, for SATA pressure fed, G3/8i-G3/8a, waterborne
92577	Tool set
93526	Material connection 
130393	Seal, air cap ring
130435	Air cap ring only (RP)
130443	Air cap ring only (HVL P)
130484	Insert w/needle packing kit 
130492	Kit, trigger
130534	Ring, air distribution, pk of 3
130534-1	Ring, air distribution, each
130542	Kit, Repair, Jet 1000 K
133926	Kit, trigger sleeve
133934	O-ring, fan control, pk of 3
133942	Bushing, air piston
133959	Kit, spring, 3 each of #215806 & #17897
133967	Pin, air micrometer, pk of 3
133983	Fitting, air inlet, R ?
133991	Seal, air piston, pk of 3
139188	Kit, fluid control and lock nut
139964	Air micrometer, standard
140574	Knob, fan control w/screw
140582	Seal, fluid tip, pk of 5
143230	Air distribution ring (3 pk)
215806	Spring, air piston



Repair kit

-  130542 Repair kit
-  92759 Air piston service unit
-  183780 Sealing kit

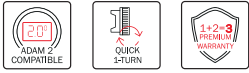
Tool kit

- 9050
 - Extraction tool
 - Paint strainer
 - Cleaning brush
 - Allen wrench 2 mm width
 - Allen wrench 4 mm width
 - Universal spanner
- 1097379
 - Universal key kit (pack of 3 pieces)



Errors, technical modifications and printing errors reserved.

SATAjet® 1000 K Specialty



Technical data:	RP D/DA/Slit	RP KK HKU
Inlet pressure	29 psi	29 psi
Air consumption	9.7 CFM @ 29 psi	14.5 CFM @ 36 psi
Spray distance	7 in - 9 in	
Material connection	3/8" male thread	

SATAjet® 1000 K RP D

The SATAjet 1000 K is available in a special version for the application of glues/adhesives with round fan. This nozzle set has a nozzle size of 1.6. Available with or without fan control

	1,6 D
Spray gun with round fan pattern D= Twist	
RP	161232
Spray gun Round fan pattern without air micrometer	
RP	158535
Nozzle set	
RP	159707

SATAjet® 1000 K RP DA

Dispersion adhesives

Modified nozzle version SATAjet 1000 K for the application of dispersion adhesives, optimized atomization of waterborne adhesives without overspray and settling of adhesives at the fluid tip

DA-R = Round spray only/fluid and fan lock-out, not pictured

	1,3	1,3 DA-R
Spray gun		
RP	211979	1004928
Nozzle set		
RP	211961	1004944

SATAjet® 1000 K Slit Nozzle

The SATAjet 1000 K RP slit nozzle is used for high viscosity material. In the construction trade it is used for spraying spatter for a textured finish.

	25/55°	3.0/55°	4.0/79°
Spray gun			
RP	154344	154351	154369
Nozzle set			
RP	154393	154401	154419

SATAjet® 1000 KK RP HKU

Undercoating

Spray gun with round fan nozzle for the SATA HKU barrel pump system. Air connection 1/4" thread.



Supplied complete with Type 1 #8359 material quick coupling for wands (material pipe not included, order separate)

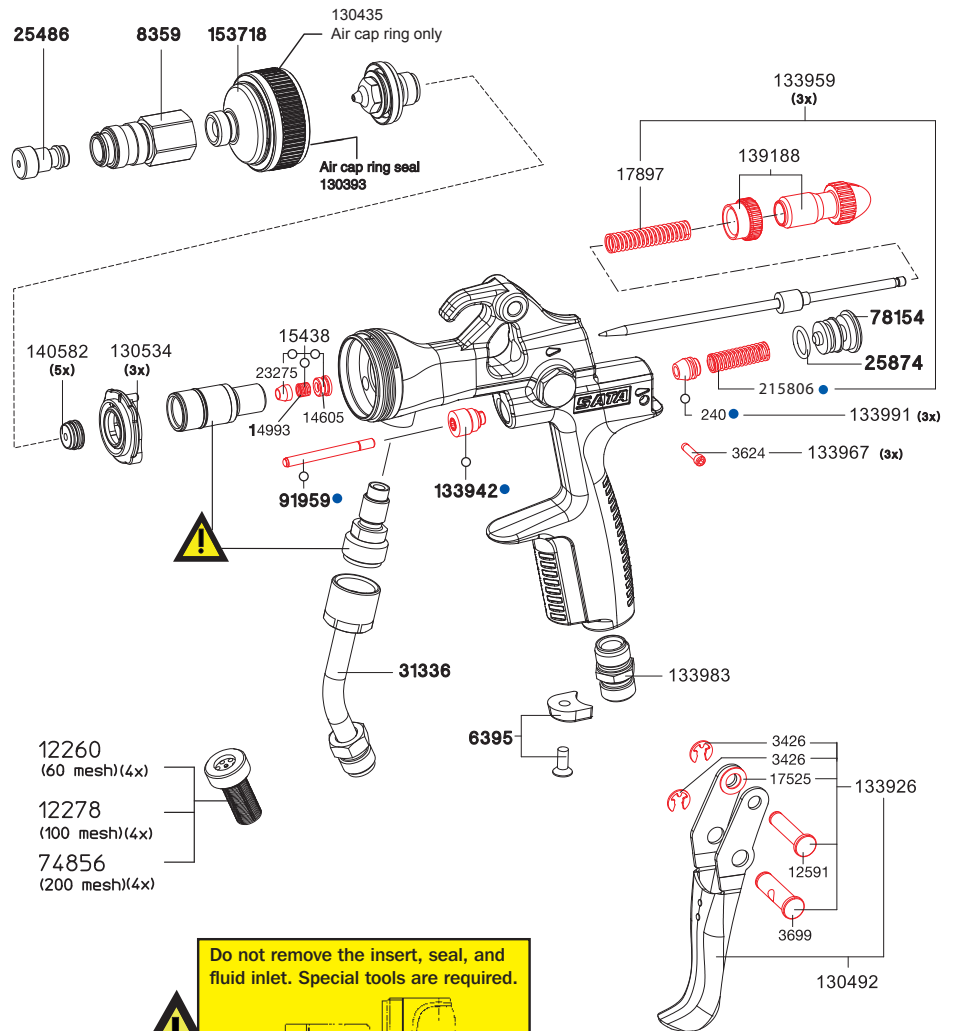
	1,5
Spray gun	
RP	153700



Errors, technical modifications and printing errors reserved.

Spare parts
SATAjet® 1000 K
Specialty

240	Seal, air piston
901	Wrench, universal spanner
3426	Circlip, pin
3509	Brush, large standard
3624	Pin, air micrometer
3699	Pin, lower trigger
6395	Disc, CC (standard), pk of 4
8359	Wand coupling, small, Type I
9647	Allen wrench, 4
12591	Pin, upper trigger
14605	Bushing, needle
14993	Spring, needle bushing
15438	Kit, needle packing
17525	Spring, spacer lock
17897	Spring, needle
23275	Seal, needle
25486	Round spray nozzle, Type I
25874	O Ring, 9 x 1.5, end cap
31336	Paint pipe, R 3/8 to 1/4 air hose
64543	Allen wrench, 2
78154	End plug
91959	Air piston
92577	Tool set
93526	Material connection 
130393	Seal, air cap ring
130435	Air cap ring only (RP)
130484	Insert w/ needle packing kit 
130492	Kit, trigger
130534	Ring, air distribution, pk of 3
1305341	Ring, air distribution, each
130542	Kit, Repair, Jet 1000 K
133926	Kit, trigger sleeve
133942	Bushing, air piston
133959	Kit, spring, 3 each of #215806 & #17897
133967	Pin, air micrometer, pk of 3
133983	Fitting, air inlet, R ?
133991	Seal, air piston, pk of 3
139188	Kit, fluid control and lock nut
140582	Seal, fluid tip, pk of 5
143230	Air distribution ring (3 pk)
153718	Mixing nozzle
215806	Spring, air piston



Errors, technical modifications and printing errors reserved.

Repair kit

- 130542
Repair kit
- 92759
Air piston service unit
- 183780
Sealing kit

Tool kit

- 9050
 - Extraction tool
 - Paint strainer
 - Cleaning brush
 - Allen wrench 2 mm width
 - Allen wrench 4 mm width
 - Universal spanner
- 1097379
Universal key kit (pack of 3 pieces)



SATAjet® 1000 H

RP®



Technical data:	RP
Inlet pressure	29 psi
Air consumption at 29 psi	9.7 CFM
Spray distance	7 in - 9 in



1,3	1,6	1,8	2,0
-----	-----	-----	-----

Standard with 1.0 l aluminium siphon cup without swivel joint

€ 161034	151266	151274	153353
----------	--------	--------	--------

Nozzle set

€ 161059	151613	151621	153379
----------	--------	--------	--------

154930 Standard with no nozzle set

Accessories for SATAjet H

188292 RPS Adapter No. 16 with QCC Connection thread G 3/8
To use for RPS siphon cup.



188482 RPS Siphon Kit, pins, suction hose, sieve, (for 0.3L cup), pack of 25

188516 RPS Siphon Kit, pins, suction hose, sieve, (for 0.3L cup), pack of 50

188490 RPS Siphon Kit, pins, suction hose, sieve, (for 0.6L cup), pack of 25

188524 RPS Siphon Kit, pins, suction hose, sieve, (for 0.6L cup), pack of 50

188508 RPS Siphon Kit, pins, suction hose, sieve, (for 0.9L cup), pack of 25

188532 RPS Siphon Kit, pins, suction hose, sieve, (for 0.9L cup), pack of 50





RPS siphon cup system, "H" guns only

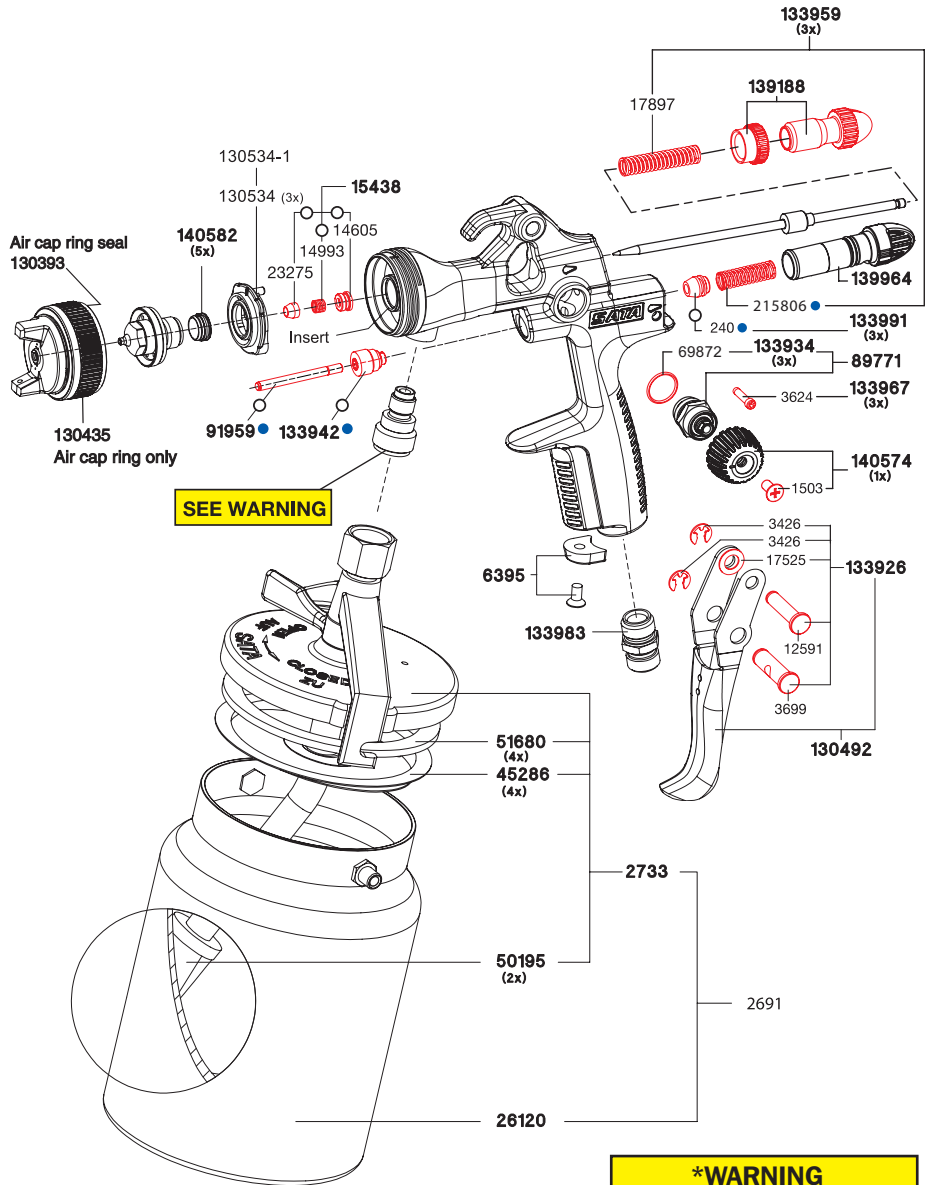
Errors, technical modifications and printing errors reserved.



Spare parts

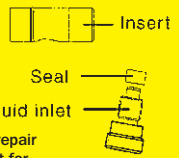
SATAjet® 1000 H

240	Seal, air piston
1503	Screw, fan control
2691	Alum. suction cup
2733	Lid fitting, complete with seal ring
3426	Circlip, pin
3624	Pin, air micrometer
3699	Pin, lower trigger
6395	Disc, CC (standard), pk of 4
9050	Tool Kit
12591	Pin, upper trigger
14605	Bushing, needle
14993	Spring, needle bushing
15438	Kit, needle packing
17525	Spring, spacer lock
17897	Spring, needle
23275	Seal, needle
26120	1 L Alum. suction cup wo/lid, w/rivets
38265	Material filter, R 3/8
45286	Non-drip device for suction cup, 4 pk
50195	Sieve for suction cup, 2 pk
51680	Gasket rings for suction cup, 4 pk
69872	O Ring, fan control
89771	Control, RH w/O-Ring
91140	QC w/nipple
91157	QC w/filter and nipple
91959	Air piston
92031	Paint pipe, R 3/8
92577	Tool set
93526	Material connection 
130393	Seal, air cap ring
130435	Air cap ring only (RP)
130484	Insert w/needle packing kit 
130492	Kit, trigger
130534	Ring, air distribution, pk of 3
130534-1	Ring, air distribution, each
130542	Repair Kit, Jet 1000 K
133926	Kit, trigger sleeve
133934	O Ring, fan control, pk of 3
133942	Bushing, air piston
133959	Kit, spring, 3 ea. of #215806 & #17897
133967	Pin, air micrometer, pk of 3
133983	Fitting, air inlet, R ?
133991	Seal, air piston, pk of 3
139188	Kit, fluid control and lock nut
139964	Air micrometer, standard
140574	Knob, fan control w/screw
140582	Seal, fluid tip, pk of 5
183780	Sealing kit
215806	Spring, air piston



***WARNING**

Do not remove the insert, seal, and fluid inlet. Special tools are required.



CALL SATA repair department for details.

Tool kit

- 9050
 - Extraction tool
 - Paint strainer
 - Cleaning brush
 - Allen wrench 2 mm width
 - Allen wrench 4 mm width
 - Universal spanner
- 1097379
 - Universal key kit (pack of 3 pieces)



Repair kit

- 130542
 - Repair kit
- 92759
 - Air piston service unit
- 183780
 - Sealing kit

Errors, technical modifications and printing errors reserved.

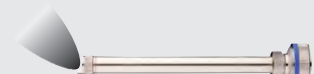
Extensions SATAJet® 1000 B/K RP®

Extensions

154435	20 cm - Straight Extension SATAJet 1000 K RP 1.5 round/flat fan
154443	30 cm - Straight Extension SATAJet 1000 K RP 1.5 round/flat fan
154450	40 cm - Straight Extension SATAJet 1000 K RP 1.5 round/flat fan
154427-60	60 cm - Straight Extension SATAJet 1000 K RP 1.5 round/flat fan
154427-90	90 cm - Straight Extension SATAJet 1000 K RP 1.5 round/flat fan
154427-120	120 cm - Straight Extension SATAJet 1000 K RP 1.5 round/flat fan



154476	20 cm - 45° Diagonal spray extension SATAJet 1000 K RP 1.6
154484	30 cm - 45° Diagonal spray extension SATAJet 1000 K RP 1.6
154492	40 cm - 45° Diagonal spray extension SATAJet 1000 K RP 1.6
154468-60	60 cm - 45° Diagonal spray extension SATAJet 1000 K RP 1.6
154468-90	90 cm - 45° Diagonal spray extension SATAJet 1000 K RP 1.6
154468-120	120 cm - 45° Diagonal spray extension SATAJet 1000 K RP 1.6



154518	20 cm - 360° Internal mixing extension SATAJet 1000 K RP 1.6
154526	30 cm - 360° Internal mixing extension SATAJet 1000 K RP 1.6
154534	40 cm - 360° Internal mixing extension SATAJet 1000 K RP 1.6
154500-60	60 cm - 360° Internal mixing extension SATAJet 1000 K RP 1.6
154500-90	90 cm - 360° Internal mixing extension SATAJet 1000 K RP 1.6
154500-120	120 cm - 360° Internal mixing extension SATAJet 1000 K RP 1.6



154559	20 cm - 90° Angular head extension SATAJet 1000 K RP 1.6
154567	30 cm - 90° Angular head extension SATAJet 1000 K RP 1.6
154575	40 cm - 90° Angular head extension SATAJet 1000 K RP 1.6
154542-60	60 cm - 90° Angular head extension SATAJet 1000 K RP 1.6
154542-90	90 cm - 90° Angular head extension SATAJet 1000 K RP 1.6
154542-120	120 cm - 90° Angular head extension SATAJet 1000 K RP 1.6



Extensions SATAJet 1000 A RP

164293	20 cm - 45° Diagonal spray extension SATAJet 1000 A RP 1.6
164301	30 cm - 45° Diagonal spray extension SATAJet 1000 A RP 1.6
Call	40 cm - 45° Diagonal spray extension SATAJet 1000 A RP 1.6



164277	20 cm - 360° Internal mixing extension SATAJet 1000 A RP 1.6
164285	30 cm - 360° Internal mixing extension SATAJet 1000 A RP 1.6
Call	40 cm - 360° Internal mixing extension SATAJet 1000 A RP 1.6



Extensions SATAJet 1000 B RP

178533	Extension with diagonal spray nozzle (30°), swivelling, 40 cm with nozzle set 1.6 RP for SATAJet 1000 B RP
185520	Extension with diagonal spray nozzle (30°), swivelling, 20 cm with nozzle set 1.6 RP for SATAJet 1000 B RP, preferably with BVD pressurized cup



Additional SATAJet 1000 B Extensions available: Straight ahead 0°, Angular 90°, Rotary 360°- Special Order Items only. Call for more info.

▶ Custom-made versions for extension upon request!

Spray gun without nozzle set for extensions

154930	SATAJet 1000K RP without nozzle set material connection 3/8" (male thread)
--------	--

Spare Parts

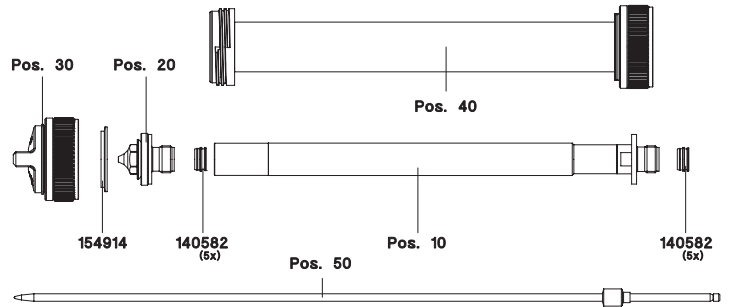
SATAJet® 1000 RP nozzle extensions

SATAJet 1000 K

Straight Nozzle Extension

140582	Seal, fluid tip, pk of 5
154914	Sealing ring

Ext. No.	Length	Pos 10	Pos 20	Pos 30	Pos 40	Pos 50
154435	20cm	154880	139071	139477	154716	154807
154443	30cm	154896	139071	139477	154724	154815
154450	40cm	154906	139071	139477	154732	154823



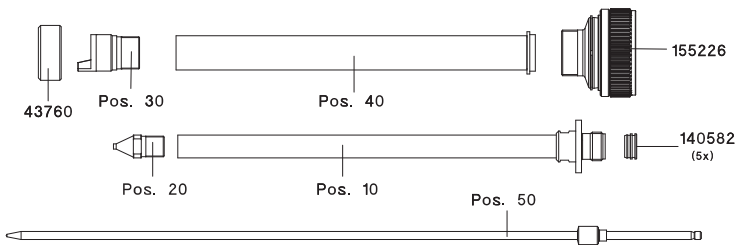
SATAJet 1000 K & A

45° Nozzle Extension

43760	Tightening ring
140582	Seal, fluid tip, pk of 5
155226	Flange sleeve

SATAJet 1000 K

Ext. No.	Length	Pos 10	Pos 20	Pos 30	Pos 40	Pos 50
154476	20cm	155184	24158	24141	24182	155267
154484	30cm	155192	24158	24141	4432	155275
154492	40cm	155200	24158	24141	4531	155283



Automatic spray guns

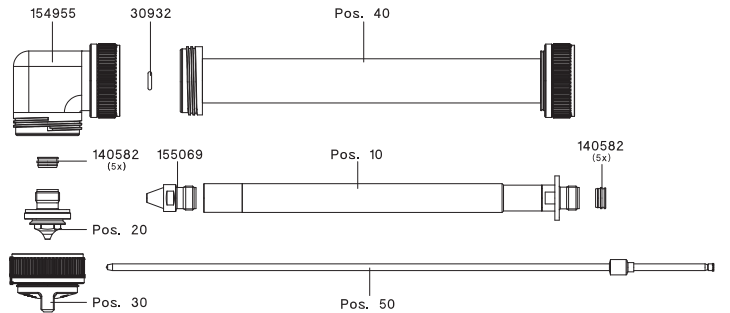
Ext. No.	Length	Pos 10	Pos 20	Pos 30	Pos 40	Pos 50
164293	20cm	155184	24158	24141	24182	46490
164301	30cm	155192	24158	24141	4432	47100
	40cm	155200	24158	24141	4531	47688

SATAJet 1000 K

90° Nozzle Extension

30932	O-ring
140582	Seal, fluid tip, pk of 5
154955	Angular head
155099	Fluid tip 3.0

Ext. No.	Length	Pos 10	Pos 20	Pos 30	Pos 40	Pos 50
154559	20cm	155036	139071	139477	154971	155101
154567	30cm	155044	139071	139477	154989	155119
154575	40cm	155051	139071	139477	154997	155127



SATAJet 1000 K & A

360° Nozzle Extension

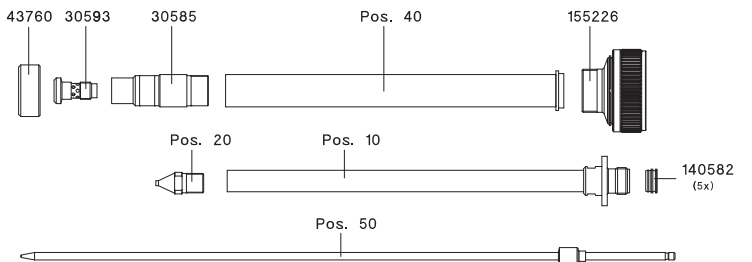
30585	Plate-shaped internal mixing nozzle
30593	Nozzle screw
43760	Tightening ring
140582	Seal, fluid tip, pk of 5
155226	Flange sleeve

SATAJet 1000 K

Ext. No.	Length	Pos 10	Pos 20	Pos 40	Pos 50
154518	20cm	155184	24158	24182	155267
154526	30cm	155192	24158	4432	155275
154534	40cm	155200	24158	4531	155283

Automatic spray guns

Ext. No.	Length	Pos 10	Pos 20	Pos 40	Pos 50
164277	20cm	155184	24158	24182	46490
164285	30cm	155192	24158	4432	47100
	40cm	155200	24158	4531	47688



Errors, technical modifications and printing errors reserved.

SATAmijet® 1000 K

RP® /HVLP



Technical data:	RP	HVLP
Inlet pressure:	36 psi	29 psi
Air consumption at 36 psi	7 CFM	4.2 CFM
Spray distance:	6 in - 8 in	4 in - 6 in
Material connection:	G1/4" male thread	

	0,3	0,5	0,8	1,0	1,2	1,4
Spray gun						
RP	187450	187468	187476	187484	187492	197152
HVLP	190280	190298	190306	190314	190322	-
Nozzle set						
RP	187625	187633	187641	187658	187666	197160
HVLP	190348	190355	190363	190371	190389	-
Test Air Cap						
RP	204867					
HVLP	204875					

Required Accessories

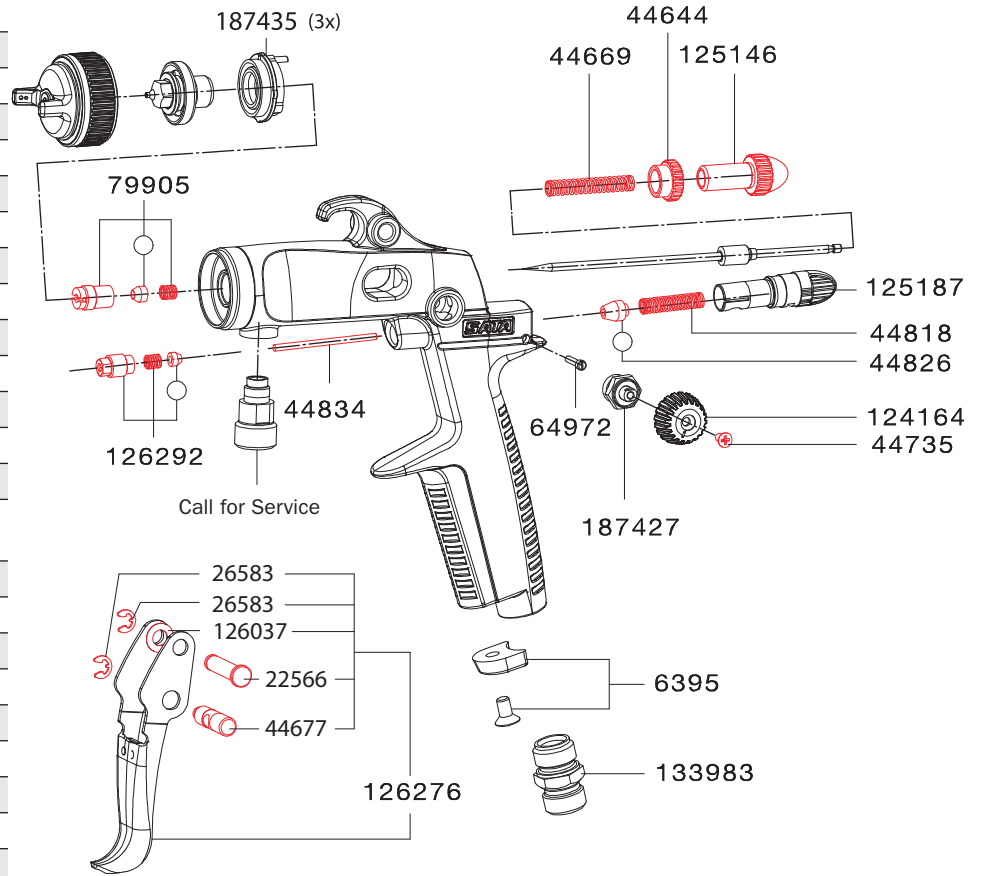
187419 SATA paint pipe G 1/4 female thread - 1/4" male thread	
187690 SATA material filter 60 mesh, G 1/4" female thread, - G 1/4 male thread	
199018 SATA paint pipe G 1/4" (female thread) - 3/8" (male thread)	
191551 Adapter, G 1/4 female and G 3/8 male material connection	

▶ Further accessories see pages 67|69.

Spare parts

SATAmijet® 1000 K

6395	ColorCode discs, pk of 4
22566	Pin, upper trigger
26583	Circlip
44644	Lock nut
44669	Spring, needle
44677	Pin, lower trigger
44735	Screw, fan control
44818	Spring, air piston
44826	Packing, air piston
44834	Air piston
44842	Bushing, needle packing
44859	Packing, needle
50658	Packing set, minijet
62810	Piston packing
68809	Spring, needle packing
79905	Needle packing service set
92031	Paint pipe for pressure fed, G3/8i - G3/8a, 60 mesh, WA
124164	Knob, fan control
125112	Snap ring (air cap ring)
125146	Knob, fluid control
125187	Air micrometer
125377	Bushing, air piston
125492	Trigger
125856	Tool set
126037	Washer, tension spring
126276	Trigger service set
187419	Paint pipe, SS, G1/4-G1/4
187427	Fan control
187435	Air distribution ring, pack of 3
191551	Adapter, G1/4 male x G3/8 male
199018	Paint pipe, SS, G1/4-G3/8



Call for Service

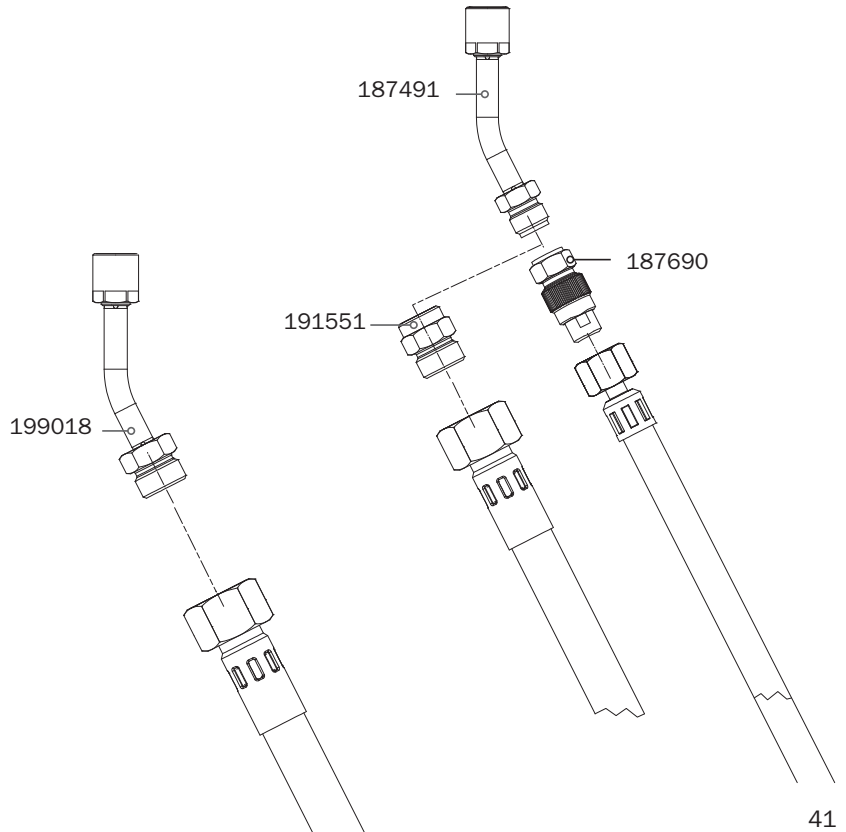
Repair kit

126284
Repair kit

50658
Sealing kit

Tool kit

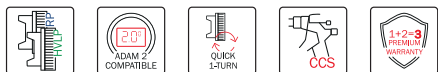
- 125856
- Extraction tool
 - Cleaning brush
 - Wrench
 - Universal spanner



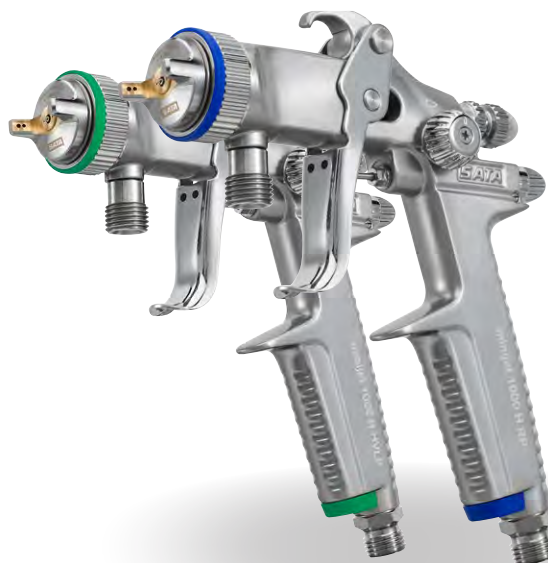
Errors, technical modifications and printing errors reserved.

SATAmijet® 1000 H

RP® /HVLP



Technical data:	RP	HVLP
Inlet pressure:	36 psi	29 psi
Air consumption	7 CFM @ 36 psi	4.1 CFM @29 psi
Spray distance:	6 in - 8 in	4 in - 6 in
Material connection:	G1/4" male thread	



1,4	1,4ST
-----	-------

Spray gun

	RP	HVLP
Part Number	187682	191502
Availability	CALL	-

Nozzle set

	RP	HVLP
Part Number	187674	191494
Accessories	*202036	-

Accessories for SATAjet 1000

188318 RPS Adapter No. 17 with QCC Connection thread G 1/4
To use for RPS siphon cup.



188482 RPS Siphon Kit, pins, suction hose, sieve, (for 0.3L cup),pack of 25

188516 RPS Siphon Kit, pins, suction hose, sieve, (for 0.3L cup), pack of 50

188490 RPS Siphon Kit, pins, suction hose, sieve, (for 0.6L cup), pack of 25

188524 RPS Siphon Kit, pins, suction hose, sieve, (for 0.6L cup), pack of 50

188508 RPS Siphon Kit, pins, suction hose, sieve, (for 0.9L cup), pack of 25

188532 RPS Siphon Kit, pins, suction hose, sieve, (for 0.9L cup), pack of 50



RPS siphon cup system, "H" guns only

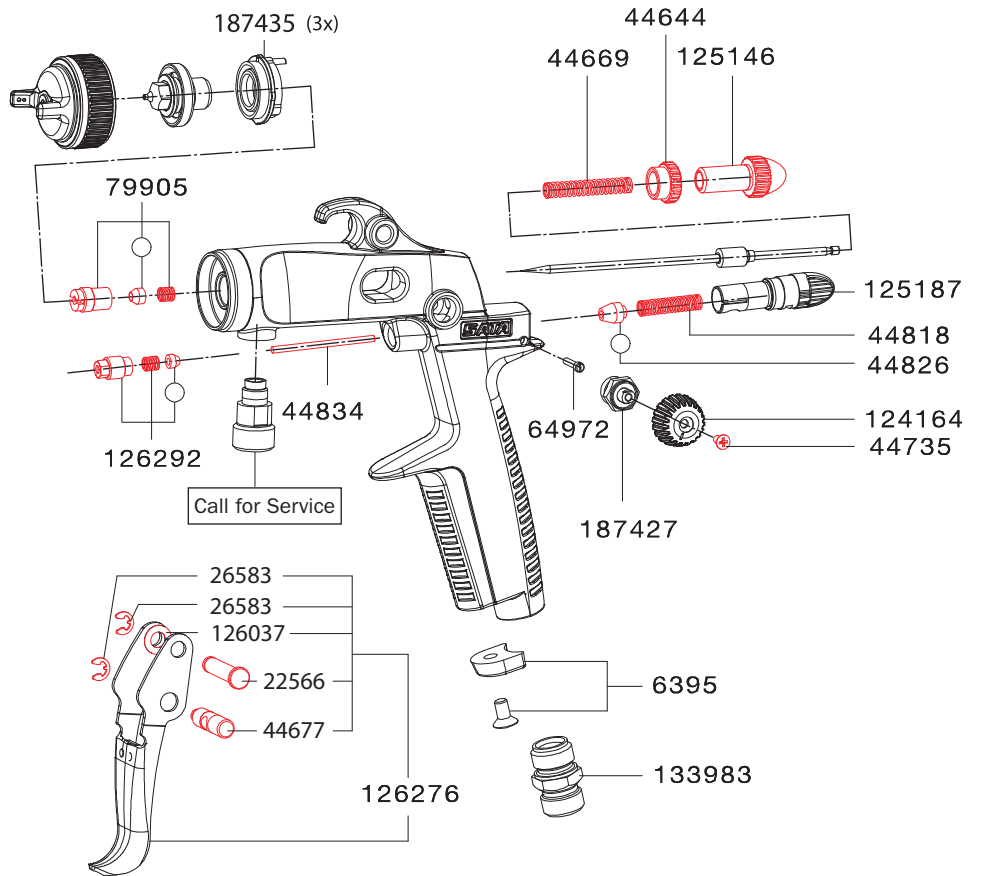
Errors, technical modifications and printing errors reserved.



Spare parts

SATAmijnjet® 1000 H

6395	ColorCode discs, pk of 4
22566	Pin, upper trigger
26583	Circlip
44644	Lock nut
44669	Spring, needle
44677	Pin, lower trigger
44735	Screw, fan control
44818	Spring, air piston
44826	Packing, air piston
44834	Air piston
44842	Bushing, needle packing
44859	Packing, needle
50658	Packing set, minijet
62810	Piston packing
68809	Spring, needle packing
79905	Needle packing service set
124164	Knob, fan control
125112	Snap ring (air cap ring)
125146	Knob, fluid control
125187	Air micrometer
125377	Bushing, air piston
125492	Trigger
125856	Tool set
126037	Washer, tension spring
126276	Trigger service set
187427	Fan control
187435	Air distribution ring, pack of 3



Errors, technical modifications and printing errors reserved.

Tool kit

- 125856
 - Extraction tool
 - Cleaning brush
 - Wrench
 - Universal spanner



Repair kit

- 126284
 - Repair kit
- 50658
 - Sealing kit

SATAjet® 20 B



Technical data:

Inlet pressure:	15 psi
Air consumption at 15 psi	1.4 CFM
Spray distance:	variable



0,2 fineline	0,2	0,35	0,35**	0,5	0,8	1,0
Spray gun with 65 ccm plastic cup						
189035	65078	65581	-	65649	66316	69229
Spray gun with 1 plug-in cap and 4 blind cups, including adapter						
CALL	86181	86199		86207	86215	86223
Nozzle set						
189043	60459	60640	202515**	61200	61341	61523

** Lifetime prolonging surface treatment

SATAjet 20 B design set

90381
 SATAjet 20 B design set 0.5 with accessories in case
 Contains: various cup versions such as plastic cup, plug-in cup, glass cup, cleaning kit, SATA air micrometer with pressure gauge, spray gun stand, tool kit, nozzle set, PVC compressed air hose.



▶ Completely assembled air hoses see page 160.

Required Accessories

69328
 Gun holder, gravity or siphon cup



53033 Plug-in cups, pack of 5, w/siphon lid
 58164 Plain cups, pack of 5, w/blind caps
 125963 Plug-in cup adapter & set of 5 plug-in cups, 20 B & MiniJet 3000 B



125955
 QCC Plug-in cup adapter 20 B MiniJet 3000 B

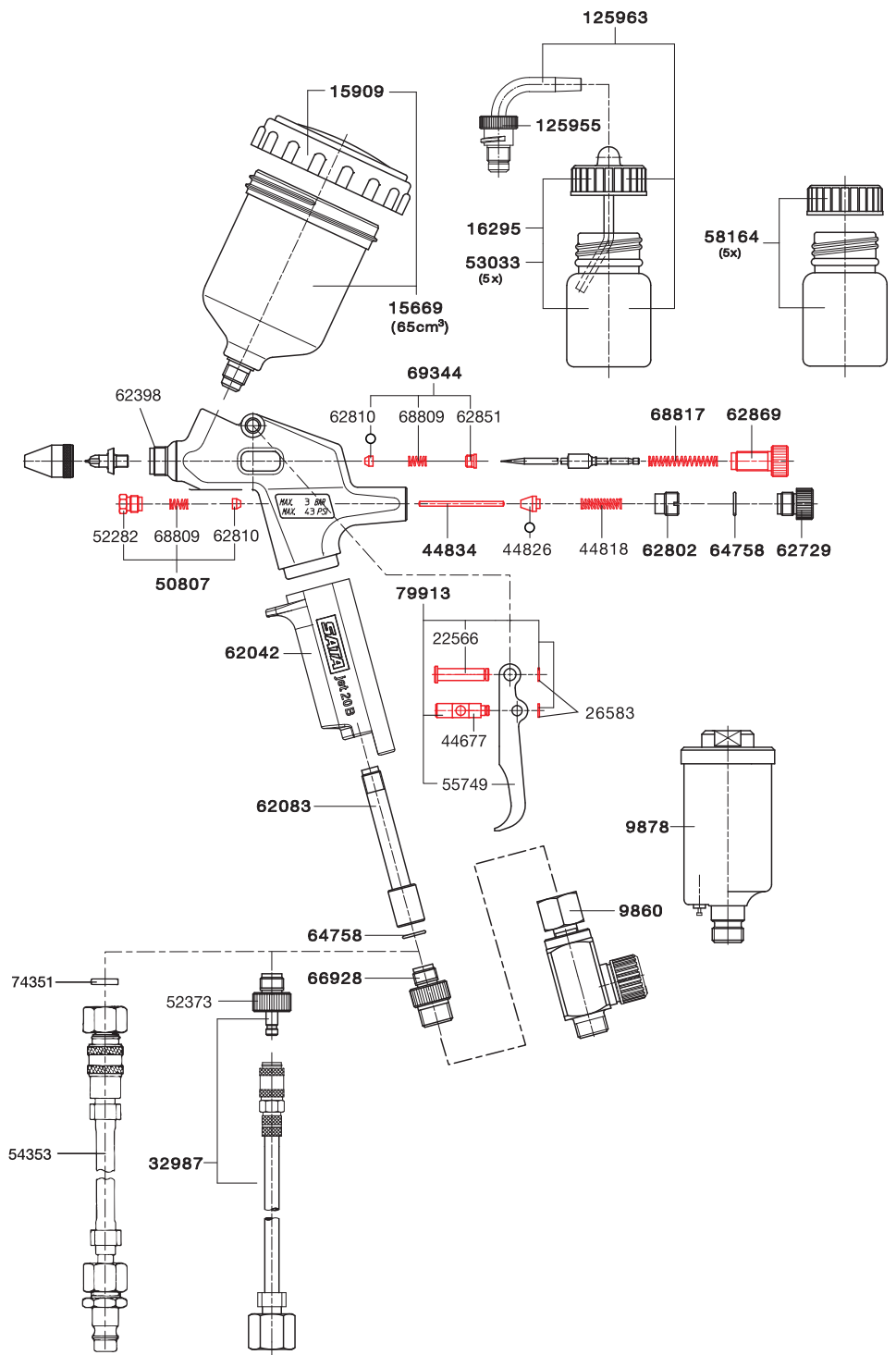


Errors, technical modifications and printing errors reserved.

Spare parts

SATAjet® 20 B

3509	Cleaning brush
6007	Standard cleaning brush, pk of 10
9860	Air micrometer without gauge
9878	Mini water separator
15669	65cc plastic gravity cup
15909	65cc cup lid
15925	Spanner wrench
16295	25 ml plug-in cup, complete
32987	Air hose, PVC, w/QC nipple
22566	Pin, upper trigger
26583	Circlip
44677	Pin, lower trigger
44818	Spring, air piston
44826	Packing, air piston
44834	Air piston
50807	Air piston service set
52282	Bushing, air piston
52373	QC nipple
53033	25 ml plug-in cup, pk of 5
54353	Air hose, PVC, 2m, w/ fittings
55749	Trigger
58164	25 ml glass cup, pk of 5
62042	Spray gun handle
62083	Air tube
62398	Nozzle spindle
62729	End screw
62802	Compression bushing
62810	Needle packing
62851	Needle bushing
62869	Knob, fluid control
64758	O ring, 8x1
66928	Air inlet fitting
68809	Spring, needle packing
68817	Spring, needle
69344	Needle packing service set
69427	Packing set, SATAjet 20 B
70326	Allen wrench
74351	Gasket, air hose
79913	Trigger service set
91165	Repair kit, SATAjet 20 B
125955	Plug-in cup connection
125963	Plug-in cup set, connection adapter, 5 glass cups 25cm, 1 plug-in lid, 4 blind lids



Tool kit

- 9373
- Cleaning brush
- Universal spanner
- Hexagonal screwdriver



Repair kit

- 91165
- Repair kit
- 69427
- Sealing kit

SATAgraph™ 1/2/3



Technical data:

Inlet pressure:	variable
Air consumption:	0.4 CFM
Spray distance:	variable

SATAgraph 1 - The Starter Model (each with aluminium case)

134544	SATAgraph 1 0.25 with 2.5 ml gravity flow cup, without hose
136069	SATAgraph 1 0.45 with 2.5 ml gravity flow cup, without hose
139568	SATAgraph 1 0.25 with 5 ml suction cup, in aluminium case, without hose
141408	SATAgraph 1 0.45 with 5 ml suction cup, in aluminium case, without hose



Nozzle set

0,25	0,45
134619	134635

SATAgraph 2 - The Universal Airbrush (each with aluminium case)

135079	SATAgraph 2 0.20 with 4.0 ml gravity flow cup, 15.0 ml siphon cup, without hose
134536	SATAgraph 2 0.25 with 4.0 ml gravity flow cup, 15.0 ml siphon cup, without hose



Nozzle set

0,20	0,25
123448	31476

SATAgraph 3 - Premium Airbrush for Professionals (each with aluminium case)

136077	SATAgraph 3 0.15 with 2.5 ml gravity flow cup, without hose
123430	SATAgraph 3 0.20 with 4.0 ml gravity flow cup, 15.0 ml siphon cup, and 3m PVC air hose
5082	SATAgraph 3 0.25 with 4.0 ml gravity flow cup, 15.0 ml siphon cup, and 3m PVC air hose
134569	SATAgraph 3 0.25 with 2.5 ml gravity flow cup, without hose
136085	SATAgraph 3 0.45 with 2.5 ml gravity flow cup, without hose
134585	SATAgraph 3 0.25 with 5 ml siphon cup, without hose
136093	SATAgraph 3 0.45 with 5 ml siphon cup, without hose
136101	SATAgraph 3 0.65 with 5 ml siphon cup, without hose



Nozzle set

0,15	0,25	0,45	0,65
134643	134650	134668	134676

Spare Parts SATAgaph 1

32615
coupling nipple, Pk of 3
134767
2.5 ml gravity flow cup w/ lid
134775
5.0 ml gravity flow cup w/ lid
134783
5.0 ml siphon cup w/ lid
134809
Trigger
134825
Grip end piece
138909
O-ring kit for paint nozzle (5-pieces)
142638
O-ring kit for gravity flow cup (5-pieces)

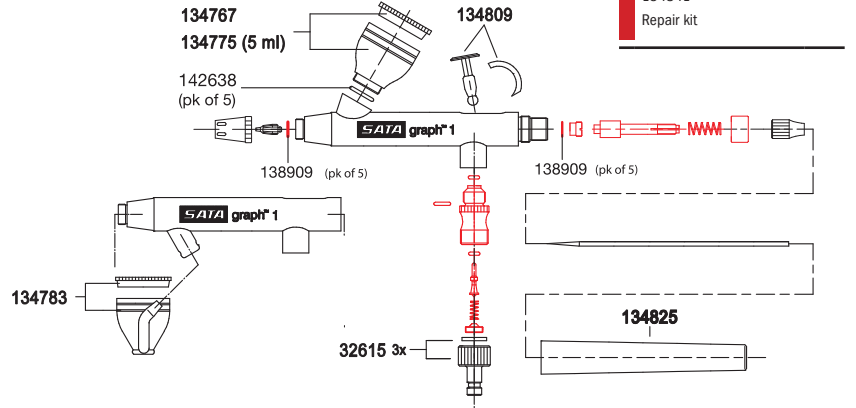
SATAgaph 2

31781
4.0 ml gravity flow cup w/ 3 plastic lids
32029
Plastic lids for 4.0 ml gravity flow cup, pk of 3
32615
pk of 3 coupling nipples
33001
Grip / end piece
33019
15 ml glass cup w/ lid and suction pipe
33092
15 ml glass cups, 5 closing lids and 1 lid with suction pipe, pk of 5
35964
Needle cap
36020
Trigger
138909
O-ring kit for paint nozzle (5-pieces)

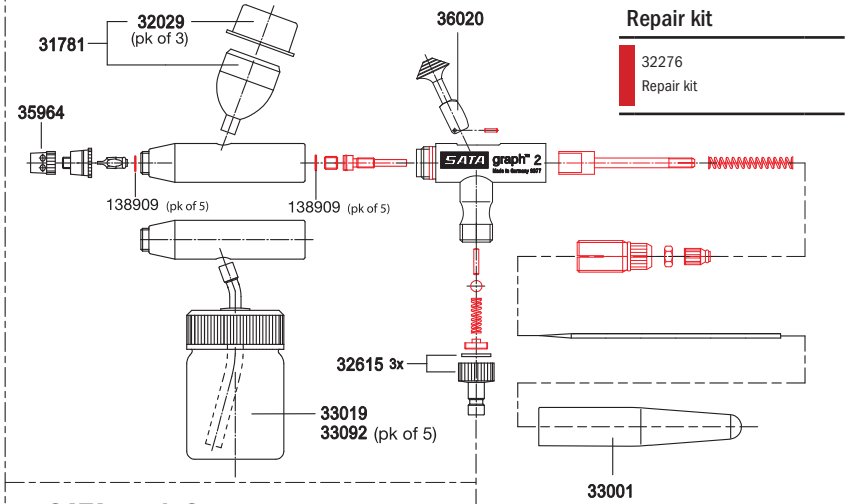
SATAgaph 3

32615
pk of 3 coupling nipples
134767
2.5 ml gravity flow cup w/ lid
134775
5.0 ml gravity flow cup w/ lid
134783
5.0 ml siphon cup w/ lid
134817
Needle cap
134833
Grip end piece, cpl.
134957
Trigger
138909
O-ring kit for paint nozzle (5-pieces)
142638
O-ring kit for gravity flow cups (5-pieces)

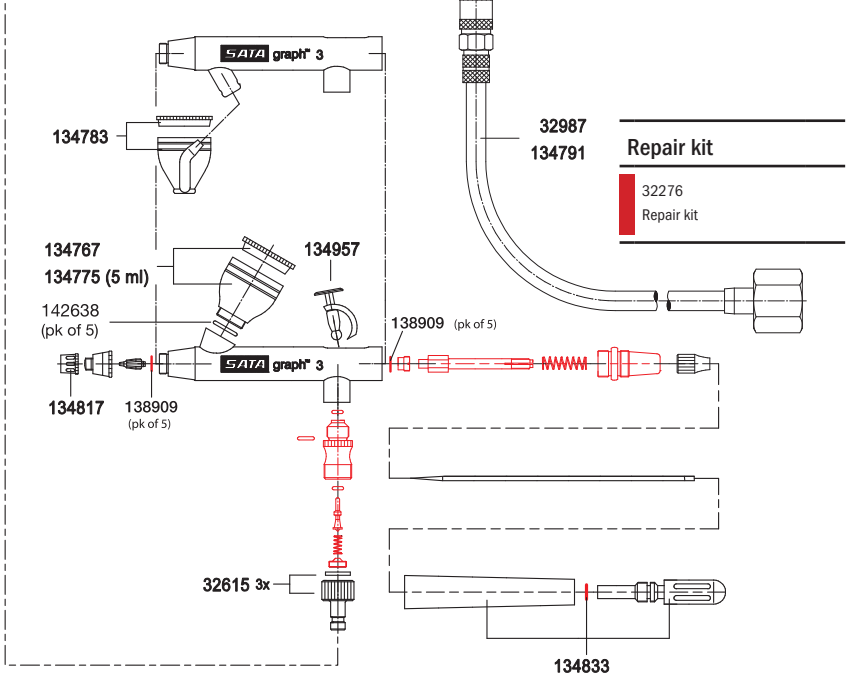
SATAgaph 1



SATAgaph 2



SATAgaph 3



SATAgraph™ 4

Technical data:

Inlet pressure:	variable
Air consumption:	0.4 CFM
Spray distance:	variable



SATAgraph 4 B* - Universal airbrush gun (each with aluminum case)

S004B

SATAgraph 4 nozzle 0.4 with 2.5 ml gravity cup, no air hose

S004S

SATAgraph 4 nozzle 0.4 with 2.5 ml side feed cup, no air hose

S004H

SATAgraph 4 nozzle 0.4 with 2.5 ml siphon feed, no air hose



Nozzle set

0,4	
S005	

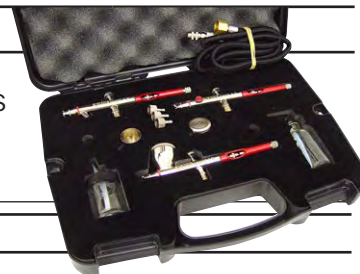
- * SATAgraph 4 is supplied without hoses and quick coupling nipple.
These components have to be ordered separately (see spare parts)

▶ Air hose for design spray guns see page 168.

SATAgraph 4* B, S, H Kit

S004HBS

SATAgraph 4, 3 gun kit includes all 3 SATAgraph 4 airbrushes, 0,4 nozzle, S004B, S004S and S004H, also included is a (1) S032, 3/4 oz glass jar with siphon lid, (1) S039, 1 oz. glass cup with side feed lid, (1) S045, 6 ft braided hose with quick disconnect, (3) Quick connect plug/fittings, female, (1) foam padded case with handle



Nozzle set

0,4	
S005	

New Fine Detail Needle and Nozzle

S058	Detail Needle/Nozzle, for even finer detail, 0.25
S057	Detail Nozzle Tip
S056	Detail Airbrush Needle, 0.25
S055	Detail Refurbish Kit (S003, S004, S056, S057)
S054	High Roller Trigger only
S059	Concave Trigger only

Spare parts

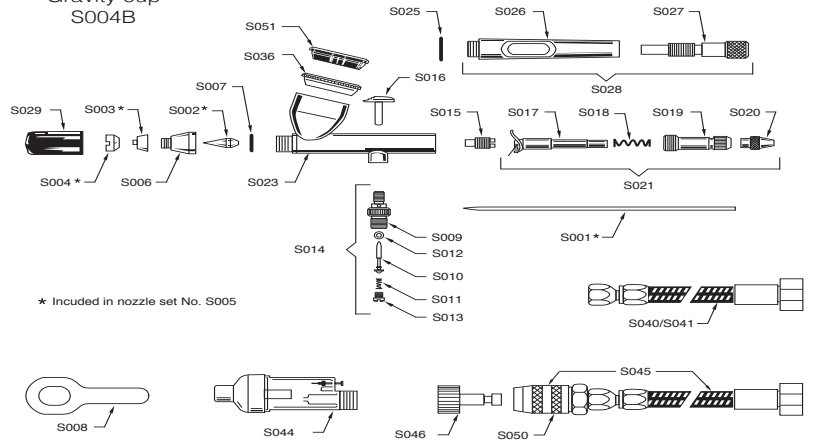
SATAgaph™ 4

S001	Airbrush needle, 0.40
S002	Nozzle tip (fluid tip)
S003	Nozzle cap (inner air cap)
S004	Nozzle cap shield (outer aircap nozzle shield reversible)
S005	Needle/nozzle refurbish kit (includes 001, 002, 003, 004)
S006	Nozzle base
S007	O-ring, nozzle base
S008	Nozzle base wrench
S009	Air valve chamber
S010	Trigger valve stem
S011	Trigger valve spring
S012	Air valve seal / o-ring
S013	Air valve screw
S014	Complete air valve assembly (includes 009, 010, 011, 012, 013)
S015	Inner seal screw and O-ring (gravity and side cup models)
S016	Airbrush trigger
S017	Needle alignment tube and lever assembly
S018	Needle tube spring
S019	Spring tension adjustment knob
S020	Needle locking nut
S021	Needle alignment and adjustment assembly (includes 017, 018, 019, 020)
S022	Bottom (siphon) feed airbrush body
S023	Gravity feed airbrush body
S024	Side feed airbrush body
S025	O-ring, airbrush handle
S026	Trigger stop set handle, red
S027	Trigger stop set screw
S028	Trigger stop set handle and screw (includes 026, 027)
S029	Protective nozzle cover
S030	Siphon lid, metal, fits 3/4 oz. glass cup
S031	3/4 oz. glass cup w/blank storage lid for (S)
S032	3/4 oz. glass cup w/siphon lid for (S) metal lid
S033	1/4 oz. color cup (siphon cup-metal)
S034	Side feed metal color cup
S035	Side feed inlet plug, red
S036	Lid, metal, for side (S) and gravity (B) feed color cup
S037	Lid, metal side feed lid for 1 oz. glass cup
S038	1 oz. glass cup w/blank metal storage lid
S039	1 oz. glass cup with metal side feed lid
S040	6 foot braided air hose 1/8 inch X 1/4"
S041	10 foot braided air hose 1/8" X 1/4"
S042	6 foot braided air hose w/ moisture trap
S043	10 foot braided air hose w/ moisture trap
S044	In-line moisture trap
S045	8 foot quick dis-connect braided air hose
S046	Quick disconnect plug/fitting, female
S047	Siphon lid, plastic, fits 3/4 oz. glass cup
S048	3/4 oz. glass cup w/siphon lid for (H) plastic lid
S049	Pvc lid for 1/4 oz metal siphon color cup
S050	Quick dis-connect air coupler, male
S051	PVC color cup lid Gravity (B) and Side (S).
S054	High roller trigger
S055	Detail Nozzle Set (incl 003, 004, 056, 057)
S056	Detail Airbrush Needle, 0.25
S057	Detail Fluid Tip
S058	Detail Needle/Fluid Tip, for even finer detail, 0.25
S059	concave Trigger only
S004B	SATAgaph 4 B Gravity feed airbrush
S004S	SATAgaph 4 S Side-feed airbrush
S004H	SATAgaph 4 H Bottom-feed siphon airbrush

Errors, technical modifications and printing errors reserved.

SATAgaph 4 B

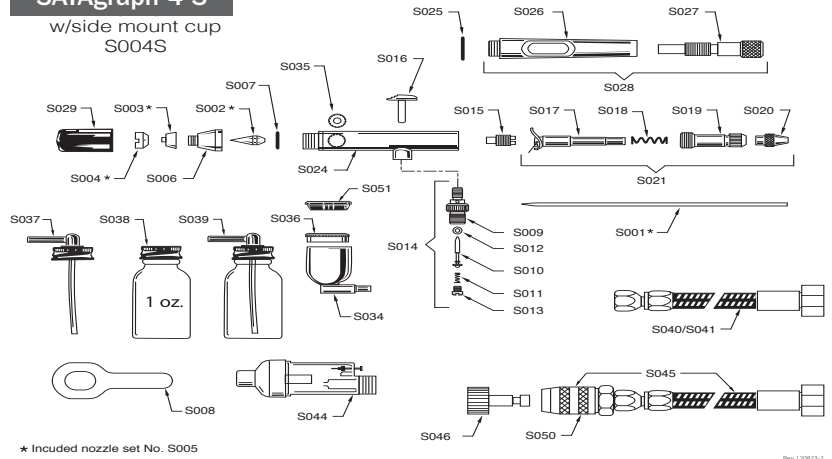
Gravity cup
S004B



Rev 1.20823.2

SATAgaph 4 S

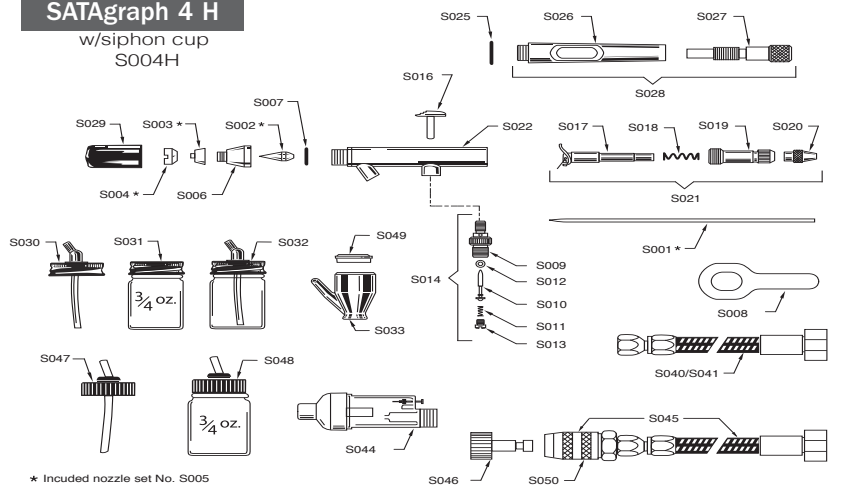
w/side mount cup
S004S



Rev 1.20823.2

SATAgaph 4 H

w/siphon cup
S004H



Rev 1.20823.1

Spare parts for SATA spray guns with gravity flow cup

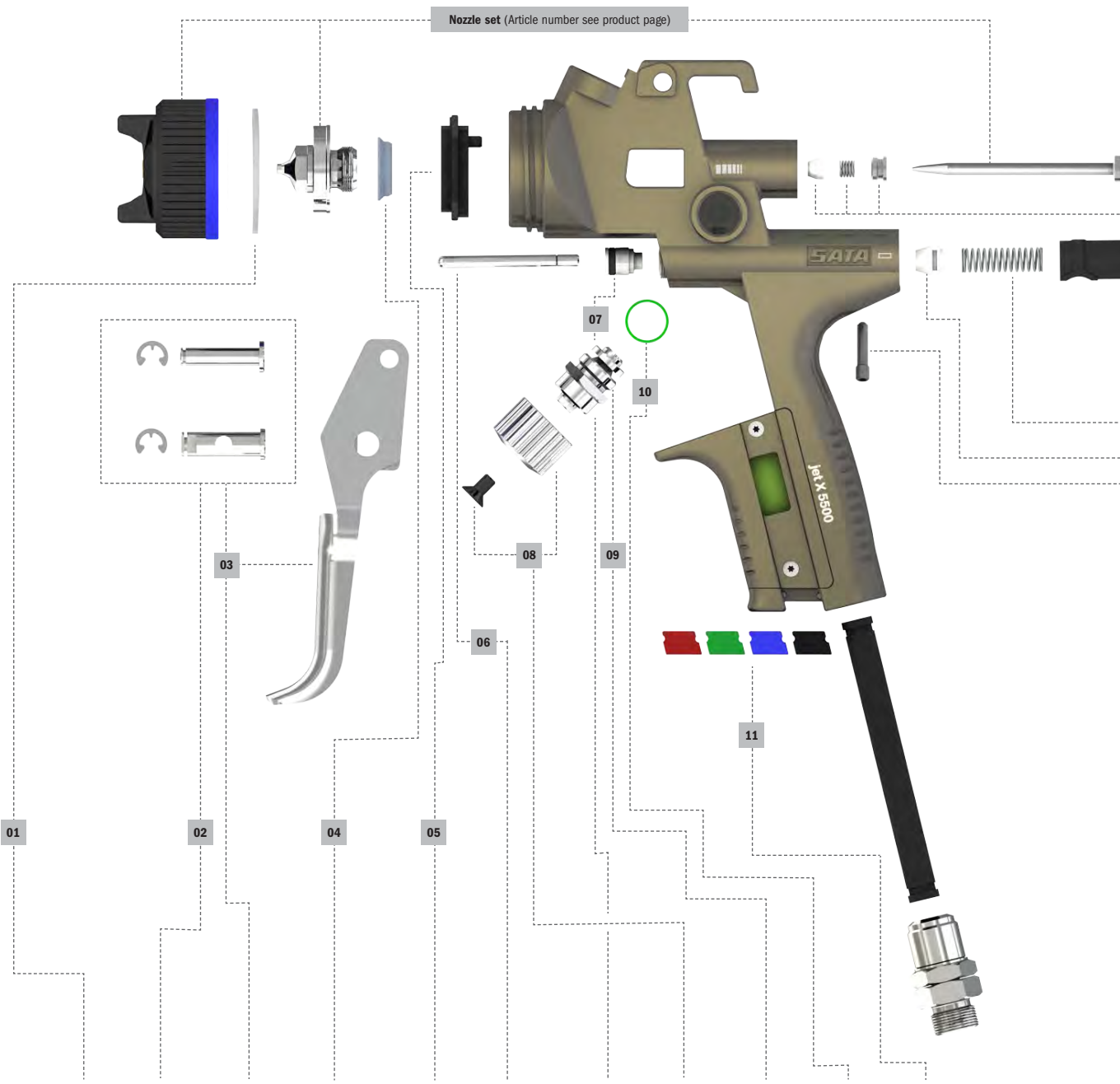
SPRAY GUNS

BREATHING PROTECTION CUP SYSTEMS

FILTER TECHNOLOGY

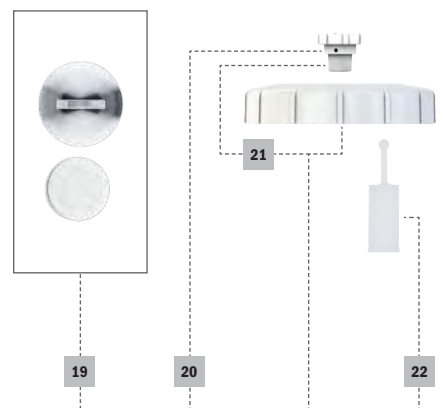
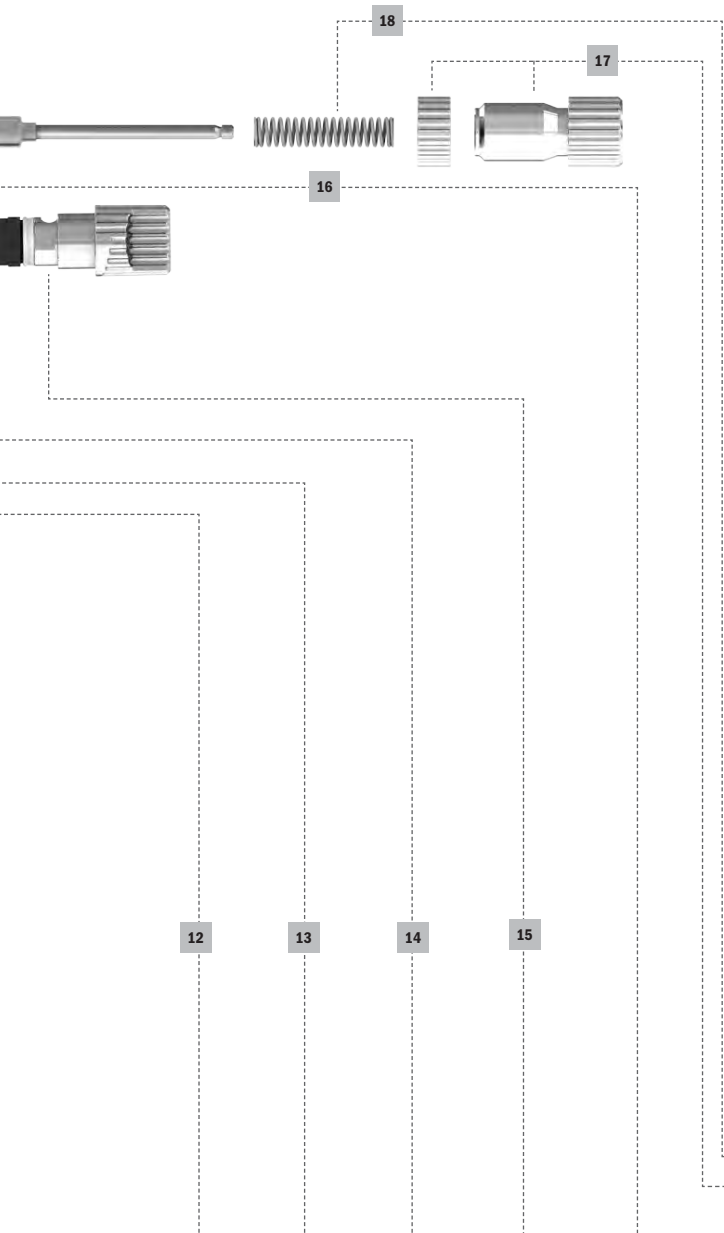
ACCESSORIES

DAN-AM COMPANY



01	02	03	04	05	06	07	08	09	10	11
Seal ring	Trigger sleeve kit	Trigger kit	Seal element fluid tip	Air distribution ring	Air piston rod	Seal retainer	Control knob	Spindle with seal	Spindle seal	CCS clips

Gun type	01	02	03	04	05	06	07	08	09	10	11
X 5500		211458	211433	140582	-	86843	133942	1057357	213025	133934	211409
X 5500 PHASER	211508	-	1092973					1092999			
5000 B		211458	211433		211425			211482			
1500 B SoLV	130393	1011361	1011353					1011486			
100 B					143230	91959			89771		6395
1000 B		133926	130492					140574			
minijet 4400 B	200907	199463	198473	199455	197467	198408	199414	200162	198549	199471	197418



Air connection piece		
Standard jet X 5500 PHASER	Standard	Standard swivel joint

X 5500	-	134098	19745
X 5500 PHASER	1092981	-	
5000 B		134098	16162
1500 B			
100 B	-	133983	
1000 B			
minijet 4400 B			

12	13	14	15	16	17	18	19	20	21	22
Locking screw	Air piston head	Pressure spring air piston	Air micrometer (air flow control knob)	Paint needle packing	Material flow control	Pressure spring paint needle	Battery kit	Anti-drip device	Screw-on lid	Strainer 300µm

211391	133991	133959*	211466	15438	211474	133959*	1057414	1826	49395	3988 (10x)	X 5500
			1093012		1093004		-				X 5500 PHASER
			211466		211474		213769				5000 B
			1011379		1011387		-				1500 B SoLV
133967		139964	139188				76018 (100x)			100 B	
199430	199448	201467* *	198523	199414	199406	201467*		197558	199075	76026 (500x)	1000 B
											minijet 4400 B

*in a set

Nozzle Sets for Older Model SATA gun models

Nozzle Size	SATAJET 90-2 HVLP	SATAjet 3000 HVLP	SATAjet 3000 RP	SATAjet 2000 HVLP	SATAjet RP	SATAjet B	NR92/95 HVLP	SATAjet K NR-92 NR-95 HVLP	SATA MC-B HVLP	SATA Jet 90	Nozzle Size
0.2											0.2
0.3											0.3
0.4											0.4
0.5								73908			0.5
0.8								79780			0.8
0.8SR											0.8SR
0.9											0.9
1.0		132910	132357	82024	29587	4143	46334	NLA			1.0
1.0SR											1.0SR
1.1			158667								1.1
1.2		132928	132365	82057	14902		NLA	NLA			1.2
1.2SR											1.2SR
1.3	126102	132936	132373	NLA	NLA	4127 _{MSB}	NLA			NLA	1.3
1.3 LV		161331									1.3 LV
1.3 C											1.3 C
WSB		132993		9191							WSB
1.4	126110	132944	132381	82263	NLA	3848	NLA	79277	52324	NLA	1.4
1.4 HC		145797									1.4 HC
1.4 SR											1.4 SR
1.5		132951		82420		4119	NLA				1.5
1.6			132399		14977					NLA	1.6
1.6 NA											1.6 NA
1.7		132969		90399		4101	NLA		NLA		1.7
1.8			132407		NLA						1.8
1.9		132977		90407			NLA		64014		1.9
2.0			132415		69880	4093		77917			2.0
2.1									83618		2.1
2.2		132985		90415			46201				2.2
2.5			132423		69898	NLA					2.5
P											P
2.6											2.6
3.0											3.0
4.0											4.0
5.0											5.0
Repair Kits	NLA	133835	133835	NLA	NLA	9720	NR95 - NLA NR92 9720	70623	71464	NLA	Repair Kits
Packing Sets	-	-	-	55244	-	69666	NR95 NLA NR92 9829	-	71456	55244	Packing Sets

** Above sn 6,000 (below 6,000 - part no. 69377)

NLA = No Longer Available

Nozzle Sets for Older Model SATA gun models

Nozzle Size	◆ SATA Jet/K ▲ Jet/H	SATA MC-B MC-93	SATA LM 92 B, H, K	SATA minijet4 & 3000 B	SATA minijet 2 & 3 HVLP	SATA minijet HVLP Green	SATA dekor	SATA KLC-B HVLP	SATA KLC RP	SATA LM2000 B, H, K RP	SATA LM2000 B, H, K HVLP	Nozzle Size
0.2							NLA					0.2
0.3				125583	91041							0.3
0.4							5280					0.4
0.5				125591	91058		NLA					0.5
0.8	◆ 61358		NLA	125609	91066	NLA	5264			26690		0.8
0.8SR				125682	53454							0.8SR
0.9											26823	0.9
1.0			6726	125617	91074	NLA	NLA			26716		1.0
1.0SR				125690	51318							1.0SR
1.1	◆ 55814			125625	91082	NLA					26856	1.1
1.2												1.2
1.2SR				125708	88534							1.2SR
1.3	◆ 64592	80788	64444						87973	26724	26864	1.3
1.3 LV												1.3 LV
1.3 C												1.3 C
WSB												WSB
1.4								NLA			30106	1.4
1.4 HC												1.4 HC
1.4 SR				125716								1.4 SR
1.5	◆ 64600 ▲ 23663										26872	1.5
1.6		NLA	NLA						87981	26732		1.6
1.6 NA									88005			1.6 NA
1.7	▲ 23697 _{MSH}							NLA			30643	1.7
1.8		NLA	NLA						96768	26740		1.8
1.9								32771			30742	1.9
2.0	▲ 23689	NLA	6676						87999	NLA		2.0
2.1								33415			31047	2.1
2.2												2.2
2.5			6668						NLA	26765		2.5
P												P
2.6												2.6
3.0			6650							26781		3.0
4.0										26799		4.0
5.0										26807		5.0
Repair Kits	◆ 70623 ▲	71464	562	126284	50815	50815	91165 69377	12633	12633	54957	54957	Repair Kits
Packing Sets	50666	71456	55244	50658	50658	-	-	-	-	54080	54080	Packing Sets

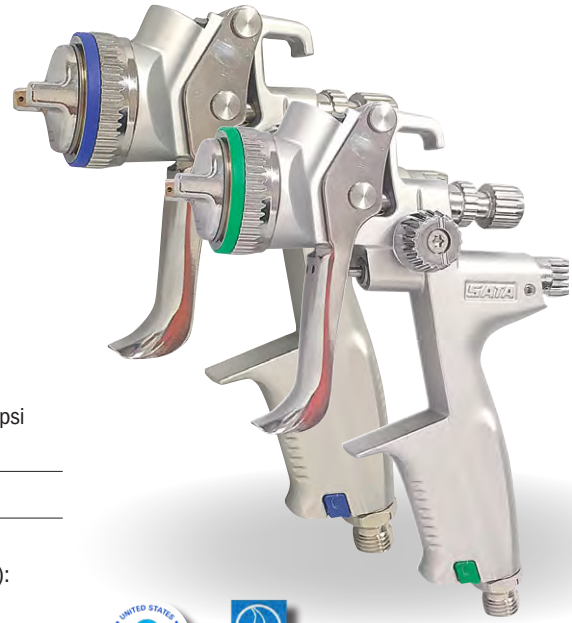
** Above sn 6,000 (below 6,000 - part no. 69377) NLA = No Longer Available

	SATA LP K3 HVLP & LP K3 RP SATA LP 90/LM 2000 RP	SATA Dekor Z	SATA LPS R 2000 & LPS RB 2000 RP	SATA LP 90 Spray Mix	SATA HRS	SATA GR/Z, GR/M	SATA LM/S Series	SATA KL/S & HKD-1	SATA Spray Mix (old series)
Repair Kits	67082	9761	40832	62588	9779	9738	9746	49056	72546
Packing Sets	-	50609	-	-	50617	9837	50633	50112 HKD 9829 KLS	51169

Errors, technical modifications and printing errors reserved.

SATAjet® 4000 B

RP® /HVLP



Technical data:	RP	HVLP
Inlet pressure	Compliant: max. 32 psi	Compliant: max. 29 psi
Operating pressure	20 - 32 psi	22 - 29 psi
Air consumption at 29 psi	10.4 CFM	15.2 CFM
Spray distance	Operating range (Field of application): 6 3/4 - 8 1/4 in	Operating range (Field of application): 4 - 6 in
Weight	20 oz	20 oz

1,0	1,1	1,2	1,2 W	WSB	1,3	1,4	1,5	1,6	1,7	1,8	1,9	2,0	2,2	2,5
-----	-----	-----	-------	-----	-----	-----	-----	-----	-----	-----	-----	-----	-----	-----

Standard with RPS multi-purpose cup 0.3 l / 0.6 l / 0.9 l (each 1x) without swivel joint

RP	176974	171520	169979	169987	-	169995	170001	-	176990	-	177014	-	177030	-	177055
HVLP	176891	-	170159	-	170167	170175	170209	170696	-	176917	-	176941	-	176958	-

DIGITAL with RPS multi-purpose cup 0.3 l / 0.6 l / 0.9 l (each 1x) without swivel joint

RP	176982	171553	170019	170027	-	170035	170050	-	177006	-	177022	-	177048	-	177063
HVLP	176909	-	166249	-	170357	170365	170399	170704	-	176925	-	176933	-	176966	-

Nozzle set

RP	166991	167007	167015	167023	-	167049	167056	-	167072	-	167080	-	168625	-	168633
HVLP	166926	-	166934	-	166983	166942	166967	166975	-	168658	-	168666	-	168674	-

Test Air Cap

RP	-	-	171363	-	-	171363	171371	-	-	-	171371	-	-	-	-
HVLP	-	171355	-	-	171355	-	171348	-	CALL	-	CALL	-	CALL	-	-

Specially Developed HVLP Nozzles

1,3 C	1,3 LV	HC+	1,4 HC
-------	--------	-----	--------

Standard with RPS multi-purpose cup 0.3 l / 0.6 l / 0.9 l (each 1x)

HVLP	170183	170191	204230	170217
------	--------	--------	--------	--------

DIGITAL with RPS multi-purpose cup 0.3 l / 0.6 l / 0.9 l (each 1x)

HVLP	170373	170381	204354	170407
------	--------	--------	--------	--------

Nozzle set

HVLP	166959	168641	200253	171512
------	--------	--------	--------	--------

Test Air Cap

HVLP	171348	171355	171348	171348
------	--------	--------	--------	--------



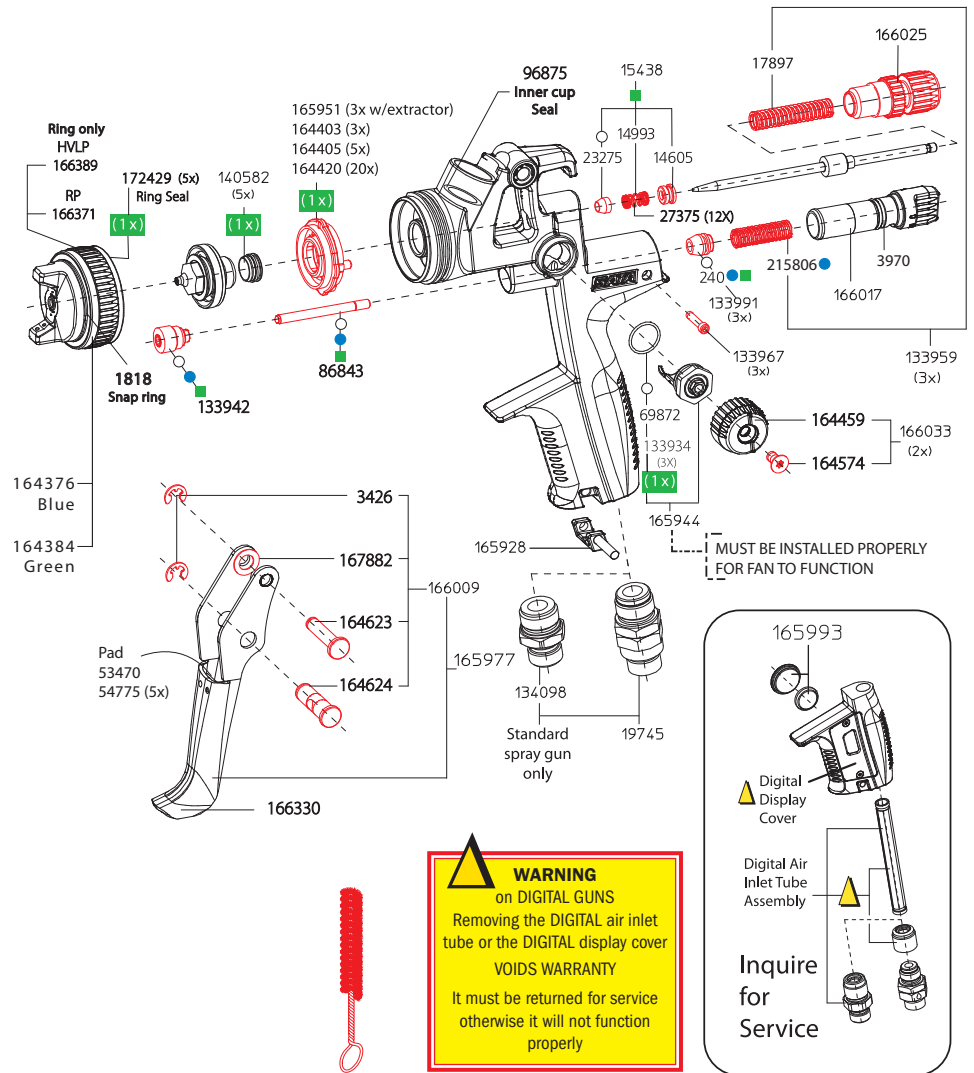
Errors, technical modifications and printing errors reserved.

Spare parts for discontinued spray gun models

SATAjet® 4000 B

240	Packing, air piston
1818	Snap ring, air cap
3426	Circlip, pin, ea.
3970	Seal, air micrometer
14605	Bushing, needle packing
14993	Spring, needle packing
15438	Kit, needle packing
17897	Spring, paint needle
19745	Swivel fitting, standard 1/4" air inlet
23275	Packing, needle
53470	Pad, rubber trigger
54775	Pad, rubber trigger , pk of 5
69872	O ring, fan control
82552	Kit, air piston service
86843	Piston, air rod
96875	Seal, inner cup
133934	O ring, fan control, pk of 3
133942	Bushing, air piston
133959	Kit, spring, pk of 3 each of #215806 & #17897
133967	Pin, air micrometer, pk of 3
133991	Packing, air piston, pk of 3
134098	Fitting, standard 1/4" air inlet, non-digital
136960	Packing kit
140582	Seal, Fluid Tip, pk of 5
164376	CCS ring only, RP, Blue
164384	CCS ring only, HVLP, Green
164403	Air distribution ring, pk of 3
164405	Air distribution ring, pk of 5
164420	Air distribution ring, pk of 20
164459	Knob, fan control
164574	Screw, fan control
164623	Pin, upper trigger
164624	Pin, lower trigger
165928	CCS clips, pk of 4
165936	Tool kit
165944	Control Spindle, w/O ring
165951	Air distribution ring, pk of 3 w/extraction tool (#43638)
165977	Trigger kit
165993	Battery Kit w/ cover and seal
166009	Kit, trigger sleeve
166017	Air micrometer (air flow control)
166025	Material flow control w/counter nut
166033	Knob, fan control w/screw
166058	Repair kit
166330	Trigger only
166371	Compl. Ring only, RP 4000 air cap
166389	Compl. Ring only, HVLP 4000 air cap
167882	Washer, tension spring
172429	Seal, air cap ring, pk of 5
215806	Spring, air piston

Spare Parts SATAjet® 4000 B



SATAjet 4000 B Maintenance Set

- 1047837
- Air distribution ring/extraction tool 165951
 - 1 Sealing ring for air cap ring 172429
 - 1 Sealing element for fluid tip 140582
 - 1 Air piston rod 86843
 - 1 Seal retainer 133942
 - 1 Spindle seal 133934
 - 1 Teflon seal for air piston 133991
 - 1 Paint needle packing 15438

Tool kit

- 165936
- Universal spanner
 - Combi tool
 - Cleaning brush
 - CCS clips
 - Paint strainer
 - Extraction tool

Repair kit

- 166058 Repair kit
- 82552 Air piston service unit
- 136960 Sealing kit

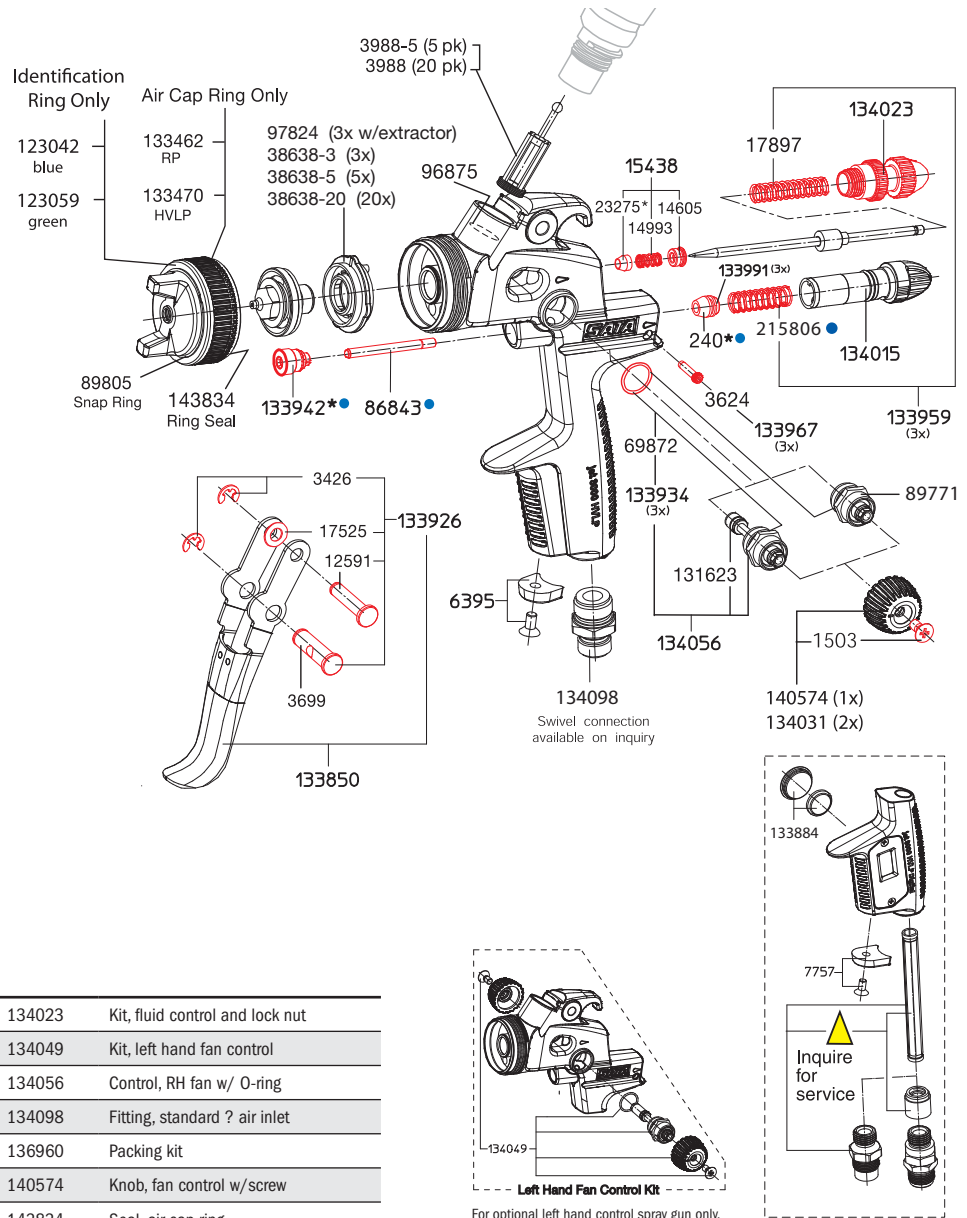
Errors, technical modifications and printing errors reserved.

Spare Parts SATAjet® 3000 B

Spare parts for discontinued spray gun models

SATAjet® 3000 B

240	Packing, air piston
901	Wrench, universal spanner
1503	Screw, fan control
3426	Circlip only, 1 each
3509	Brush, large standard
3624	Pin, air micrometer
3699	Pin, lower trigger
3988	Sieve, pk of 20
3988-5	Sieve, pk of 5
6395	Disc, CC (standard), pk of 4
6585	Insert, aluminum cup
7757	Disc, CC (DIGITAL), pk of 4
9050	Tool kit
9647	Allen wrench, 4
12591	Pin, upper trigger
14605	Bushing, needle packing
14993	Spring, needle packing
15438	Kit, needle packing
17525	Spring, spacer lock
17897	Spring, paint needle
23275	Packing, needle
38638	Ring, air distribution, each
38638-3	Ring, air distribution, pk of 3
38638-5	Ring, air distribution, pk of 5
38638-20	Ring, air distribution, pk of 20
43638	Puller, wire air ring
64543	Allen wrench, 2
69872	O ring, fan control, (large)
82552	Kit, air piston service
86843	Piston, air rod
89771	Fan Control, w/"O" ring
89805	Air cap snap ring
96875	Inner cup seal
123042	Identification ring, RP blue
123059	Identification ring, HVLP green
131623	O ring, fan control, (small)
133462	RP air cap ring w/ seal
133470	HVLP air cap ring w/ seal
133835	Repair kit, complete
133850	Kit, trigger service complete
133884	Kit, battery, cover w/gasket
133926	Kit, trigger sleeve
215806	Spring, air piston
133934	O ring, fan control, 3 pk (large)
133942	Bushing, air piston
133959	Kit, spring, pk of 3 each of #215806 & #17897
133967	Pin, air micrometer, pk of 3
133991	Packing, air piston, pk of 3
134015	Air micrometer



134023	Kit, fluid control and lock nut
134049	Kit, left hand fan control
134056	Control, RH fan w/ O-ring
134098	Fitting, standard ? air inlet
136960	Packing kit
140574	Knob, fan control w/screw
143834	Seal, air cap ring

Tool kit

9050

- Extraction tool
- Paint strainer
- Cleaning brush
- Allen wrench 2 mm width
- Allen wrench 4 mm width
- Universal spanner



1097379

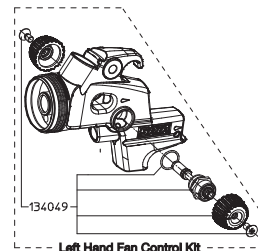
Universal key kit (pack of 3 pieces)

Repair kit

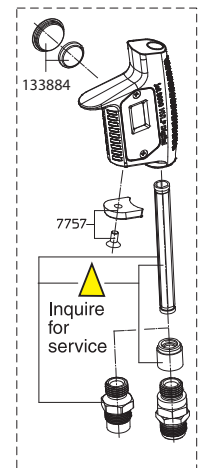
133835
Repair kit

82552
Air piston service unit

136960
Sealing kit



Left Hand Fan Control Kit
For optional left hand control spray gun only, body machined all the way through.



Inquire for service



Errors, technical modifications and printing errors reserved.

SATAjet® 5000 B PHASER



Technical data:	RP	HVLP
Inlet pressure	Operating range: 7 psi - 29 psi Compliant: max. 29 psi	Operating range: 7 psi - 29 psi Compliant: max. 29 psi
Air consumption at 29 psi	10.2 CFM	15 CFM
Spray distance	Operating range: 3.9 in - 8.3 in Recommended: 6.7 in - 8.3 in	Operating range: 3.9 in - 8.3 in Recommended: 3.9 in - 5.9 in

1,2	1,2W	WSB	1,3	1,4	1,5
-----	------	-----	-----	-----	-----

Standard with RPS multi-purpose cup 0.3 l / 6 l / 0.9 l (each 1x) without swivel joint

HVLP	1,2	1,2W	WSB	1,3	1,4	1,5
	-	-	1006924	1006817	1006825	1006833

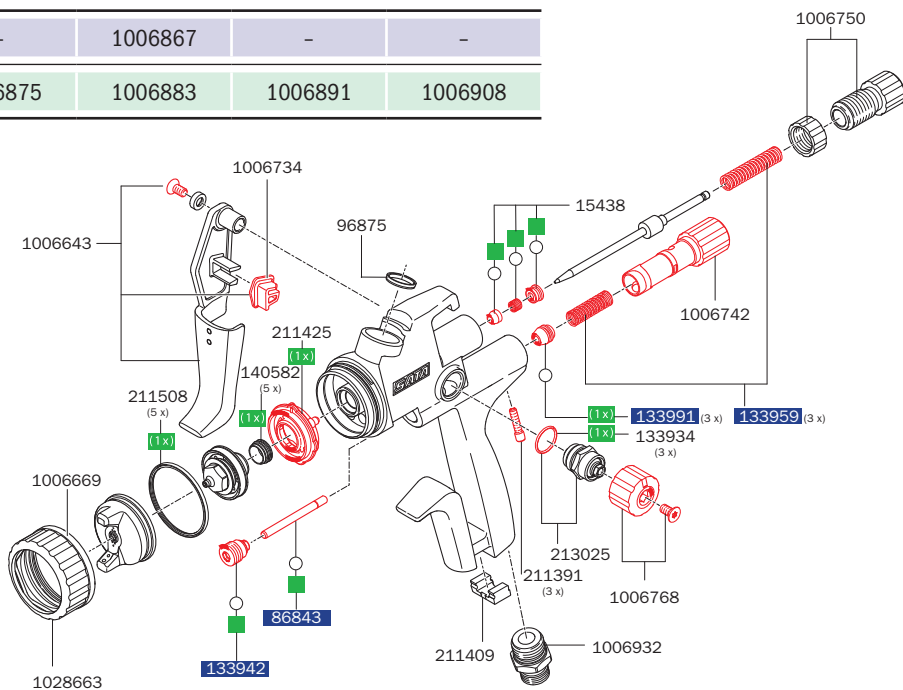
Nozzle set

RP	1006841	1006859	-	1006867	-	-
HVLP	-	-	1006875	1006883	1006891	1006908

Spare parts

SATAjet® 5000 B PHASER

15438	Paint needle packing
86843	Air piston rod
96875	Seal, inner cup
133934	Sealing (packing unit 3 pieces) for spindle
133942	Seal retainer, cpl.
133959	Pressure spring (3 pc) for paint needle and air piston
133991	packing for air piston (packing unit 3 pieces)
140582	Sealing element (packing unit 5 pieces) for fluid tip
211391	Locking screw (3 pieces) for air micrometer
211403	Air distribution ring (3x) w/o puller
211405	Air distribution ring (5x) w/o puller
211409	CCS-Clips, green, blue, red, black (each 1x)
211425	Air distribution ring (3 pieces)
211508	Sealing ring (5 pieces)
213025	Spindle, cpl., for round / flat spray control
1006768	Control knob with screw (packing unit 2 pieces)
1006932	Air connection piece 1/4" male thread
1006742	Air micrometer
1006750	Material flow control with counter nut
1006734	Trigger fixing clip
1006643	Trigger kit
1006669	Kit consisting of colored marking rings (blue, green, black, packing unit each 1 piece)
1028663	Air cap ring with pressure clip



Repair kit

1006809	Repair kit
82552	Air piston service unit
1050674	SATAjet X 5000 Maintenance Set
136960	Sealing kit

Tool kit

211524	<ul style="list-style-type: none"> Universal spanner Combi tool Cleaning brush CCS clips Paint strainer Extraction tool
1097379	Universal key kit (pack of 3 pieces)

SATAjet 5000 B Maintenance Set

- 1050674
 - Air distribution ring/extraction tool 211425
 - 1 Sealing ring for air cap ring 211508
 - 1 Sealing element for fluid tip 140582
 - 1 Air piston rod 86843
 - 1 Seal retainer 133942
 - 1 Spindle seal 133934
 - 1 Teflon seal for air piston 240
 - 1 Paint needle packing 15438




SATA adam 2 (SATAjet 5000 series & up)

211557	SATA adam 2 chrome (psi)	
1031715	SATA adam 2 black (psi)	
211565	SATA adam 2 dock	
211573	SATA adam 2 dock (2x)	

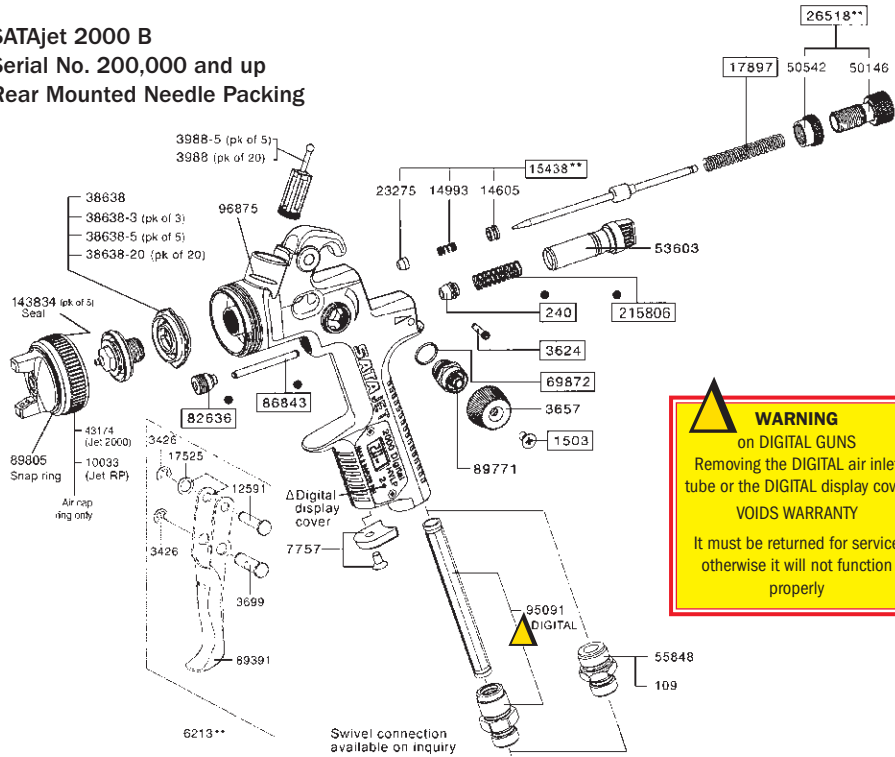
Spare Parts SATAjet® 2000 B

Spare parts for discontinued spray gun models

SATAjet® 2000 B

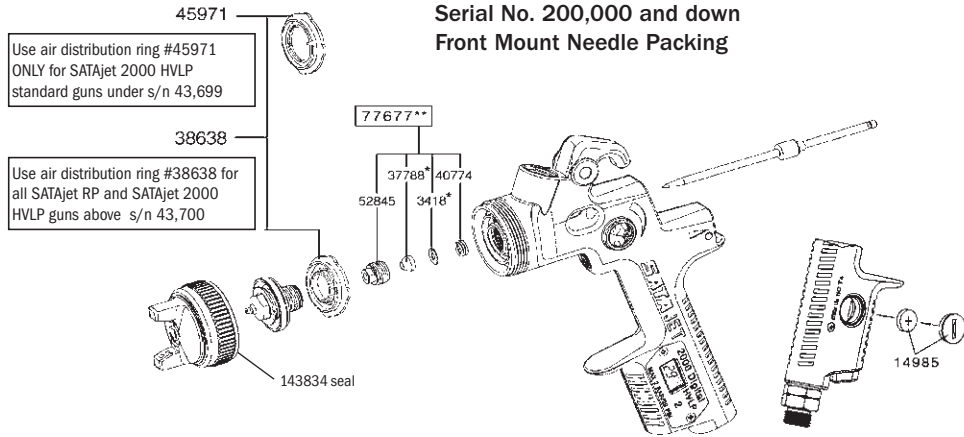
240	Air piston packing
901	Universal spanner wrench
1503	Fan control screw
1826	Non-drip device, pk of 4
3426	Circlip, pin
3509	Standard cleaning brush
3624	Pin, micrometer
3657	Knob, fan control
3699	Pin, lower trigger
3988	Paint sieve, pk of 20
3988-5	Paint sieve, pk of 5
6007	Std cleaning brush, pk of 10
6213	Trigger service set, Jet 2000, RP
6585	Insert for Alu cup adapter
7757	Color Code disc, pk of 4
9050	Tool set, Jet 2000, RP
9647	Allen wrench, 4
10033	Air cap ring w/seal, Jet RP
12591	Pin, upper trigger
14605	Bushing, needle packing
14985	Battery kit, digital
14993	Spring, needle packing
15438	Needle packing service set
17525	Lock spring
17897	Needle spring
23275	Needle packing
26518	Fluid control service set
27243	0.6L plastic cup QCC
38638	Air ring, SATAjet 2000, SATAjet RP Digital & Std. (above S/N 43,700)
38638-3	Air ring, pack of 3
38638-5	Air ring, pack of 5
38638-20	Air ring, pack of 20
43174	Air cap ring w/seal, Jet 2000
43638	Wire tool, air ring
49395	0.6 liter cup lid
49437	Cup Lid Drip Ring, 0.6L, Pk of 5
50146	Fluid regulating control
50542	Lock nut, fluid control
53603	Air micrometer
55244	Packing set: Jet 2000, RP, 90
64543	Allen wrench, 2
69872	Control O-ring
71555	Plastic lid, pk of 3
82552	Air piston service set
82636	Air piston packing holder
86843	Air piston
89391	Trigger
89771	Fan Control
89805	Snap ring (air cap)
95091	Air inlet fitting, DIGITAL 
96644	Cup nipple, alum. QCC only
96685	1.0L alum. cup, QCC
96693	Red ring, alum. QCC only
96719	QCC adapter, PPS cup
96875	Inner cup seal
134098	Air inlet fitting, std. gun
143834	Seal, air cap ring, 5 pk
215806	Spring, air piston

SATAjet 2000 B Serial No. 200,000 and up Rear Mounted Needle Packing



WARNING
on DIGITAL GUNS
Removing the DIGITAL air inlet tube or the DIGITAL display cover
VOIDS WARRANTY
It must be returned for service
otherwise it will not function
properly

SATAjet 2000 B Serial No. 200,000 and down Front Mount Needle Packing



Front Mount Needle Packing Only

901	Universal spanner wrench
3418	Packing washer
3509	Std cleaning brush
3756	Deep socket wrench
6007	Std cleaning brush, pk of 10
9654	Tool set, Jet 2000, RP
37788	Packing seal
38638	Air distribution ring, All Satajet RP's and Satajet HVLP above sn: 43,700
40774	Needle packing spring
45971	Air distribution ring Std HVLP below sn: 43,700
52845	Needle packing holder
64543	Allen wrench, 2
71431	Allen wrench, 4
77677	Needle packing service set

Repair kit

- 82552
Air piston service set
- * 55244
Packing set
- ** Parts that are available separately from Packing set

Tool kit

- 9050
 - Extraction tool
 - Paint strainer
 - Cleaning brush
 - Allen wrench 2 mm width
 - Allen wrench 4 mm width
 - Universal spanner
- 1097379
Universal key kit (pack of 3 pieces)



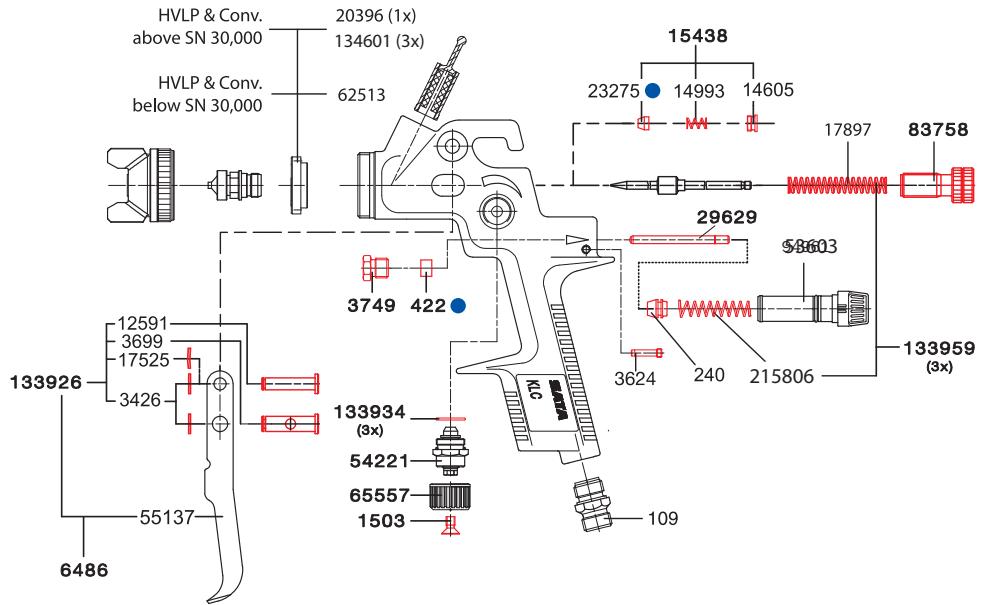
Errors, technical modifications and printing errors reserved.

Spare Parts SATAjet® KLC

Spare parts for discontinued spray gun models

SATAjet® KLC

109	Air inlet fitting
240	Air piston packing
422	Air piston packing
1503	Countersunk screw M4 x 8 DIN 965, stainless steel, for micrometer and round/flat control
3426	Circlip pin
3624	Pin, air micrometer
3699	Lower trigger pin
3749	Air piston packing holder
6486	Trigger service set
12591	Upper trigger pin
14605	Needle packing bushing
14993	Needle packing spring
15438	Paint needle packing
17525	Lock spring
20396	Air distribution ring (1x)
29629	Air piston
53603	Air micrometer
54221	Fan control
55137	Trigger
62513	Air distribution insert
65557	Fan control knob
83758	Fluid regulating control
133926	Trigger sleeve kit
133934	pk of 3 packings
133959	Spring set: 3 x #17152 & 3 x 10520
134601	Air distribution ring (3x)
215806	Spring, air piston



Repair kit

12633
Repair kit

54080
Air piston service unit

Tool kit

9944 HVLP

- 9050 Conventional
- Extraction tool
- Paint strainer
- Cleaning brush
- Allen wrench 2 mm width
- Allen wrench 4 mm width
- Universal spanner



Spare Parts SATAjet® B

Spare parts for discontinued spray gun models

SATAjet® B

422	Air piston packing
1503	Countersunk screw M4 x 8 DIN 965, stainless steel, for micrometer and round/flat control
1826	Non-drip device for 0.6 l PVC cup, pk of 4
2600	Service set for nozzle insert consisting of nozzle insert, distribution plate and sealing ring
3566	Fluid inlet nipple, SATAjet B
3657	Knob, Fan Control
3749	Air Piston Packing Holder
3988	Paint strainer for SATA std sized spray guns (20x)
3988-5	Paint strainer for SATA std sized spray guns (5x)
6445	Needle packing set
6486	Trigger service set
16162	Swivel joint for SATA DIGITAL spray guns
29629	Air piston
49379	Plastic gravity cup 0.6 l with lid and female fittings
49395	Screw on lid for 0.6 l PVC cup with drip-catching ring and non-drip device
54221	Fan control
61416	Paint flow control screw cpl. w/ counter nut
64766	Spacer ring
133926	Trigger sleeve kit
133934	pk of 3 packings
133959	Spring set: 3 x #17152 & 3 x 10520
133967	pk of 3 adjustment screws
133983	Air connection piece G1/4a
133991	pk of 3 air piston heads

Tool kit

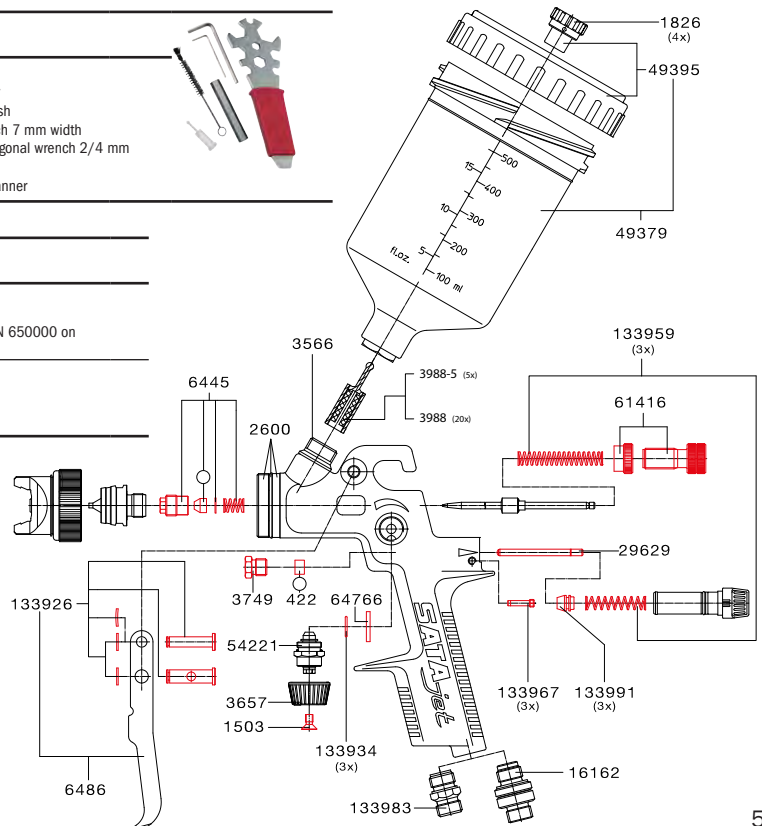
- 9654
- Paint strainer
- Cleaning brush
- Socket wrench 7 mm width
- Internal hexagonal wrench 2/4 mm width
- Universal spanner



Repair kit

69666
Repair kit from S/N 650000 on

9829
Packing set



Errors, technical modifications and printing errors reserved.

SATAmijet® 3000 B HVLP



Technical data: **HVLP**
 Inlet pressure 29 psi

Air consumption at 29 psi	4.1 CFM
Spray distance	5 in - 6 in



0,3	0,5	0,8	1,0	1,1	0,8 SR	1,0 SR	1,2 SR	1,4 SR
-----	-----	-----	-----	-----	--------	--------	--------	--------

Spray gun with 0.125 l PVC cup

HVLP	125633	125641	125658	125666	125674	125724	125732	125740	125757
------	--------	--------	--------	--------	--------	--------	--------	--------	--------

Spray gun with 0.150 l aluminum cup

HVLP	125633-15	125641-15	128512	128520	128538	128488	128496	125765	128504
------	-----------	-----------	--------	--------	--------	--------	--------	--------	--------

Nozzle set

HVLP	125583	125591	125609	125617	125625	125682	125690	125708	125716
------	--------	--------	--------	--------	--------	--------	--------	--------	--------

OUT OF PRODUCTION - CALL FOR AVAILABILITY - MANY STILL IN STOCK

Special Versions

125773 SATAmijet 3000 HVLP design set with air hose, glass cups, plastic cup, adapters and micrometer - specify nozzle at time of order
Specify nozzle size or will be shipped with 1.0 nozzle



Spray fan comparison

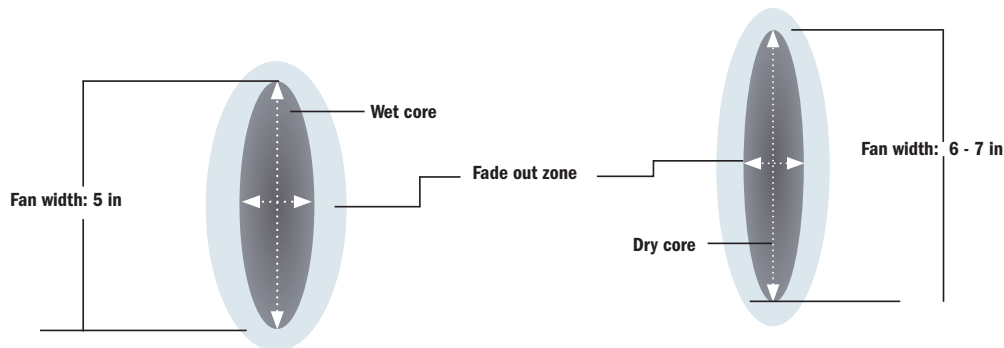
SATAmijet 3000 B HVLP

1.0 29 psi for standard applications

SATAmijet 3000 B HVLP

1.0 SR 29 psi For spot repair applications

Lowers risk of creating bright edges
 Allows painter to apply thin layers of paint

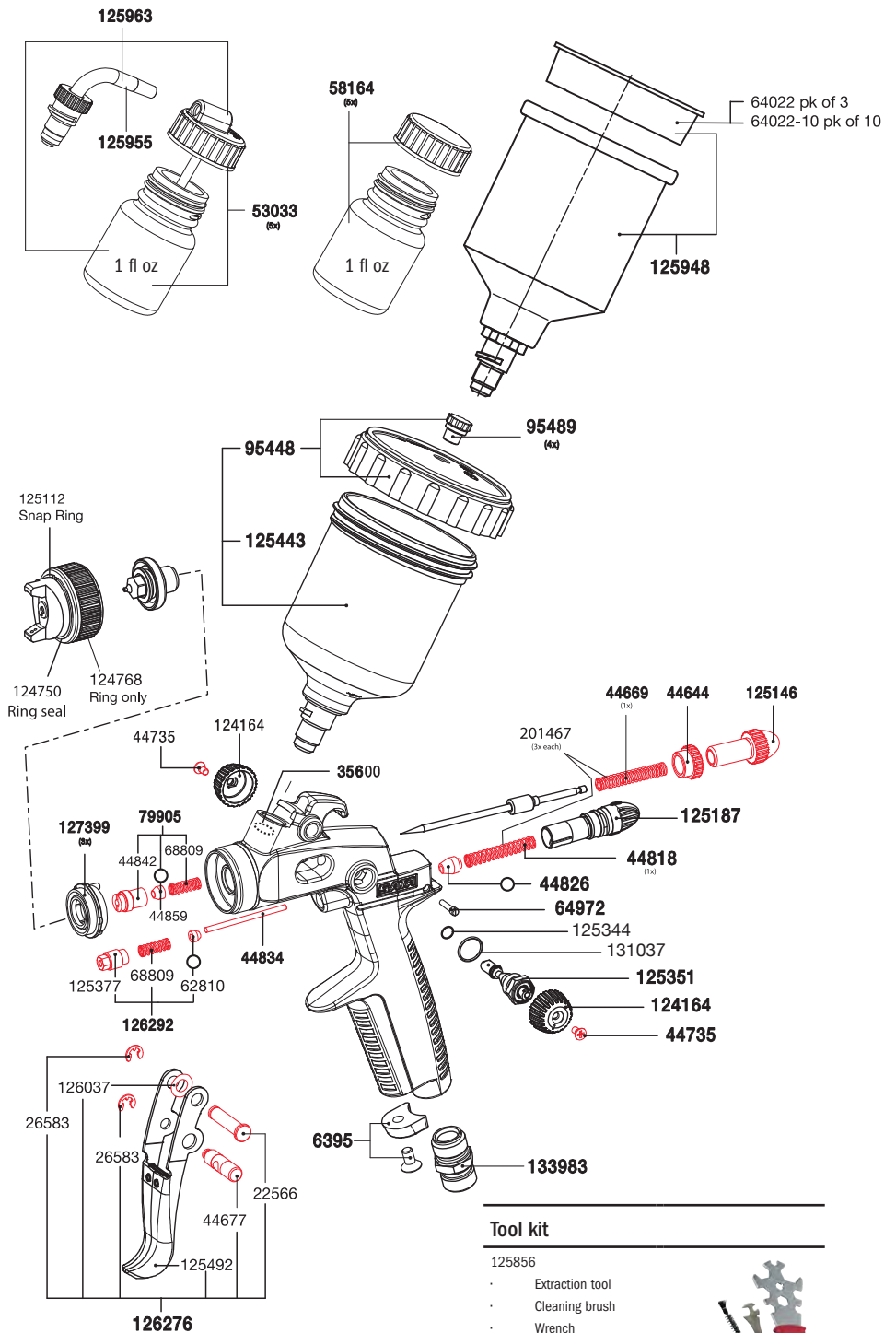


Errors, technical modifications and printing errors reserved.

Spare parts for discontinued spray gun models

SATAminijet® 3000 B

901	Universal spanner wrench
3509	Standard cleaning brush
6007	Standard brush, pk of 10
6395	Color Code discs, pk of 4
15925	Spanner wrench, small
16295	Glass cup w/plug-in lid
22566	Pin, upper trigger
26583	Circlip
35600	Cup Seal
44644	Lock nut
44669	Spring, needle
44677	Pin, lower trigger
44735	Screw, fan control
44818	Spring, air piston
44826	Packing, air piston
44834	Air piston
44842	Bushing, needle packing
44859	Packing, needle
50658	Packing set, minijet
53033	Set of 5 glass plug-in cups
58164	Set of 5 glass cups w/lid
62810	Piston packing
64022	.150 L cup lid, pk of 3
64022-10	.150 L cup lid, pk of 10
64972	Air micrometer pin
68809	Spring, needle packing
74351	Gasket, air hose
79905	Needle packing service set
95448	.125 L lid w/ drip proof vent
95489	Anti-drip device, pk of 4
124164	Knob, fan control
124750	Ring seal only for air cap
124768	Air cap ring w/seal
125112	Snap ring (air cap ring)
125146	Knob, fluid control
125187	Air micrometer
125344	Fan control, O Ring, small
125351	Fan control
125377	Bushing, air piston
125443	.125 L QCC plastic cup w/lid
125492	Trigger
125856	Tool set
125948	.150 L QCC alum. cup w/lid
125955	Adapter, plug-in cup (QCC)
125963	Quick color change set 5 cups, 2 funnels, adapter
126037	Washer, tension spring
126276	Trigger service set
127399	Air distribution ring, 3 pk
131037	Fan control, O Ring, large
201467	Springs for needle & air piston, 3 ea



126284	Repair kit, minijet 3000 B, minijet 4
126292	Air piston service set
127399	Air distribution ring, pk of 3
129346	QCC adapter for PPS cup
131037	Fan control, O Ring, large
133983	Air inlet fitting, 1/4 BSP

Tool kit

- 125856
- Extraction tool
- Cleaning brush
- Wrench
- Universal spanner



Repair kit

- 126284
- Repair kit
- 50658
- Packing set

Errors, technical modifications and printing errors reserved.

SATAjet® H



Technical data:

Inlet pressure:	58 psi
Air consumption at 58 psi	15 CFM
Spray distance	7 in - 9 in



1,5	MSH	2,0
-----	-----	-----

Spray gun with 1.0 l aluminium siphon cup

23721	23747	23739
-------	-------	-------

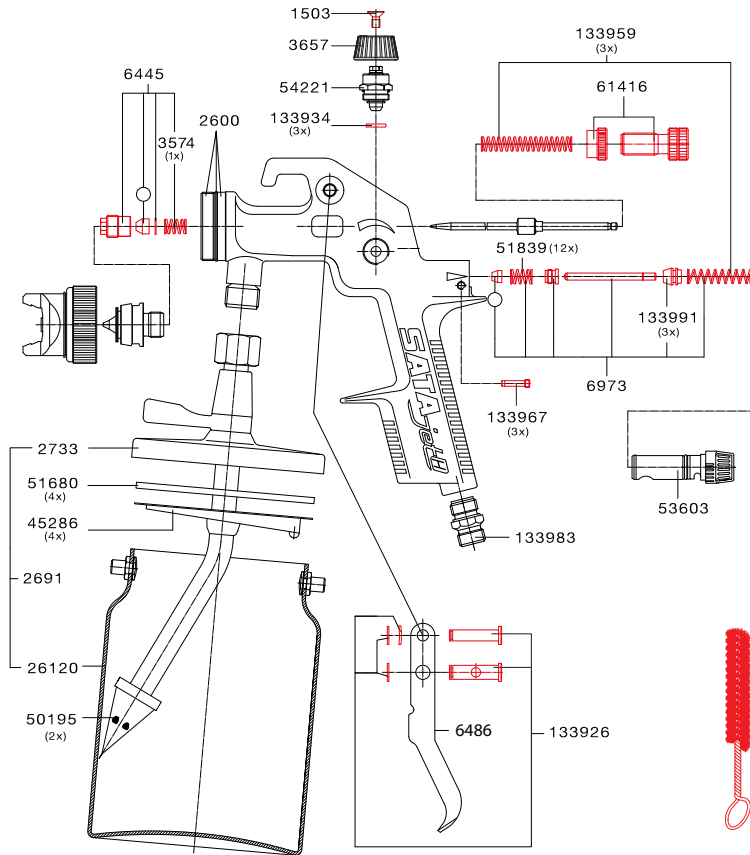
Nozzle set

23663	23697	23689
-------	-------	-------

Spare parts

SATAjet® H

1503	Countersunk screw M4 x 8 DIN 965, stainless steel, for micrometer and round/flat spray control
2600	Service unit for nozzle insert for SATAjet/B, H, K and NR 92, consisting of nozzle insert, distribution plate and sealing ring
2691	1.0 l aluminum suction cup, cpl.
2733	Lid fitting
3574	Pressure spring
3657	Control knob
6445	Paint needle packing
6486	Trigger kit
6973	Air piston servicing unit
26120	1.0 l aluminum suction cup, w/o lid
45286	Anti-drip device (pack of 4 pieces)
50195	Strainer (packing unit 2 pieces)
51680	Sealing ring (packing unit 4 pieces)
51839	Pressure spring (packing unit 12 pieces) for air piston packing
53603	Air micrometer
54221	Spindle complete, for SATAjet/90, SATAjet, regulation valve and MC-B
61416	Material flow control with counter nut
133926	Trigger sleeve kit
133934	Sealing (3 pieces) for spindle
133959	Pressure spring (3 pieces) for paint needle and air piston
133967	Adjustment screw (3 pieces) for air micrometer
133983	Air conn. piece 1/4" male thread
133991	Air piston head (3 pieces)



Tool kit

- 9654
- Paint strainer
- Cleaning brush
- Socket wrench 7 mm width
- Internal hexagonal wrench 2/4 mm width
- Universal spanner



Repair kit

- 70623
- Repair kit
- 50666
- Sealing kit



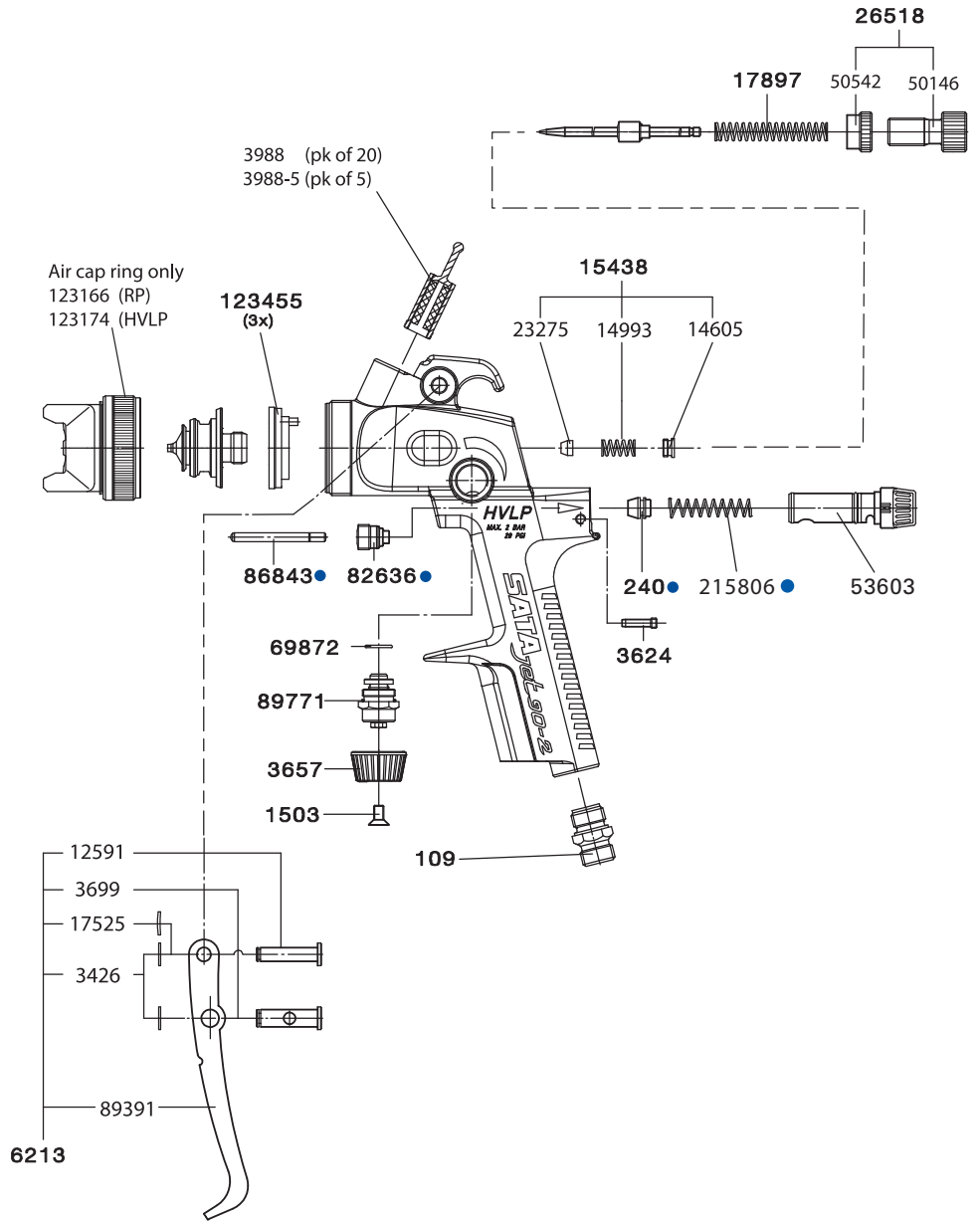
Errors, technical modifications and printing errors reserved.

Spare Parts SATAjet® 90-2

Spare parts for discontinued spray gun models

SATAjet® 90-2

109	Air inlet fitting
240	Air piston packing
901	Universal spanner wrench
1503	Fan control screw
3426	Circlip, pin
3509	Standard cleaning brush
3624	Pin, micrometer
3657	Knob, fan control
3699	Pin, lower trigger
3988	Paint sieve, 20 pk
3988-5	Paint sieve, 5 pk
6007	Std. cleaning brush, 10 pk
6213	Trigger Service Set
9050	Tool set, Jet 90-2 HVLP & RP
9647	Allen wrench, 4
12591	Pin, upper trigger
14605	Bushing, needle packing
14993	Packing spring, each
15438	Needle packing service set
17525	Washer, tension spring
17897	Needle spring, each
23275	Needle packing
26518	Fluid control service set
50146	Fluid regulating control
50542	Lock nut, fluid control
53603	Air micrometer
64543	Allen wrench, 2
65557	Knob, fan control
69872	Control O ring
82552	Air piston service set
82636	Bushing, air piston
86843	Air piston
89391	Trigger
89771	Fan control
123455	Air ring, 3 pk
215806	Spring, air piston



Tool kit

9050

- Extraction tool
- Paint strainer
- Cleaning brush
- Allen wrench 2 mm width
- Allen wrench 4 mm width
- Universal spanner



1097379

Universal key kit (pack of 3 pieces)

Repair kit

82552

Air piston service unit

SATA adam 2, SATA adam 2 black

Technical data:

Max. pressure:	145 psi
Max. operating temperature:	140 °F
Display accuracy:	+/- 0.7 psi



Available versions

211557 SATA adam 2 chrome, complete with dock and psi display for SATAjet 5000 series only (SATAjet X 5500, 5000 B and 5000 B PHASER)



1031715 SATA adam 2 black, complete with dock and psi display for SATAjet 5000 series only (SATAjet X 5500, 5000 B and 5000 B PHASER)

160853 SATA adam 2 chrome, complete with dock and psi display. Fits SATA standard guns, except SATAjet 5000 series and minijet

1031690 SATA adam 2 black, complete with dock and psi display. With the SATA adam 2 consisting of two separate components docking base and display - usage, cleaning and maintenance have become a lot easier. Fits SATA standard size spray guns, except SATAjet 5000 series and minijet



160887 SATA adam 2 mini chrome, complete with dock and psi display

1031674 SATA adam 2 mini black, complete with dock and psi display. Fits SATAmijinjet 4400 B and SATAjetminijet 1000 K along with older models, minijet 3, minijet 4, and SATAmijinjet 3000 B



195222 SATA adam 2 U chrome

1031731 SATA adam 2 U black
Air micrometer with dock and display for precise measure of air pressure. All other types of guns can be digitized, as well as the SATA dry jet blow gun.



Spare parts & Accessories

160697 SATA adam 2 chrome, display only

1031658 SATA adam 2 black, display only
The digital readout which contains all electronic components. As the pressure is set by turning the setting wings on the docking base only, the digital display always remain in the upright position ensuring perfect pressure reading at all times. For increased safety during gun cleaning in gun washing machines, a simple, reliable click-in mechanism quickly releases the SATA adam 2 display from the dock. This mechanism also allows using the SATA adam 2 display on different SATA spray guns equipped with a docking base and the adam 2U.



211565 SATA adam 2, dock only for SATAjet 5000 series only

211573 Adaptor plate for the SATA adam 2 display replaces the standard air micrometer. The integrated seal provides full pressure setting functionality even when the display has been removed. Comes with protective cover when display is not mounted.



160788 SATA adam 2 dock, for standard size SATA spray guns except Jet 5000.

160796 (2x) Adaptor plate for the SATA adam 2 display replaces the standard air micrometer. Available in two versions for SATA standard guns and SATA minijet guns, it now also features the micrometer function for pressure setting. The integrated seal provides full pressure setting functionality even when the display has been removed. Comes with protective cover when display is not mounted.



160861 SATA adam 2 mini dock.

Fits SATAmijinjet 4400 B and SATAjetminijet 1000 K along with older models, minijet 3, minijet 4, and SATAmijinjet 3000 B.








195230 SATA adam 2 U dock only

Air micrometer G 1/4 with SATA dock



195925 SATA adam 2 U dock only, G 1/8 male thread, (can also be used to replace analog gauge on a #27771 to a digital U2 or analog gauge on a SATA filter, 400 series) with adapter #677023



	SATAjet X 5500 PHASER SATAjet X 5500 SATAjet 5000 B PHASER SATAjet 5000 B	SATAjet 4000 B	SATAjet 1500 B	SATAjet 1000 B	SATAjet 100 B	SATAjet B, SATAjet GR	SATAminijet 4400 B SATAminijet 3000 B SATAminijet 4	SATA dry jet	Competitor spray guns	Retrofitting micrometer with pressure gauge #27771	Filters and systems with G 1/8" female thread
 211557 adam 2 1031715 adam 2 black	X										
 160853 adam 2 1031690 adam 2 black		X	X	X	X	X					
 160887 adam 2 mini 1031674 adam 2 black							X				
 195222 adam 2 U 1031731 adam 2 U black	X	X	X	X	X	X	X	X	X		
 195925 SATA dock with 1/8" male thread										X	X

Pressure gauges and micrometer

27771 SATA air micrometer with gauge, 1/4" (male thread) and G 1/4" (female thread)
This high quality air micrometer indicates air pressure settings at the spray gun air inlet. The gauge bezel has a green color coded pressure range for correct adjustment of SATA HVLP guns and blue for SATA RP (reduced pressure) guns. The SATA air micrometer with gauge housing is anodized black and adjustable from 0 - 145 psi.



4002 SATA In-Line Hose Pressure Gauge
High-volume in-line pressure gauge with unrestricted airflow to the spray gun (non-adjustable). HVLP and RP color-coded pressure gauge face with a high flow coupler and nipple.



43786 SATA line pressure gauge
It also works well with spray guns without the built-in air micrometer feature or when air pressure is not critical. Rugged metal black anodized housing. Connects to 1/4 BSP



123513 SATA Replacement Gauge for above micrometer only



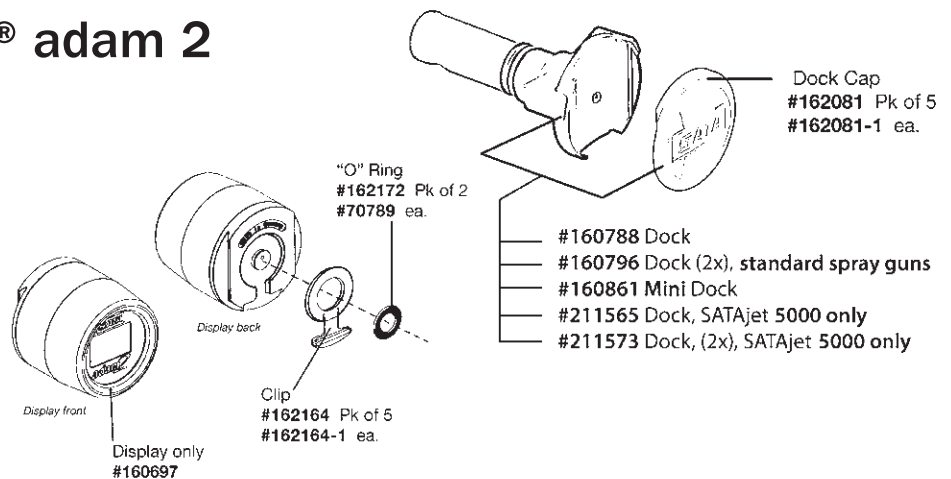
9860 SATA air micrometer only without gauge
It also works well with spray guns without the built-in air micrometer feature or when air pressure is not critical. Rugged metal black anodized housing. Connects to 1/4 BSP air inlet fitting. No access port for gauge.



Spare Parts SATA® adam 2

Battery replacement kit

Part No. 160739





SPRAY GUNS

CUP SYSTEMS

BREATHING PROTECTION






FILTER TECHNOLOGY

ACCESSORIES









DAN-AM COMPANY

Accessories for Spray Guns

Air connection







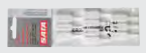




13656	SATA HVLP female nipple G 1/4 female thread (use 6981 for 5-pk)	
53942	SATA HVLP male nipple G 1/4 male thread	
13599	SATA HVLP female QC G 1/4 female thread	
13623	SATA HVLP male QC G 1/4 male thread	
99895	Universal swivel fitting - flexible connection nipple G 1/4	

Spray Gun Holders



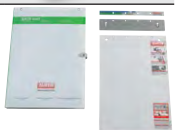
1110527	SATA universal gun holder, folding. For hanging gravity flow guns, siphon guns, industrial guns	
1080530	Magnet Clamp Kit, for SATA universal gun holder. Allows to place gun holder anywhere magnetic	
192195	SATA spray gun and hose holder	
9886	SATA gravity gun holder	
40188	SATA bench mounted gun holder	
69328	Spray gun stand, complete, for SATAMinijet 3000 B HVLP and SATAjet 20 B Can be used for gravity or side cups	
9898-3	3 gun wall mount, gravity feed spray guns	
9898-3A	3 gun wall mount or cabinet add-on, gravity feed spray guns	
9898-4	4 gun wall mount, gravity feed spray guns	
9898-6	6 gun wall mount (3 x 2), gravity feed spray guns	
9890-M	Dan-Am SATAMinijet hanger, wall mount or cabinet mount	
9890-A	Dan-Am SATAMinijet bench gun holder with base	
1750	Spray gun holder, complete	
186833	Spray gun stand acrylic	

Accessories for Spray Guns

Cleaning and maintenance

1097379	SATA Universal Key Wrench, 3 pk. Assembly and removal of fluid tip, if tool slips it won't damage your tip, paint can opener	
1060938	SATA Universal Key Wrench, 1 count	
3509	Cleaning brushes, each	
6007	Cleaning brushes, pk of 10	
64220	Small cleaning brushes, each	
9209	Small cleaning brushes, pack of 10	
158840	Cleaning brushes, pack of	
162628	SATA care set, spray gun care bag with cleaning utensils and spray gun grease. Scope of supply: 1x Large cleaning brush, 5x medium cleaning brush, 5x double ended cleaning brush, 12x nozzle cleaning needles, 1x high performance SATA grease (100 ml)	
48173	100 g tube SATA high performance grease for spray guns, silicone and acid free	
3988-5	5-pk paint strainer for SATA reusable cups	
3988	20-pk paint strainer for SATA reusable cups	
9894	SATA nozzle cleaning needles, pk of 12	
64030	Cleaning set: 2x cleaning brushes & 12x nozzle cleaning needles	
53496	Large SATA siphon pick-up pipe, each	
29280	Large SATA siphon pick-up tube, pack of 10	
64035	Dan-Am Spray gun cleaning kit: 13 x various sized SATA cleaning brushes, 2 x SATA cleaning broaches,	
64036	Dan-Am Air brush cleaning kit, includes; 5x mini brush set, 1x plastic handled brush, 2x double ended brushes, 2x cleaning brushes w/handle, 2x cleaning broches, 2x large brushes.	

Quality control

7096	SATA Air Check Set Compressed air testing device. Simply connect and allow air flow for 15 minutes or longer. Test paper traps dirt, oil and in-line contamination. Complete with test paper, tweezers, magnifying glass and exam light all in a compact carrying case.	
Air check test paper		
7666	Test paper, pack of 10	
156299	SATA air tester, use to determine contaminates in airline	
161596	SATA cert, with archive, spray pattern block, single sheet holder and distance marker	
161646	Spray pattern blocks each w/ 25 sheers for SATA cert	
161661	Distance marker for SATA cert	

Accessories for Spray Guns

Other Accessories

60095 SATAclean, 3 gun soaking tray



60111 Plug-set (3-pieces) for SATA Clean

59675 SATA Dosenboy, to cut out can lids from cans up to 36 cm height



59659 Wheel for SATA Dosenboy

59667 Blade for SATA Dosenboy

1023762 Air cap protector (black) for UV materials, for SATAjet 100 and SATAjet 1000 series, each

1023704 Air cap protector (black) for UV materials, for SATAjet 1500, 4000, 5000 series, each



1053850 Air cap protector w/hole (black) for SATAjet 1500, SATAjet X 5500, 2000, 3000, 4000 & 5000 B, Jet90, 90-2, each

1053983 Air cap protector w/hole (black) for SATAminijet 1000 & 3000 B, each



1053975 Air cap protector w/hole (black) for SATAjet 100 and SATAjet 1000 series, Jet B, H, K & NR95, each

1053991 Air cap protector w/hole (black) for SATAminijet 4400 B, LM2000, KLC, MC-B, LM-92, each

TP-INLET Dan-Am inlet protector, each

TP-INLET5 Dan-Am inlet protector, pack of 5



217489 SATA dry jet 2

This practical, lightweight blow gun makes quick work of drying waterborne material.
See page 137 for more information



228999 SATA Multitool

Extraction tool for the air distribution insert · Various spanners for spray gun maintenance · Bit holder w/four bits · Implement to open battery compartment (for digital spray guns) and to remove circlips on spray gun trigger · Implements to remove air micrometer screw and for assembly/disassembly of the paint needle packing · Tool to disassemble SATA fluid tips · Knife, pointed pliers, bottle opener



Metric to Decimal Conversion Chart

0.15mm = .0059	1.0mm = .0394	1.9mm = .0748
0.2mm = .0078	1.1mm = .0433	2.0mm = .0787
0.25mm = .0098	1.2mm = .0472	2.1mm = .0827
0.35mm = .0138	1.3mm = .0512	2.2mm = .0866
0.5mm = .0197	1.4mm = .0551	2.3mm = .0906
0.6mm = .0236	1.5mm = .0591	2.4mm = .0945
0.7mm = .0276	1.6mm = .0630	2.5mm = .0984
0.8mm = .0315	1.7mm = .0669	3.0mm = .1181
0.9mm = .0354	1.8mm = .0709	5.0mm = .1969

Approximately
28.3 l/min
= 1 cfm.

Approximately
1 Bar
= 14.5 psi

DIN 4
Viscosity Cup Orifice
4mm = .1575

0.9463 liter
= 1 qt

.03 liter
= 1 oz.

2.54 cm
= 1 inch

1 meter
= 39.37 inches

8 oz
= 1 cup

16 oz
= 1 pint

32 oz
= 1 quart

128 oz
= 1 gallon

Viscosity Cup Conversion Chart - SATA Din 4

SPRAY GUNS

CUP SYSTEMS

BREATHING PROTECTION

FILTER TECHNOLOGY

ACCESSORIES

DAN-AM COMPANY

SATA DIN 4	POISE	CENTIPOISE	DUPONT PARLIN 7	DUPONT PARLIN 10	FISHER 1	FISHER 2	FORD CUP 3	FORD CUP 4	KREBS UNITS KU	SAYBOLT UNIVERSAL SSU	ZAHN 1	ZAHN 2	ZAHN 3	ZAHN 4	ZAHN 5	SATA DIN 4
9	0.1	10	27	11	20			5		50	30	16				9
11	0.15	15	30	12	25			8		80	34	17				11
12	0.2	20	32	13	30	15	12	10		100	37	18				12
15	0.25	25	37	14	35	17	15	12		130	41	19				15
17	0.3	30	43	15	39	18	19	15		160	44	20				17
18	0.4	40	50	16	50	21	25	17		210	52	22				18
20	0.5	50	57	17		24	29	19	30	260	60	24				20
22	0.6	60	64	18		29	33	21	33	320	68	27				22
23	0.7	70		20		33	36	23	35	370		30				23
24	0.8	80		22		39	41	26	37	430		34				24
28	0.9	90		23		44	45	29	38	480		37	10			28
30	1.0	100		25		50	50	31	40	530		41	12	10		30
32	1.2	120		30		62	58	36	43	580		49	14	11		32
39	1.4	140		32			66	41	46	690		58	16	13		39
42	1.6	160		37				45	48	790		66	18	14		42
46	1.8	180		41				51	50	900		74	20	16		46
50	2.0	200		45				56	52	1000		82	23	17	10	50
55	2.2	220						61	54	1100			25	18	11	55
59	2.4	240						67	56	1200			20	12	12	59
64	2.6	260						72	58	1280			30	21	13	64
67	2.8	280						76	59	1380			32	22	14	67
70	3.0	300						83	60	1475			34	24	15	70
74	3.2	320								1530			36	25	16	74
79	3.4	340								1630			39	26	17	79
83	3.6	360								1730			41	28	18	83
86	3.8	380								1850			43	29	19	86
89	4.0	400								1950			46	30	20	89
94	4.2	420								2050			48	32	21	94
100	4.4	440								2160			50	33	22	100
105	4.6	460								2270			52	34	23	105
110	4.8	480								2380			54	36	24	110
122	5.0	500								2480			57	37	25	122
131	5.5	550								2660			63	40	27	131
150	6	600								2900			68	44	30	150
172	7	700								3375				51	35	172
193	8	800								3880				58	40	193
274	9	900								4300				64	45	274
	10	1000								4600					49	
	11	1100								5200					55	

General guidelines for gravity guns using a DIN 4 viscosity cup

(use smaller nozzle sizes for pressure fed and larger for siphon feed guns)

General guidelines for nozzle size

- 1.2 for water borne
- 1.3 for basecoat, some clears with low VOC on HVLP
- 1.4 for clearcoat, single stage, surfacer, sealer, epoxy, waterborne, wash and etch primer
- 1.5 for clearcoat, single stage
- 1.6 for primer
- 1.7 for primer, filler
- 1.8 for primer, filler
- 1.9 for filler, high build
- 2.0 for filler, high build
- 2.5 for polyester



SATA Viscosity Cup

Using a viscosity cup will ensure consistent measuring of material viscosity for selecting the right nozzle size. DIN 4 (4).

Extruded Aluminum

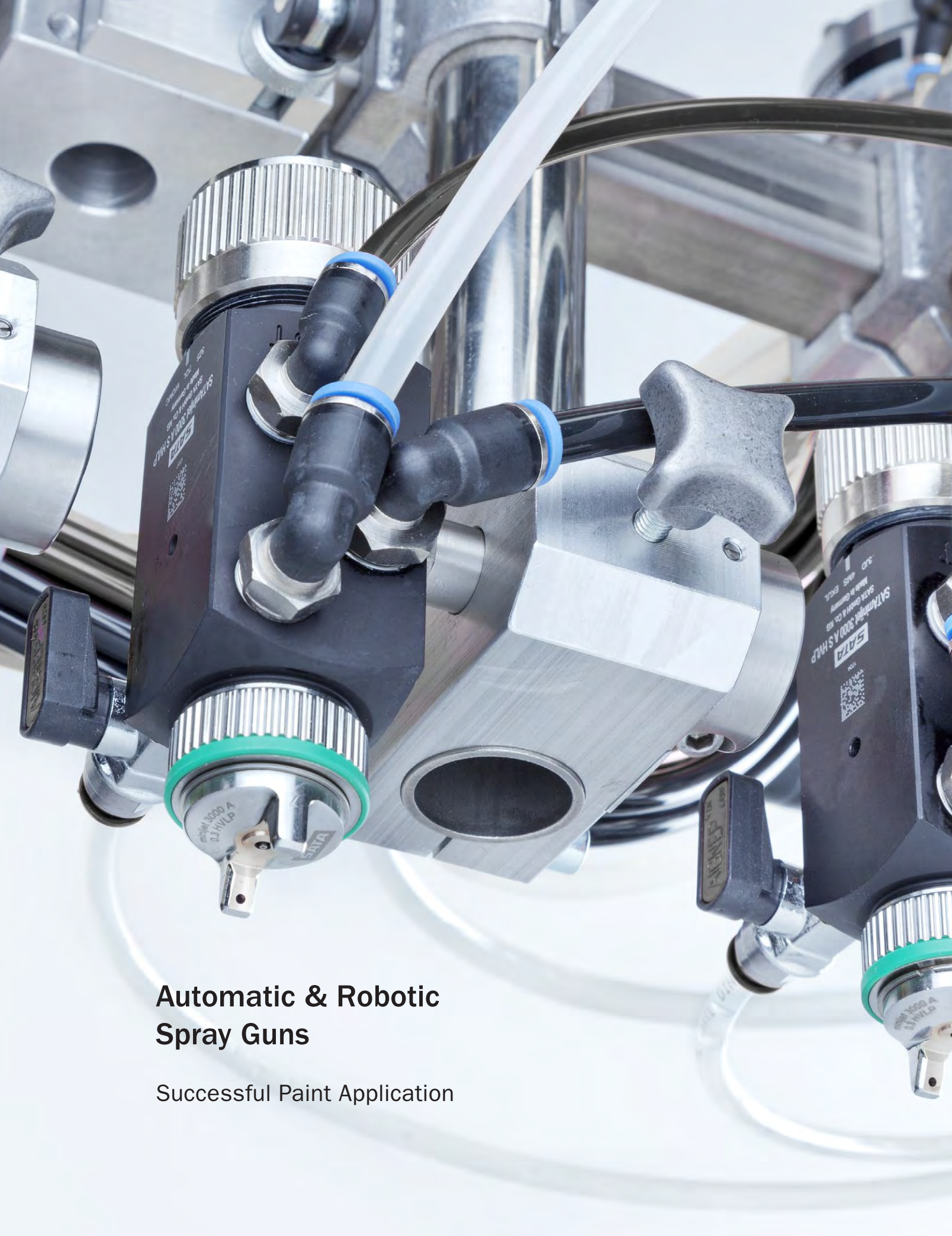
Each **Part No. 9852**

Turned Aluminum

Each **Part No. 9845**

How to use a SATA DIN 4 viscosity cup

The DIN (German engineering standard) viscosity cup, part number 9852 is a 100ml container with a 4 orifice. To measure material viscosity, dip the cup in the material, using a stopwatch or second hand on a watch, check how many seconds it takes for the cup to empty. The clearance time is the DIN viscosity expressed in seconds. Determining the viscosity makes nozzle selection easier. Also check paint company application charts for nozzle sizes.



Automatic & Robotic Spray Guns

Successful Paint Application

Quick change adapter SATAjet A / ROB

Quick-change recording quick change holders

145169 Quick-change adapter cpl. SATA automatic guns , with mounting screw, with spacers 52720



208595 FIRA quick-change adapter with integrated precision pressure regulator , incl. connecting elements for SATAjet A automatic guns

FIRA (Fluid Integrated Regulator Adapter) quick change adapter with integrated material fine pressure regulator, includes connection elements for **SATAjet ROB automatic guns**.

Innovative, compact adapter for automatic spray guns allowing the quick removal of the automatic gun for maintenance purposes. Furthermore, a pneumatically operated material fine pressure regulator is integrated in the adapter ensuring a pulsation free material supply. The controller can be either adjusted centrally via the pneumatic anchorage or externally via the control of the entire unit



217521 Quick-change recording cpl. including without material return . Connection elements for a material connection for SATAjet ROB standard spray gun



188573 Quick-change recording cpl. included with material return . connection elements for SATAjet ROB guns



208603 FIRA quick-change recording material with integrated precision pressure regulator , incl. Connecting elements for SATAjet ROB automatic guns



74773 Quick change adapter with fixing screw without spacers 52720 and 53132 for fitting a SATAjet ROB - gun



► **Upon request:** Drilling patterns for quick change holders

FIRA quick change adapter SATAjet A / ROB

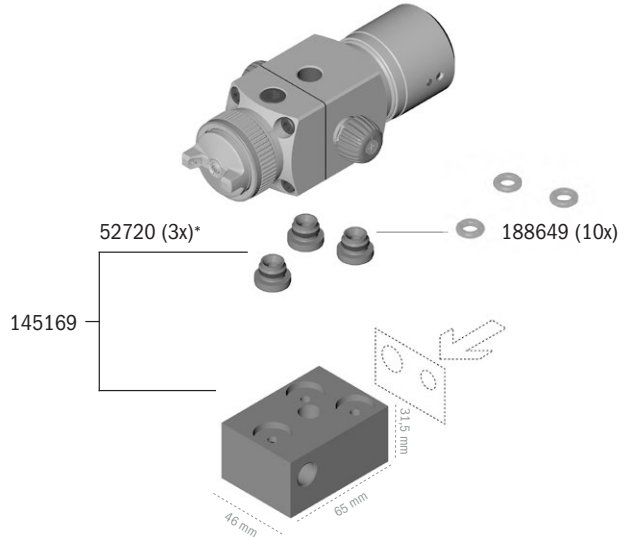
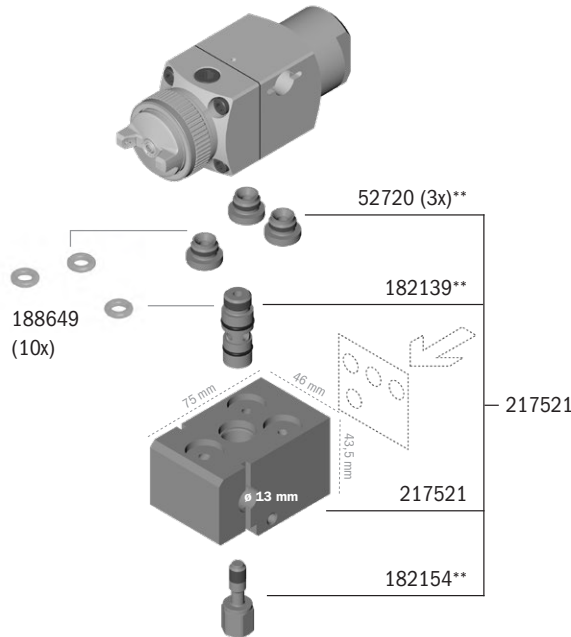
Only for the series ▶

- SATAjet 3000 A RP/HVLP
- SATAjet 1000 A RP/HVLP
- SATAminijet 1000 A RP/HVLP

Part No./Description
52720
Distance piece 1/4" (male thread) (packing unit 3 pieces)
145169
Quick change adapter cpl. with fixing screw, with distance pieces 52720
188649
Sealing kit (packing unit 10 pieces)

Drilling template for adapter plate connection upon application.

* included in the scope of delivery of 145169.



Quick change adapter without material circulation

◀ Only for the series

- SATAjet 3000 ROB RP/HVLP
- SATAminijet 1000 ROB RP/HVLP

Part No./Description
52720
Distance piece 1/4" (male thread) (packing unit 3 pieces)
182139
Connection piece control air 1/4" (male thread)
217521
Quick change adapter cpl. without material recirculation incl. connection elements for one material connection
182154
Screw for SATAjet 3000 ROB special version
188649
Sealing kit (packing unit 10 pieces)

Drilling template for adapter plate connection upon application.

** included in the scope of delivery of 217521.

Quick change adapter with material circulation

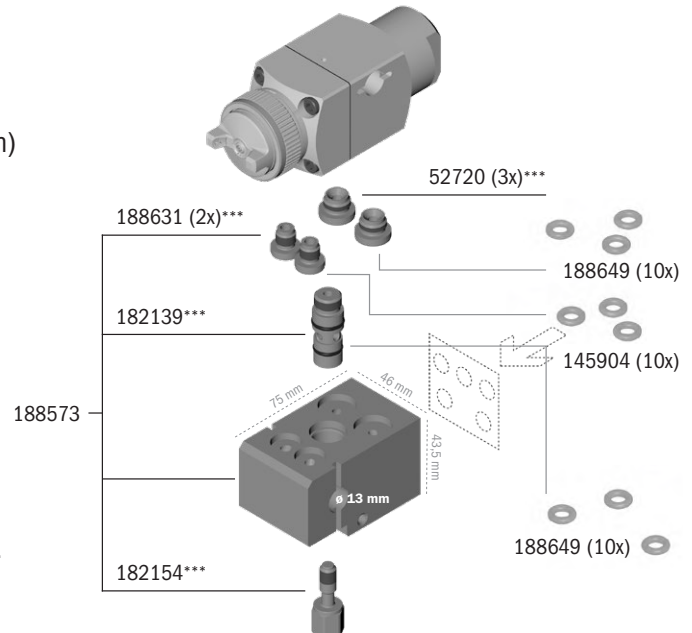
Only for the model ranges ▶

- SATAjet 3000 ROB RP/HVLP
- SATAminijet 1000 ROB RP/HVLP (upon application)

Part No./Description
52720
Distance piece 1/4" (male thread) (packing unit 3 pieces)
188631
Distance piece 1/8" (male thread) (packing unit 2 pieces)
182139
Connection piece control air 1/4" (male thread)
188573
Adapter, cpl. with material recirculation
182154
Screw for SATAjet 3000 ROB special version
145904
O-ring (packing unit 10 pieces)
188649
Sealing kit (packing unit 10 pieces)

Drilling template for adapter plate connection upon application.

*** included in the scope of delivery of 188573.



SATAjet® 3000 ROB

RP® /HVLP



Technical data:	RP	HVLP
Inlet pressure	51 - 58 psi	58 - 61 psi
Air consumption:	15.5 CFM	20 CFM

	0,5	0,8	1,0	1,1	1,2	1,3	1,5	1,6	1,7	2,0
--	-----	-----	-----	-----	-----	-----	-----	-----	-----	-----

Standard version with Standard (STD) or Specially Treated (ST) Nozzle

RP STD	163931	94516	-	94524	-	135467	220418	-	94559R	94570R
HVLP STD	220426	94532	94540	-	124651	-	-	180976	-	94568R
RP ST	-	94516ST	-	94524ST	-	137893	94550RST	-	94559RST	94570RST
HVLP ST	-	94532ST	94540ST	-	124651ST	-	-	94556RST	-	94568RST

Waterborne version with Standard (STD) or Specially Treated (ST) Nozzle

RP STD	220434	94557	-	94565	-	130476	220442	-	94593R	94603R
HVLP STD	220459	94573	94581	-	124644	-	-	129395	-	129403
RP ST	-	146928	-	220467	-	220475	94585RST	-	94593RST	94603RST
HVLP ST	-	94573ST	94581ST	-	124644ST	-	-	129395ST	-	129403ST

Stainless steel version with material flow control

RP STD	-	204883	-	220491	-	220509	-	-	-	-
--------	---	--------	---	--------	---	--------	---	---	---	---

Stainless steel version with material flow circulation for the use on quick change adapter 188573

RP STD	220483	182063	97857	182071	-	-	-	-	-	-
--------	--------	--------	-------	--------	---	---	---	---	---	---

Stainless steel version with material flow circulation, with material flow control for the use on quick change adapter 188573

RP STD	-	205401	220541	-	-	-	-	-	-	-
--------	---	--------	--------	---	---	---	---	---	---	---

Nozzle set

RP STD	129932	94136	-	94144	-	128322	135459	-	94170R	144253
RP ST	220558	137992	-	140889	-	138008	94160RST	-	94170RST	128777ST
HVLP STD	129940	94151	94169	-	126433	-	-	124206	-	124214
HVLP ST	139659	139667	94169ST	-	138016	-	-	140814	-	140822

Test Air Cap

RP	135517	135517	-	135517	-	135517	135517	-	-	-
HVLP	95059	95059	95059	-	95067	-	-	95067	-	95067



Errors, technical modifications and printing errors reserved.

SPRAY GUNS

CUP SYSTEMS

BREATHING PROTECTION

FILTER TECHNOLOGY

ACCESSORIES

DAN-AM COMPANY

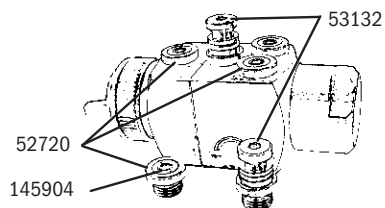
Spare parts

SATAjet® 3000 ROB

10033	Air cap ring w/seal, 3000 RP
14183	Tool kit
38638	Air distribution ring
38638-3	Air dist. ring, pk of 3
38638-5	Air dist. ring, pk of 5
38638-20	Air dist. ring, pk of 20
41780	Gun body only (specify gun)
43091	Control piston
43109	Closing cap
64071	Seal retainer
64147	Washer
64709	Sleeve
64808	Spring, compression
68999	Repair kit
68999-S	Spring set
74179	Inner material seal
74690	Allen screw, M5x25
80598	Seal retainer Front mount
91728	Nozzle head, 3000 ROB HVLP & RP
92627	S/S nozzle head, 3000 ROB HVLP & RP
93732	Air cap ring w/seal, HVLP
94714	Pin only
97824	Air distribution ring, w/puller, pk of 3
98061	Nozzle head with material circulation, stainless steel for insert on quick change adapter 188573, completely assembled, with seal retainer 170787
170787	Seal retainer Rear mount

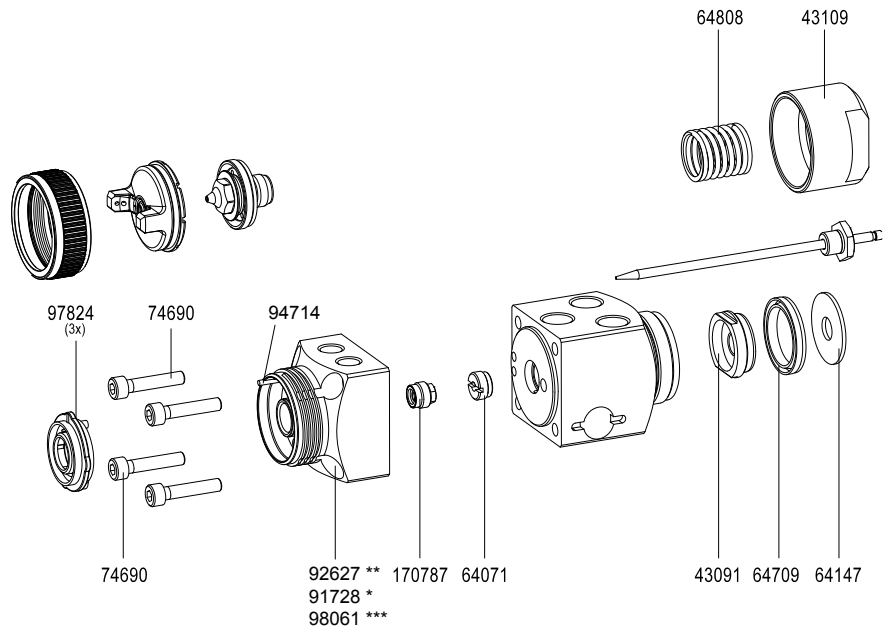
ROB Accessories and parts

74773	Single Gun Adapter, LP ROB
56622	Dual Gun Adapter, LP ROB
53132	Connection Bolt G1/4, Adapter Plate
52720	Spacer Block, Pk of 3, Adapter Plate
145904	O Ring only, Pk of 10



Errors, technical modifications and printing errors reserved.

Rear mount seal #170787 (Late 2014 release)



Select suitable spare parts for the version you use

* Standard (Aluminum)

** Stainless steel

*** Stainless steel with material circulation for use on quick change adapter 188573

Tool kit

14183

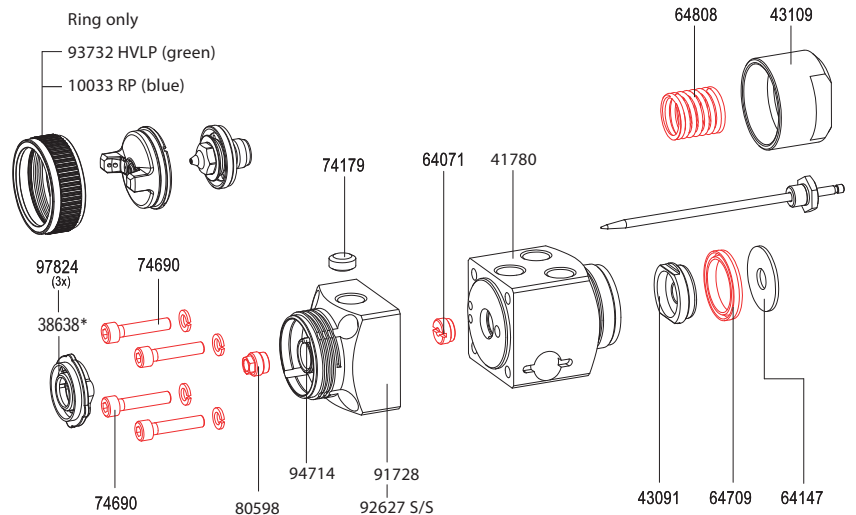
- Extraction tool
- Cleaning brush
- Allen wrench 2 mm width
- Allen wrench 4 mm width
- Universal spanner
- Socket wrench



Repair kit

- 68999
- Repair kit

Front mount seal #80598



SATAjet® 3000 A

RP® /HVLP



Technical data:	RP	HVLP
Inlet pressure	51 - 58 psi	58 - 61 psi
Air consumption:	15.5 CFM	20 CFM

	0,5	0,8	1,0	1,1	1,2	1,3	1,5	1,6	1,7	2,0
--	-----	-----	-----	-----	-----	-----	-----	-----	-----	-----

Standard version with Standard (STD) or Specially Treated (ST) Nozzle

RP STD	220376	94417	-	94425	-	94433	220384	-	94453A	220392
HVLP STD	-	94441	94458	-	124602	-	-	124594	-	124545
RP ST	168559	174060	-	94425ST	-	196378	94445AST	-	94453AST	182378
HVLP ST	-	94441ST	94458ST	-	124602ST	-	-	124594ST	-	125545ST

Waterborne version with Standard (STD) or Specially Treated (ST) Nozzle

RP STD	165274	94466	-	94474	-	94482	143289	-	94503A	220400
HVLP STD	156604	94490	94508	-	124610	-	-	124552	-	124560
RP ST	-	181008	-	169011	-	94482ST	94494AST	-	94503AST	94520AST
HVLP ST	-	94490ST	94508ST	-	124610ST	-	-	124552ST	-	124560ST





Nozzle set

RP STD	129924	94326	-	94334	-	94342	94359	-	94369A	131052
RP ST	168583	216887	-	171710	-	94342ST	94359ST	-	94369AST	94377AST
HVLP STD	129916	94367	94375	-	129577	-	-	129700	-	129718
HVLP ST	129916ST	94367ST	94375ST	-	129577ST	-	-	129700ST	-	129718ST

Test Air Cap

RP	135517	135517	-	135517	-	135517	135517	-	-	-
----	--------	--------	---	--------	---	--------	--------	---	---	---

Connection options

144618	Fixing bolt, D 15 G 1/4"	
64212A	Collar mount for 1/2" shaft, G 1/4" connection	
801102	Quick change mount w/indexing angle bracket, complete with hardware Individual parts sold separately, call for part numbers.	
208595	FIRA (Fluid Integrated Regulator Adapter) quick change adapter with integrated material fine pressure regulator. Includes connection elements for SATAjet A automatic spray guns. SEE PAGE 72	

Errors, technical modifications and printing errors reserved.



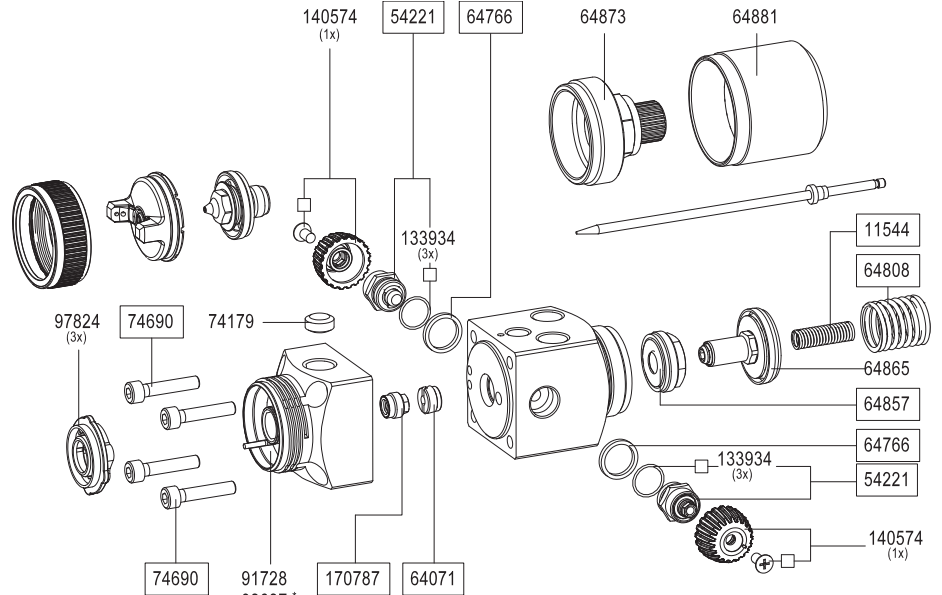
Spare Parts SATAjet® 3000 A RP®/HVLP

Spare parts

SATAjet® 3000 A

1503	Countersunk screw M4 x 8
1594	Teflon seal
3418	Washer, 3.7
3574	Spring, needle packing
10033	Air cap ring w/seal, RP
11403	S/S nipple, 1/4 x 3/8
11544	Spring, needle
14183	Tool kit
29827	Spring, pk of 12
38638	Air distribution ring
38638-3	Air dist. ring, pk of 3
38638-5	Air dist. ring, pk of 5
38638-20	Air dist. ring, pk of 20
54221	Control spin
64071	Seal retainer
64089	Gun body only (specify gun)
64105	Control piston
64147	Washer
64154	Hollow screw
64709	Sleeve
64766	Spacer
64808	Spring, compression
64857	Seal retainer, complete
64865	Control piston, complete
64873	End cap, complete
64881	Control cap
67082	Repair kit
67082-P	Packing set
67082-S	Spring set
69872	O ring, 11x1
70789	O ring, 5x2
73783	Hex socket screw
74179	Inner material seal
74690	Allen screw, M5x25
80598	Seal retainer
91728	Nozzle head, 3000 ROB HVLP & RP
92627	S/S nozzle head,
3000 ROB HVLP & RP	
93732	Air cap ring w/seal, HVLP
93765	Nozzle head, K3 Auto HVLP & RP
93773	S/S nozzle head, wo/pin
K3 Auto HVLP & RP	
94714	Pin
97824	Air distribution ring, w/puller, pk of 3
133934	O ring, 11x1, pk of 3
140574	Control knob w/screw
144618	Mounting post 15mm, G 1/4"
170787	Seal retainer

Rear mount seal #170787 (Late 2014 release)



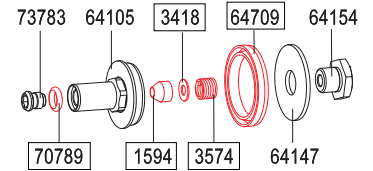
Repair kit

217505
Repair kit

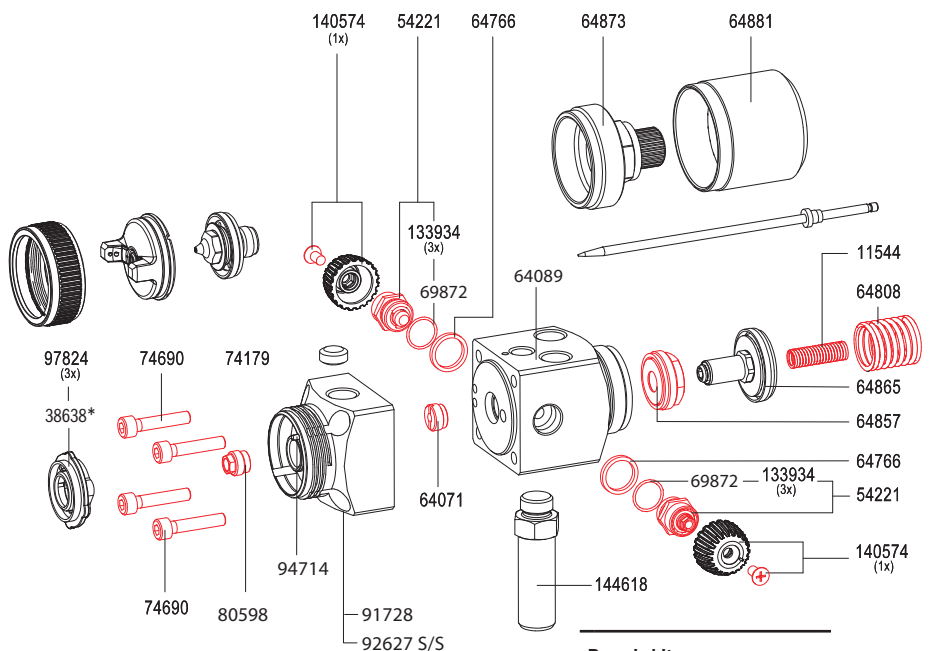
Tool kit

14183

- Extraction tool
- Cleaning brush
- Allen wrench 2 mm width
- Allen wrench 4 mm width
- Universal spanner
- Socket wrench



Front mount seal #80598



Repair kit

67082
Repair kit

SATAjet® 1000 A RP®



Technical data:	RP
Inlet pressure	50 - 60 psi
Air consumption at 50 psi	15 CFM
Required min. control air pressure	45 psi
Maximum permissible operating air pressure	150 psi
Maximum permissible operating material pressure	75 psi



0,8	1,1	1,3	1,5	2,0	3,0
-----	-----	-----	-----	-----	-----

Standard version

€	164129	164137	164145	164152	164160	-
---	--------	--------	--------	--------	--------	---

Stainless Steel version

€	164178	164186	164194	164202	164210	185074
---	--------	--------	--------	--------	--------	--------

Nozzle set

€	164228	164236	164244	164251	164269	185082
---	--------	--------	--------	--------	--------	--------

Test air cap for the setting the required spray parameters (reproducibility)

184747
Test air cap 0.5 - 1.7 cpl. with 2 pressure gauges, cpl. for SATAjet 1000 K/A/ROB RP

SATAjet 1000 A RP without nozzle set for extensions

169870 SATAjet 1000 A RP without nozzle set
169888 SATAjet 1000 A RP WA without nozzle set, version for waterborne paints

Plate-shaped internal mixing extension

164277 SATA plate-shaped internal mixing extension for SATAjet 1000 A RP, length 20 cm, nozzle 1.6, 360
164285 SATA plate-shaped internal mixing extension for SATAjet 1000 A RP, length 30 cm, nozzle 1.6, 360

▶ Nozzle sizes between 0.8 and 2.0 and lengths between 100 and 1,000 mm are available upon request

Diagonal spray extension

164293 SATA diagonal spray extension only for SATAjet 1000 A RP, length 20 cm, nozzle 1.6
164301 SATA diagonal spray extension only for SATAjet 1000 A RP, length 30 cm, nozzle 1.6

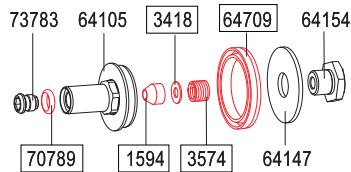
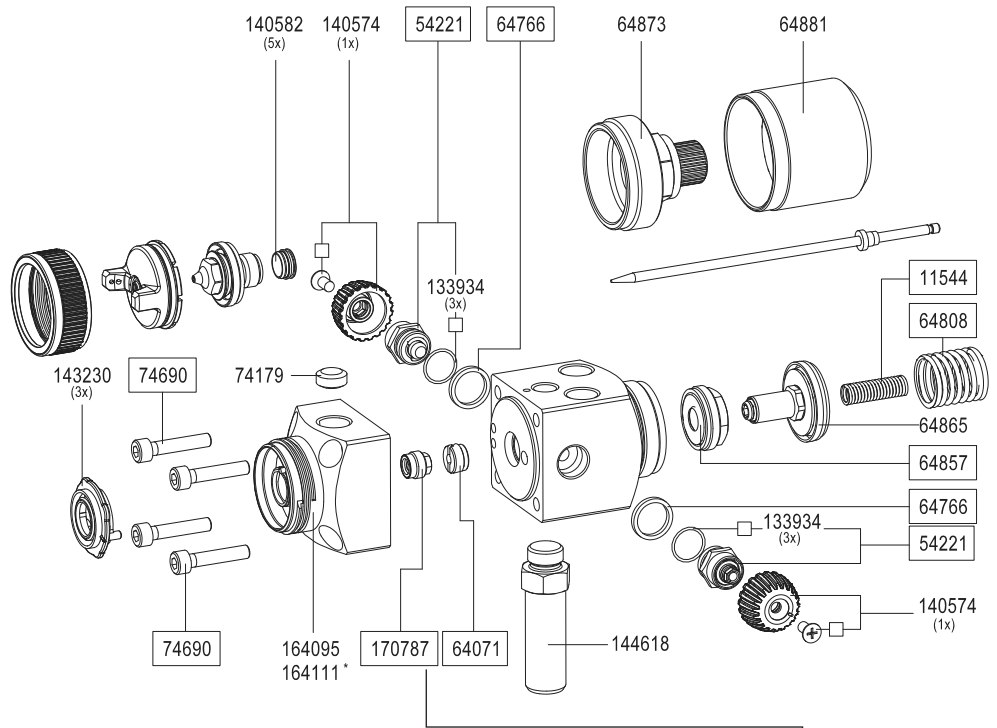
▶ Nozzle sizes between 0.8 and 2.0 and lengths between 100 and 1,000 mm are available upon request



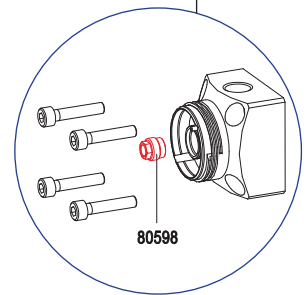
Errors, technical modifications and printing errors reserved.

Spare parts SATAjet® 1000 A

1594	Teflon seal
3418	Washer, 3.7 DIN 125 brass
3574	Compression spring
11544	Compression spring for needle
54221	Spindle complete
64071	Seal retainer
64105	Control piston
64147	Washer
64154	Hollow screw
64709	Sleeve
64766	Spacer
64808	Spring, compression
64857	Seal retainer, complete
64865	Control piston, complete
64873	End cap, complete
64881	Control cap, complete
70789	O ring, 5x2
73783	Hex socket screw
74179	Inner material seal
74690	Cylindrical screw M5x25, A2 stainless steel, DIN 912(version for waterborne paints)
80598	Seal retainer w/2 packings and metal ring for paint needle 3.5 mm - material side
133934	O ring, pk of 3
140574	Control knob w/screw
140582	Sealing elements 5 pk
143230	Distribution ring 3 pk
144618	Mounting post 15mm, G 1/4"
164095	Nozzle head cpl, jet 1000 A/ROB
164111	Nozzle head cpl, version waterborne, jet 1000 A/ROB



Spray guns produced before 8/2014:
Installation position of seal retainer above material passage
Part no. 80598



Repair kit

217505
Repair kit

Tool kit

- 14183
- Extraction tool
 - Cleaning brush
 - Allen wrench 2 mm width
 - Allen wrench 4 mm width
 - Universal spanner
 - Socket wrench



SATAmijet® 1000 A

RP® /HVLP



Technical data:	RP	HVLP
Atomization air pressure on the spray gun	36 - 45 psi	36 - 45 psi
Air consumption at 36 psi	7 CFM	6 CFM
Required min control air pressure	45 psi	45 psi
Max permissible material operating pressure	72 psi	145 psi
Max permissible operating temperature of coating material	176 F	176 F

0,3	0,5	0,8	1,0	1,2	1,4
-----	-----	-----	-----	-----	-----

Stainless steel version

RP	220517	203596	203604	220525	220533	-
HVLP	170746	170753	170761	170779	194902	*

Nozzle Set

RP	203661	203679	203687	203695	203703	-
HVLP	171009	171017	171025	171033	203711	*

Test air cap for the setting the required spray parameters (reproducibility)

204867

Test air cap 0.3 - 1.2 with 2 pressure gauges, cpl. for SATAmijet 1000 K/A/ROB RP

204875

Test air cap 0.3 - 1.2 with 2 pressure gauges, cpl. for SATAmijet 1000 K/A/ROB HVLP

*Available upon request

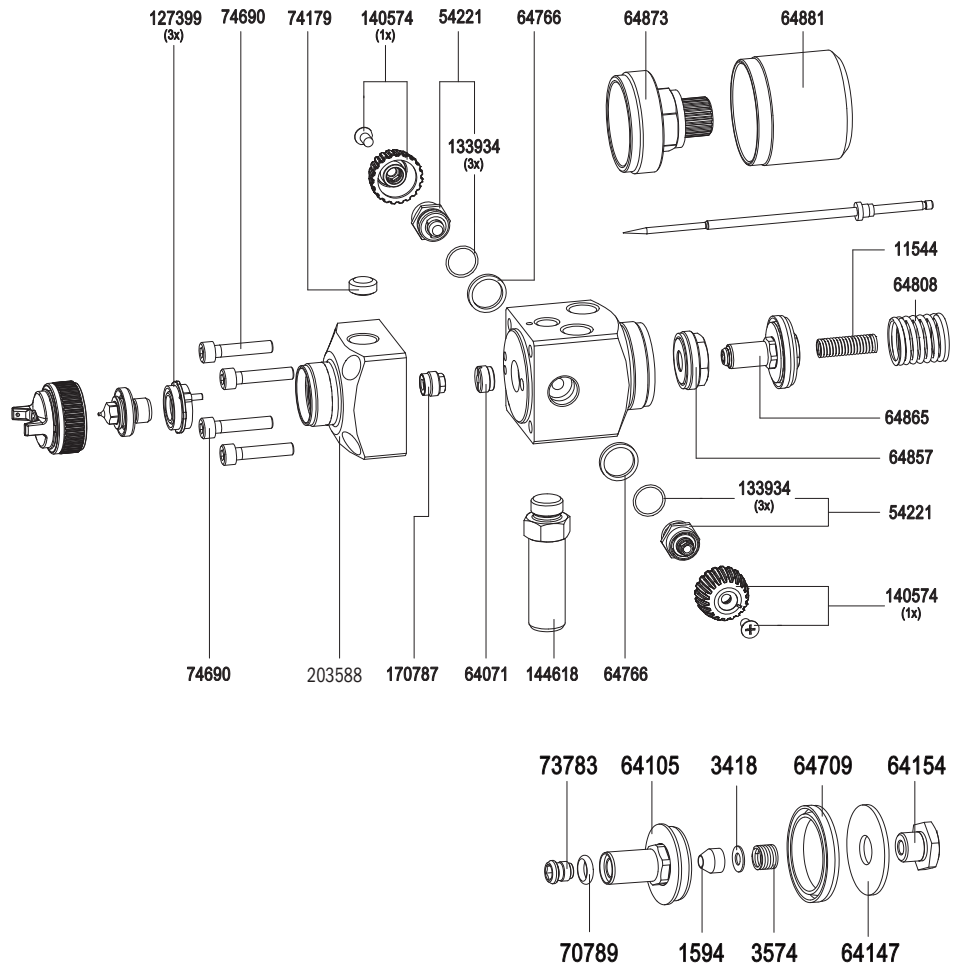
▶ Connection kits page 72 | 73

Errors, technical modifications and printing errors reserved.

Spare parts

SATAmijet® 1000 A

1594	Teflon seal
3418	Washer, 3.7 DIN 125 brass
3574	Compression spring
11544	Compression spring for needle
54221	Spindle complete
64071	Seal retainer
64105	Control piston
64147	Washer
64154	Hollow screw
64709	Sleeve
64766	Spacer
64808	Spring, compression
64857	Seal retainer, complete
64865	Control piston, complete
64873	End cap, complete
64881	Control cap, complete
70789	O ring, 5x2
73783	Hex socket screw
74179	Inner material seal
74690	Cylindrical screw M5x25, A2 stainless steel, DIN 912(version for waterborne paints)
127399	Air distribution rings, 3 pk
133934	O ring, 11x1, pk of 3
140574	Control knob w/screw
144618	Mounting post 15mm, G 1/4"
170787	Seal retainer, cpl material side SATAmijet 3000 A/ROB
203588	Nozzle head cpl, stainless steel



Repair kit

217505
Repair kit

Tool kit

- 14183
- Extraction tool
 - Cleaning brush
 - Allen wrench 2 mm width
 - Allen wrench 4 mm width
 - Universal spanner
 - Socket wrench



SATAmijet® 1000 ROB

RP® /HVLP



Technical data:	RP	HVLP
Atomization air pressure on the spray gun	36 - 43 psi	36 - 43 psi
Air consumption at 36 psi	7 CFM	5 CFM
Required min control air pressure	43 psi	43 psi
Max permissible material operating pressure	145 psi	145 psi
Max permissible operating temperature of coating material	176 F	176 F

	0,3	0,5	0,8	1,0	1,2	1,4
--	-----	-----	-----	-----	-----	-----

Stainless steel version

	0,3	0,5	0,8	1,0	1,2	1,4
RP	220624	203612	203620	220632	220640	-
HVLP	220590	203638	203646	203653	220608	*

Stainless steel version without material circulation for the use on quick change adapter 188557

	0,3	0,5	0,8	1,0	1,2	1,4
RP	*	195198	199182	*	*	-

Nozzle Set

	0,3	0,5	0,8	1,0	1,2	1,4
RP	203729	195206	203737	203745	203752	-
HVLP	203760	203778	203786	185678	185686	185694

Test air cap for the setting the required spray parameters (reproducibility)

204867
Test air cap 0.3 - 1.2 with 2 pressure gauges, cpl. for SATAmijet 1000 K/A/ROB RP

204875
Test air cap 0.3 - 1.2 with 2 pressure gauges, cpl. for SATAmijet 1000 K/A/ROB HVLP

*Available upon request



Errors, technical modifications and printing errors reserved.

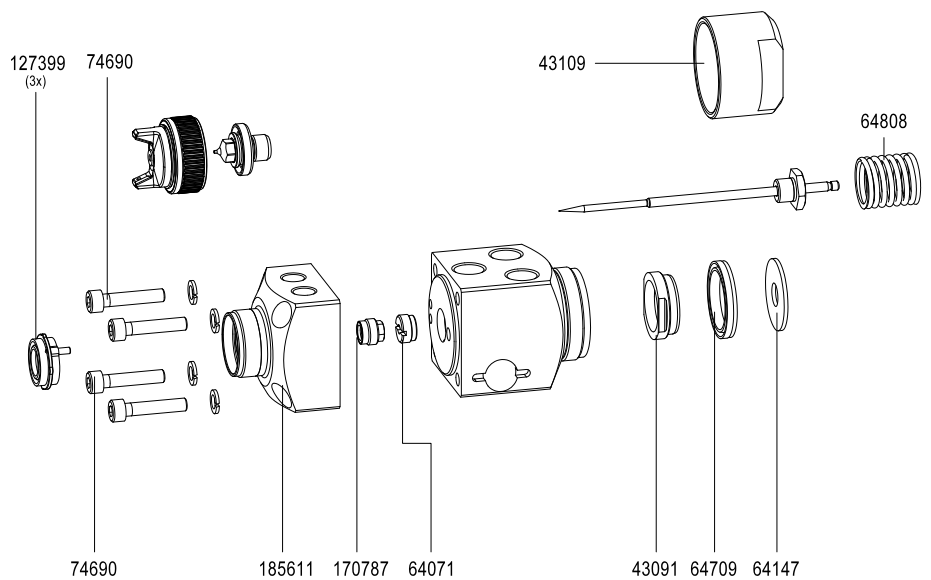
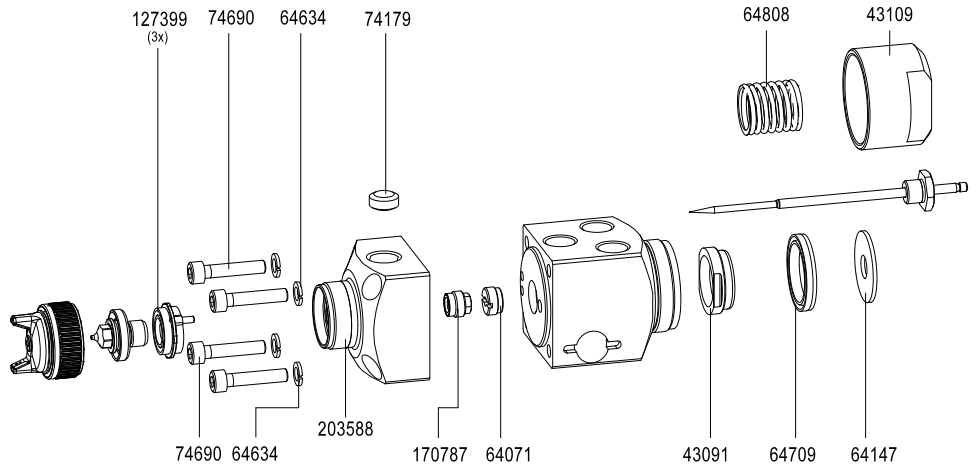


Spare parts

SATAmijet® 1000 ROB

14183	Tool kit
64071	Seal retainer, cpl w needle packing (air side)
64147	Washer
64709	Sleeve
64808	Compression spring
43091	Control piston
43109	Closing cap LP 90-ROB, completely processed, ready for assembly
74690	Cylindrical screw, M5x25, A2 stainless steel, DIN 912, for LP90 guns (vers for waterborne paints)
170787	Seal retainer, cpl. material side, ROB and Auto
127399	Air distribution ring, (3x)
203588	Nozzle head , cpl. SATAmijet 1000 A and 1000 minijet ROB, RP, stainless steel
185611	Nozzle head, cpl. for use with quick change mount

Previously SATAmijet 3000

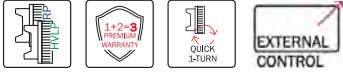


Tool kit

- 14183
- Extraction tool
- Cleaning brush
- Allen wrench 2 mm width
- Allen wrench 4 mm width
- Universal spanner
- Socket wrench



SATAmijet® 1000 A S HVLP



Technical data:

HVLP

Atomization air pressure on the spray gun 72 - 80 psi
min 8mm

Air consumption at 43 psi 7 CFM

Required min control air pressure 43 psi

Max permissible operating air pressure 150 psi

Max permissible operating material pressure 75 psi

Max permissible operating temperature of coating material 175 F

0,3	0,5	0,8	1,0
-----	-----	-----	-----

Stainless steel version

HVLP	149021	149039	149047	149054
------	--------	--------	--------	--------

Nozzle Set

HVLP	149476	149484	149492	149500
------	--------	--------	--------	--------

▶ Spray guns and nozzle sets with life time prolonging surface treatment of fluid tip and paint needle available upon request

Test air cap for the setting the required spray parameters (reproducibility)

204875

Test air cap 0.3 - 1.2 with 2 pressure gauges, cpl. for SATAmijet 1000 K/A/ROB HVLP



Spare parts

SATAmijet® 1000 A S

1503

Countersunk screw M4 - 8 DIN 965, stainless steel for micrometer, round/flat spray control

1933

Teflon sealing for paint needle, 5 pieces

2188

Spindle, complete, for regulation valve

3418

Washer, 3.7 DIN 125, brass

3574

Compression spring

3582

Packing screw for SATAjet paint needle

20297

Compression spring

22418

Teflon sleeve

24349

Backing plate

40253

Regulation cap, complete

45385

Hexagon nut M9X1 for taking sleeve

57976

Distance sleeve for SATA marking gun, ready for assembly

65557

Regulating knob and regulating valve

67116

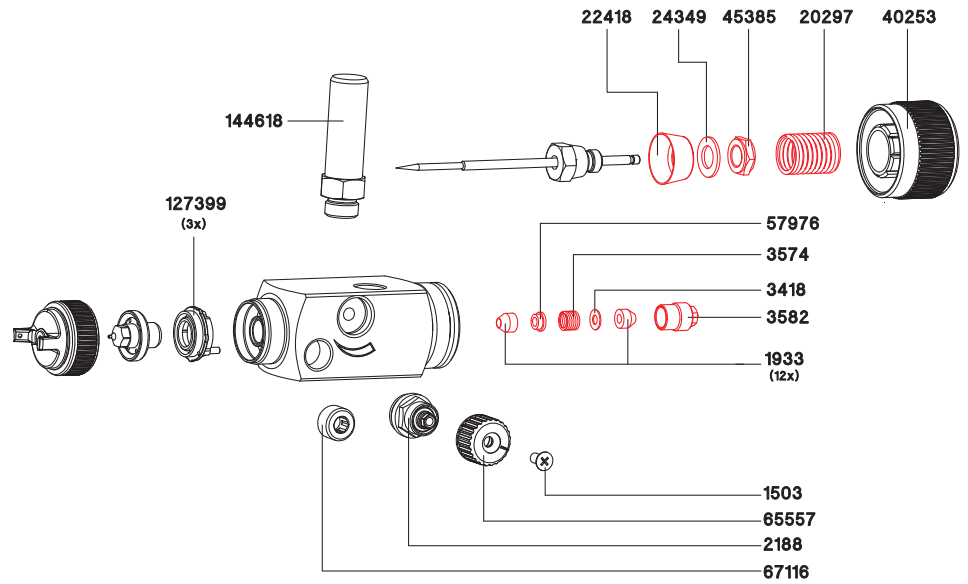
Locking screw MS R 1/4 inch for LP90 and breathing set NIOSH

127399

Air distribution rings, 3 pk

144618

Fixing bolt D 15 - G 1/4



Repair kit

40832

Repair kit

Tool kit

14183

- Extraction tool
- Cleaning brush
- Allen wrench 2 mm width
- Allen wrench 4 mm width
- Universal spanner
- Socket wrench



SATAjet® LPS 2000

RP®



Technical data:	RP
Air consumption LPS RB	7 - 9 cfm at 45 psi
Air consumption LPS R	4 - 5 cfm at 29 psi
Required min control air pressure	45 psi
Maximum permissible operating air pressure	150 psi
Maximum permissible operating material pressure	75 psi
Permanent atomization air for high operating frequencies	

0,5	0,8	1,3	2,0
-----	-----	-----	-----

SATA LPS RB 2000 RP marking gun with round/flat fan

RP	92908	92916	129726	177444
----	-------	-------	--------	--------

Nozzle Set

RP STD	93013	93021	93039	-
--------	-------	-------	-------	---

SATA LPS R 2000 marking gun with round fan

RP STD	92940	*
--------	-------	---

Nozzle Set

RP STD	93047	93054
--------	-------	-------

Nozzle Set with lifetime prolonging surface treatment of fluid tip and paint needle

RP STD	-	149286
--------	---	--------

*Available upon request

▶ Spray guns and nozzle sets with life time prolonging surface treatment of fluid tip and paint needle available upon request

Errors, technical modifications and printing errors reserved.



Spare parts

SATAjet® LPS 2000

1503	Countersunk screw M4 x 8 DIN 965, stainless steel, for micrometer und round/flat spray control
1933	Teflon sealing for paint needle, packing unit: 5
3418	Washer 3,7 DIN 125, brass
3574	Compression spring
3582	Packing screw for SATAjet paint needle
3657	Control knob and regulation valve
3939	Spindle cpl. for LP90 lab test gun
20297	Compression spring for LP-S
22418	Teflon sleeve for LP-S
24349	Backing plate for LP
40253	Regulation cap LP-S, complete
40832	Repair kit
45385	Hexagon nut M9X1 for taking sleeve (LP-S)
57976	Distance sleeve for SATA LP/S marking gun, ready for assembly
62513	Air distribution ring, sn. below 30,000
64212	14mm, M10 x 1.5
64766	Spacer
67116	Locking screw Ms R1/4 inch for LP90 and breathing set NIOSH
69724	Closing screw LP-90-spray mix
133934	Pack of 3 packings
134593	Pack of 3 air distribution rings for SATA LM 2000
144618	Fixing bolt D 15 - G 1/4

Repair kit

40832
Repair kit

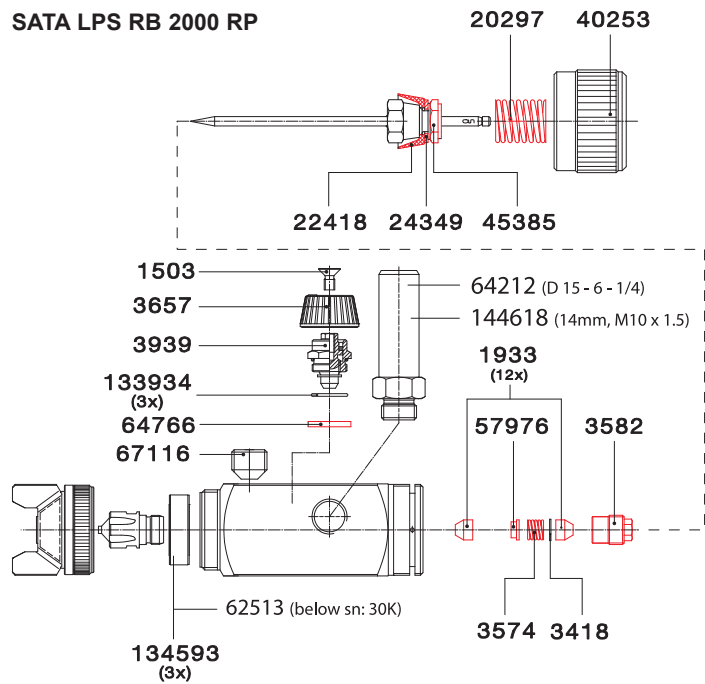
Tool kit

- 14183
- Extraction tool
- Cleaning brush
- Allen wrench 2 mm width
- Allen wrench 4 mm width
- Universal spanner
- Socket wrench

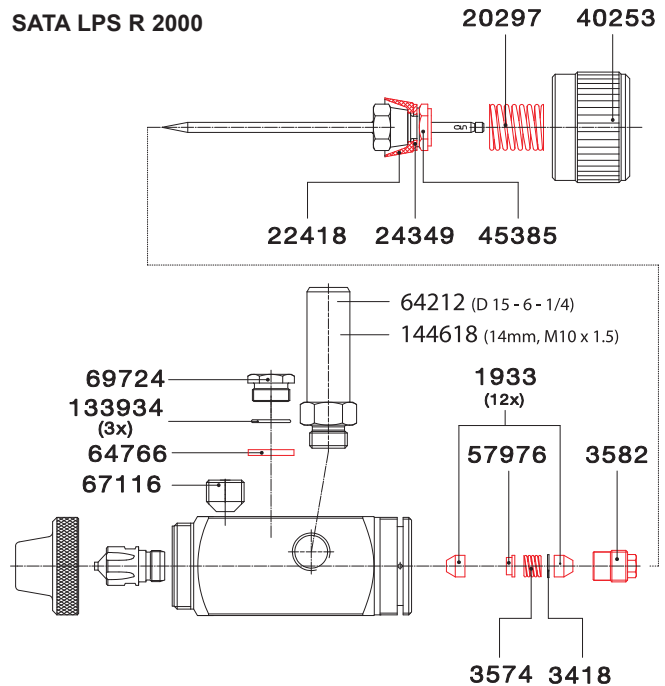


Errors, technical modifications and printing errors reserved.

SATA LPS RB 2000 RP



SATA LPS R 2000



SATAjet® 3000 A spray mix



Technical data:

Air consumption at 45 psi	Flat fan 3 CFM
	Round fan 8 CFM
Required min. control air pressure	45 psi
Maximum permissible operating air pressure	150 psi
Maximum permissible operating material pressure	3626 psi
Maximum permissible operating temperature of the coating material	120 F



Standard version

144519 SATAjet 3000 A spray mix with round/flat spray control, without material nozzle

Stainless Steel version

144527 SATAjet 3000 A spray mix for waterborne materials, with round/flat spray control, without material nozzle

70615 SATA material filter R 1/4" 100 MSH filter

Nozzle No.	Part No.	ø mm	ø inch	Angle	Width	oz/min @ 1015 psi
------------	----------	------	--------	-------	-------	-------------------

Fluid tip

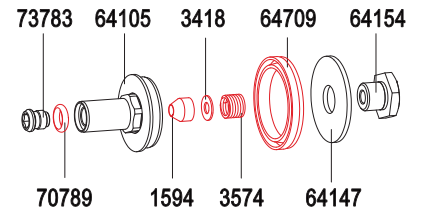
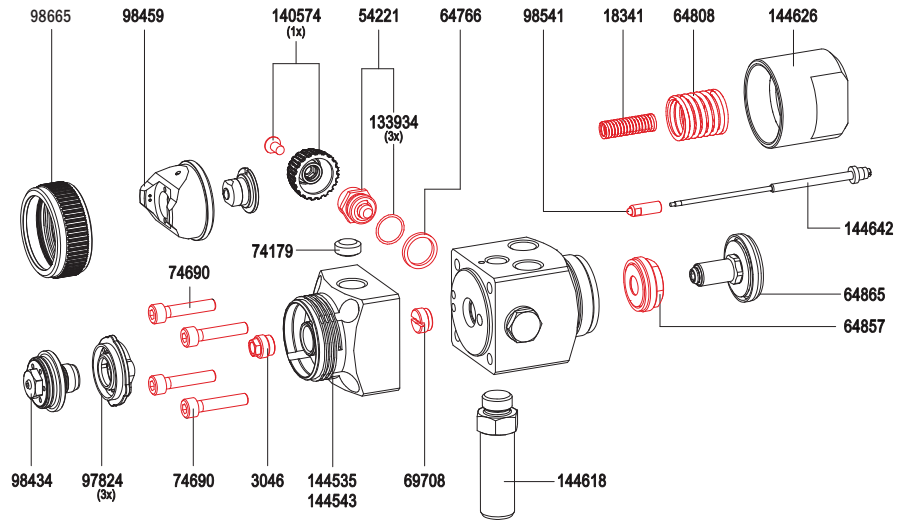
1840	23044	0,18	0,007	40°	7	5.41
2325	7328	0,23	0,009	25°	6	7.78
2350	7435	0,23	0,009	50°	9	7.78
2360	74922	0,23	0,009	60°	10	7.78
2825	16998	0,28	0,011	25°	6	10.14
2850	50906	0,28	0,011	50°	9	10.14
2865	13771	0,28	0,011	65°	10	10.14
3325	20206	0,33	0,013	25°	6	15.22
3350	50898	0,33	0,013	50°	9	15.22
3365	13789	0,33	0,013	65°	11	15.22
3375	74930	0,33	0,013	75°	13	15.22
3390	73742	0,33	0,013	90°	16	15.22
3825	13797	0,38	0,015	25°	6	20.63
3850	7344	0,38	0,015	50°	10	20.63
3882	74948	0,38	0,015	82°	14	20.63
4650	19307	0,46	0,018	50°	9	32
4682	74955	0,46	0,018	82°	14	32
5370	150276	0,53	0,021	70°	13	42
6050	17004	0,60	0,024	50°	12	53.76

Inversion nozzle for inversion switch

2550	207548	0,25	0,010	20°/50°	4/9	8.45
3050	207555	0,30	0,012	20°/50°	4/9	12.85
3550	207563	0,35	0,014	20°/50°	4/9	17
4050	207571	0,40	0,016	20°/50°	4/9	23.6

Spare Parts
SATAjet® 3000 A
spray mix

1594	Teflon seal for paint needle
3046	Seal retainer complete, for nozzle head
3418	Washer 3,7 DIN 125, brass
3574	Compression spring
18341	Compression spring
54221	Spindle complete
64105	Control piston for SATA LP, ready for assembly
64147	Washer for SATA LP90, ready for assembly
64154	Hollow screw for SATA LP90 ready for assembly
64709	Sleeve for SATA LP90
64766	Spacer
64808	Compression spring for SATA LP90
64857	Seal retainer LP90, big, complete with piston packing
64865	Control piston for SATA LP90
69708	Seal retainer for LP90/spray mix cpl w/needle packing
70789	O-ring 5 x 2mm, ethylene-propylene
73783	Hexagonal socket-head screw
74179	Intermediate piece for LP90
74690	Cylindrical screw M 5x25, A2 stainless steel, DIN 912, waterbrn
97824	Air distribution rings 3 pk
98434	pre-nozzle, cpl
98459	Air cap, cpl. round/flat fan
98541	Needle tip, cpl
98665	air cap ring, 3000 spray mix only
133934	Packings, 3 pk
140574	Control knob and screw 1x
144535	Nozzle head cpl, pre-assembled
144543	Nozzle head cpl for waterborne materials, for SATA LP jet K3 spray mix, pre-assembled
144618	Fixing bold D 15 - G 1/4
144626	Closing cap for SATA LP jet K3 spray mix
144642	Paint needle cpl for SATA LP jet K3 spray mix with needle sleeve



Errors, technical modifications and printing errors reserved.

Repair kit

144733
 Repair kit LP jet K3 spray mix

Tool kit

- 14183
- Extraction tool
 - Cleaning brush
 - Allen wrench 2 mm width
 - Allen wrench 4 mm width
 - Universal spanner
 - Socket wrench



SATAjet® Lab Test

RP® /HVLP



WSB	1,2W	1,2	1,3	1,4
-----	------	-----	-----	-----

SATAjet 5000 Lab test spray gun with 0.6 l PVC reusable cup with spray pattern and test protocol

RP	-	224592	1028803	224576	224584
HVLP	224568	-	1032086	224543	224550

WSB	1,0	1,2	1,2W	1,3	1,4	1,5	1,6
-----	-----	-----	------	-----	-----	-----	-----

SATAjet 4000 Lab test spray gun with 0.6 l PVC reusable cup with spray pattern and test protocol

RP	-	-	182634	182659	182642	-	-	-
HVLP	182618	219766	-	-	182626	-	-	-

Nozzle set

RP	-	-	184903	184911	184895	198747	-	141374
HVLP	184929	-	-	184937	-	198960	198754	-

WSB	1,0	1,2	1,3	1,4	1,5	1,6	
-----	-----	-----	-----	-----	-----	-----	--

SATAjet 3000 Lab test spray gun with 0.6 l PVC reusable cup with spray pattern and test protocol

RP	-	221218	118216	140368	157313	-	-	-
HVLP	149633	-	-	148619	-	-	-	-

Nozzle set

RP	-	140871	119750	140350	141366	-	141374	-
HVLP	-	-	148726	-	-	-	-	-

WSB	1,3	1,5
-----	-----	-----

SATAjet 2000 Lab test spray gun with 0.6 l PVC reusable cup with spray pattern and test protocol

HVLP	94821	90829	-
------	-------	-------	---

Nozzle set

HVLP	141416	16485	16519
------	--------	-------	-------

SATA LP jet MSB LAB Test

72595

SATA LP90 lab test spray gun, all material passages made of stainless steel, nozzle MSB 1.35, 0.6 l PVC cup, with spray pattern and test protocol

Nozzle sets

72603

Nozzle set SATA LP90 lab test spray gun MSB 1.35 with test protocol and spray pattern

81786

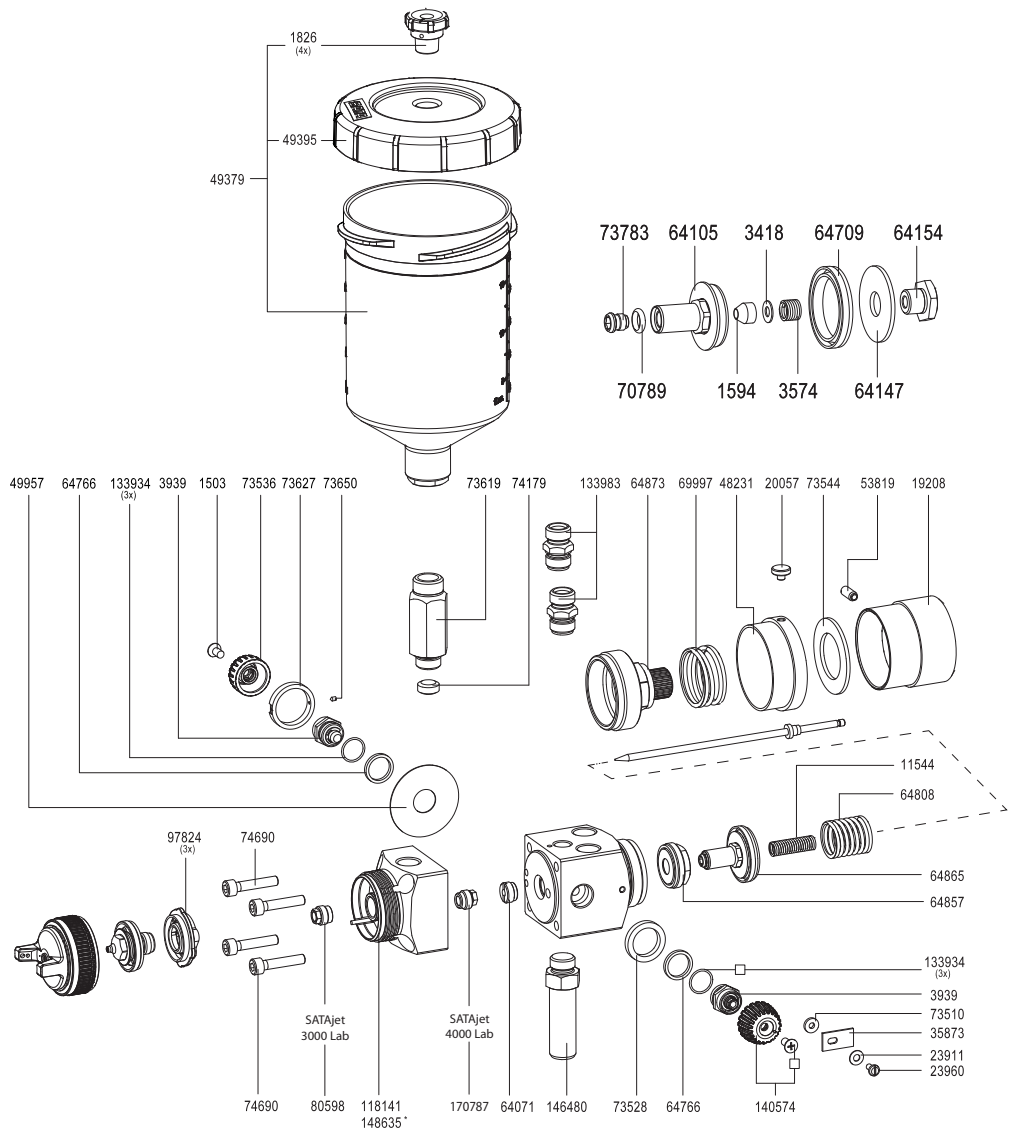
Nozzle set SATA LP90 ROB lab test spray gun MSB 1.35 with test protocol and spray pattern



Spare Parts

SATAjet® Lab Test

1503	Countersunk screw M4 x 8
1594	Teflon seal
1826	4 pc non-drip devices for 0.6L PVC cup
3418	Washer, 3.7
3574	Spring, needle packing
3939	Spindle cpl for LP 90 lab test
11544	Spring, needle
19208	LP90 regulation cap, flexible material flow control, nickel-lated, read
20057	Control screw for flexible material flow control
23911	Disc 3.2 DIN 125, nickel-plated for trigger spray-mix
23960	Countersunk screw M 3x6, DIN 85AM 3x6 4.8 galvanized
35873	Scale, anodized with press cut holes
48231	Scale ring for LP90 test gun, nickel-plated, black engraving
49379	Plastic gravity cup 0.6L lid
49395	Screw-on lid for 0.6L PVC cup with drip-catching ring and non-drip device
49957	Scale plate
53819	Flexile compression piece M5 for stroke retainer HKD-EDDINOL and LP90, SS
64071	Seal retainer, cpl w/ needle packing (air side)
64105	Control piston for SATA LP, ready
64147	Washer
64154	Hollow screw
64709	Sleeve
64766	Spacer
64808	Spring, compression
64857	Seal retainer, complete
64865	Control piston, complete
64873	End cap, complete
69997	Compression spring
70789	O ring, 5x2
73510	Spacer
73528	Blocking plate
73536	Control knob
73544	Intermediate washer
73619	Reduction nipple for LP90 test gun - waterborne
73627	Index ring
73650	Threaded pin M2 x 3 DIN 554
73783	Hexagonal socket-head screw
74179	Intermediate piece LP90
74690	Cylindrical screw M 5 x 25, A2SS, DIN 912 waterborne
80598	Seal retainer, cpl 2 pkgs and metal ring for paint needle 3.5mm material side
97824	Air distribution ring, 3 pk



118141	Nozzle head cpl
133934	Packings, 3 pk
133983	air connection G1/4 male thr
140574	Control know and screw 1x
146480	Fixing bold D 14 - G1/4
148635	Nozzle head, cpl
170787	Seal retainer cpl material side

Tool kit

- 14183
- Extraction tool
 - Cleaning brush
 - Allen wrench 2 mm width
 - Allen wrench 4 mm width
 - Universal spanner
 - Socket wrench



Errors, technical modifications and printing errors reserved.



SPRAY GUNS

CUP SYSTEMS



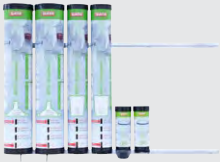


BREATHING PROTECTION

FILTER TECHNOLOGY

ACCESSORIES

DAN-AM COMPANY

Cup Systems

Cup type/capacity	Fields of application	Operating mode
 <p>SATA RPS multi-purpose cups 0,3 l / 0,6 l / 0,9 l 94 – 98</p>	<p>Multi-purpose gravity cup with paint sieve for frequent color changes. For mixing, painting and storing. No adapters required for all current SATA spray guns</p>	<ul style="list-style-type: none"> Optionally available with QCC bayonet lock and male thread Adapters for older SATA spray gun models and spray guns from other manufacturers are available
 <p>SATA reusable cup 0.125 l / 0.15 l / 0.3 l / 0.6 l / 0.75 l / 1.0 l 98 – 99</p>	<p>Reusable plastic or aluminum gravity flow cups for SATA spray guns</p>	<ul style="list-style-type: none"> Optionally available with QCC bayonet lock and male thread or with female thread for older SATA spray gun models
 <p>SATA RPS Dispenser Wall dispenser / Rotawall kit / Rotaflour kit 100 – 101</p>	<p>RPS dispenser to keep all your RPS cups, lids, and sieves in an organized location</p>	<ul style="list-style-type: none"> Allows to conveniently take out individual SATA RPS components Filling level indication to ensure replenishment in due time Re-filling is a swift process which only requires a quick removal of the tubes from the brackets.
 <p>SATA agitator cup 0.7 l 102</p>	<p>Reusable aluminum gravity flow cup with integrated agitator for the application of materials with settling components, e.g. effect paints. Agitator with air regulation valve for speed adjustment</p>	<ul style="list-style-type: none"> Optionally available with QCC bayonet lock and male thread
 <p>SATA BVD pressurized cup 0.7 l 103</p>	<p>Pressurized reusable aluminum gravity flow cup for the application of high-viscosity materials</p>	<ul style="list-style-type: none"> Optionally available with QCC bayonet lock and male thread or with female thread for older SATA spray gun models

Collect coins with every cup now!

SATA Loyalty Program coins & more

Further Information:
www.sata.com/loyalty



SATA® RPS®

Multi-Purpose Cup System

Suitable for all paint materials! Please observe the recommendations of the paint manufacturers to choose the correct sieves (flat sieve 125 µm or plug-in sieve 200 µm).



SATA RPS 0,3 l

Packing unit 60 pieces

1010553

SATA RPS 0.3 l minijet, 125 µm flat sieve



Packing unit 60 pieces

1010561

SATA RPS 0.3 l minijet, 200 µm plug-in sieve



Packing unit 40 pieces

1010389

SATA RPS 0.3 l standard, 125 µm flat sieve



Packing unit 100 pieces

1010420

SATA RPS 0.3 l standard, 125 µm flat sieve

Packing unit 40 pieces

1010397

SATA RPS 0.3 l standard, 200 µm plug-in sieve



Packing unit 100 pieces

1010404

SATA RPS 0.3 l standard, 200 µm plug-in sieve

SATA RPS 0.6 l

Packing unit 60 pieces

1010438

SATA RPS 0.6 l 125 µm flat sieve



Packing unit 60 pieces

1010488

SATA RPS 0.6 l 200 µm plug-in sieve



Packing unit 60 pieces

1010545

SATA RPS 0.6 l 200 µm flat sieve



SATA RPS 0.9 l

Packing unit 40 pieces

1011973

SATA RPS 0.9 l, 125 µm flat sieve



Packing unit 40 pieces

1011981

SATA RPS 0.9 l, 200 µm plug-in sieve



Packing unit 40 pieces

1012004

SATA RPS 0.9 l, 200 µm flat sieve



SATA RPS 0.6 l UV

Packing unit 60 pieces

1010496

SATA RPS UV 0.6 l 125 µm flat sieve



Packing unit 60 pieces

1010503

SATA RPS UV 0.6 l 200 µm plug-in sieve



Spare parts

SATA® RPS®

1013226

Spare lid for SATA RPS 0.6 I / 0.9 I (packing unit 80 pieces)

131979

Spare flat sieve 125µm, pastel blue (packing unit 100 pieces) for SATA RPS 0.6I / 0.9I

131987

Spare plug-in sieve 200 µm, pastel green (packing unit 100 pieces) for SATA RPS 0.3 I / 0.6 I / 0.9 I

144964

Spare flat sieve 200 µm, pastel green (packing unit 100 pieces) for SATA RPS 0.6 I / 0.9 I

160606

Spare flat sieve 125 µm, pastel blue (packing unit 60 pieces) for SATA RPS 0.3 I

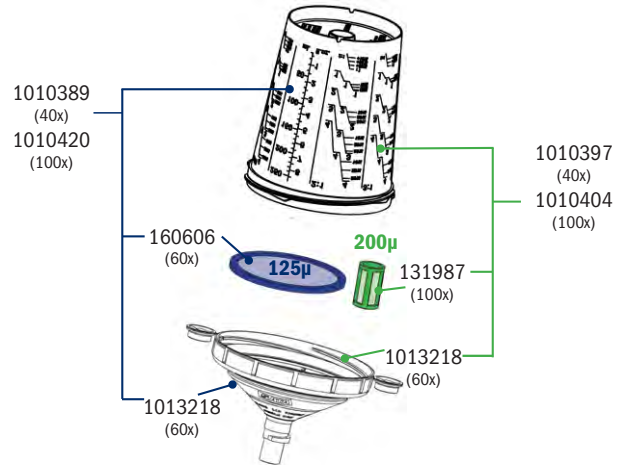
1013218

Spare lid for SATA RPS 0.3 I Standard (packing unit 60 pieces)

1013234

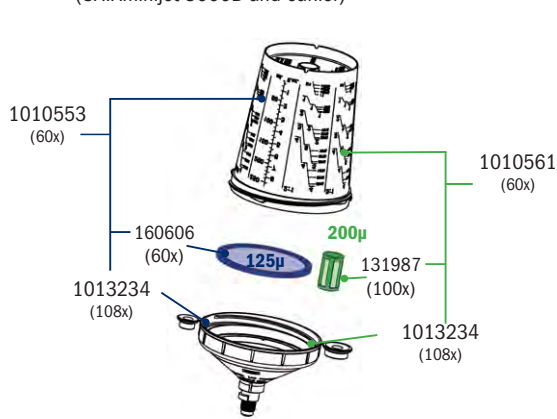
Spare lid for SATA RPS 0.3 I minijet (packing unit 108 pieces)

SATA RPS 0.3 I Standard

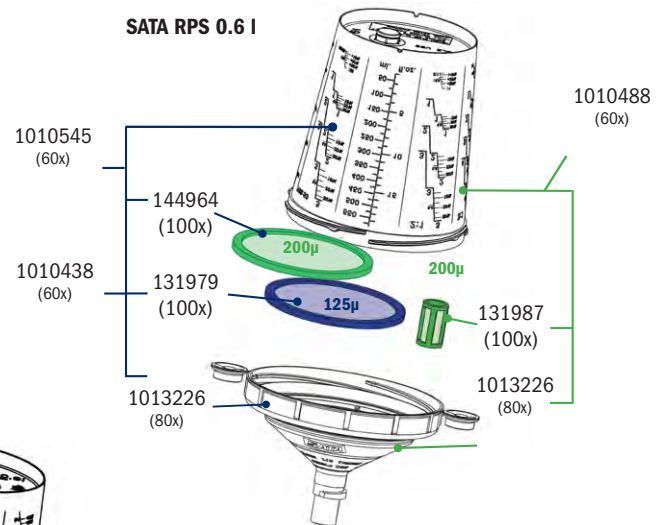


SATA RPS 0.3 I minijet

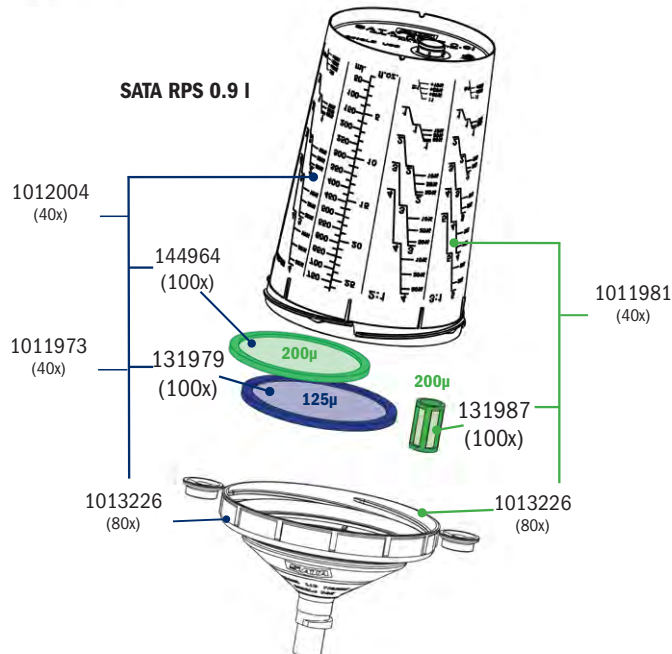
(SATAMinijet 3000B and earlier)



SATA RPS 0.6 I



SATA RPS 0.9 I



Errors, technical modifications and printing errors reserved.

Accessories for SATA® RPS™

Accessories for SATA RPS

127852 Cleaning solution bottle 1.0 l



127860 Pressure pump spray bottle, 1.0 l



127845 RPS 6-pack cup carrier



165399 SATA RPS mix lid w/ 50 lids for RPS 0.6 l and 0.9 l (allows for stacking RPS cups)



173435 Shaker ring for the 0.03 l

117051 Shaker ring for 0.06 l and 0.09 l



170845 Mixing stick for an effective mixing of paint components.
Suitable for all waterborne and solvent borne paints

Pack of 50














144840 RPS Depot
Storage rack to hold up to three RPS cup boxes
(RPS cups not included)



RPS adapter for spray guns

RPS adapter for spray guns






Manufacturer:

	SATA		IWATA		Walcom		DeVilbiss		Eminent		Algunsä		Asturo		Graco		Sagola		Dux		Dürr		Sharpe		Walthert Pilot		Kremlin		Fuji		
	SATAjet B, jet GR, jet NR 95	SATAjet 2000, jet RP, LM 2000 B, jet 90, KLC	SATA LM B 92	SATAmijet 3000 B, minijet 1 - 4, jet 20 B	W400, WR 400, LPA 94, XL Primer Gun, LPH 400	W 300, LPH 300, LS 400	Supernova, WS 400	LPH 80	Genesis Carbon	FX GEO, FX HVP	PRI, GTI, GFP, GFV, GFHV	510, DV 1	Starting Line HVLP Spray Gun	Starting Line Mini Spray Gun	SRI	E13 Eminent	AZ40 HTE	OW Green	3M PPS	403 G, 433 G, 434 G, 444 G, 450 G, 4100 G	475 Mini-Gun	4400 G Extreme, 4500 G Extreme	Gravity flow cup spray gun	Ecogun 910	Finex FX 300	Platinum, Titanium	III F	M 21 G	MP-V8, H-V8	MPX-30, LX-20	
 125211 RPS adapter No. 1 with QCC and connection M 16 x 1.5 (female thread)	X			X																										X	
 125237 RPS adapter No. 2 with QCC and connection M 16 x 1.5 (male thread) for SATAjet NR2000 and SATAjet RP without QCC / SATA LM 2000 B, SATA KLC, SATAjet 90		X						X																							
 125252 RPS adapter No. 3 with QCC and connection 3/8" (male thread)									X																						
 125278 RPS adapter No. 4 with QCC and connection 1/4" (male thread)				X											X	X															
 125294 RPS adapter No. 5 with QCC and connection M 12 x 1 (male thread)								X									X														
 126326 RPS adapter No. 6 with QCC and connection 3/8" (male thread)																		X													
 133595 RPS adapter No. 7 with QCC and connection M 12 x 1.5 (male thread)			X																X			X									
 133827 RPS adapter No. 8 with QCC and connection G 3/8"-18 (female thread)																							X	X							
 135111 Spray gun adapter No. 9 with QCC and connection thread G 3/8" male thread -18 NPSF																									X				X		
 135798 RPS adapter No. 10 with QCC and connection M 10 x 1 (male thread)				X																X											
 150136 RPS adapter No. 13 with QCC and connection M 16 x 1.5 (male thread)									X																						

Errors, technical modifications and printing errors reserved.

RPS adapter for spray guns

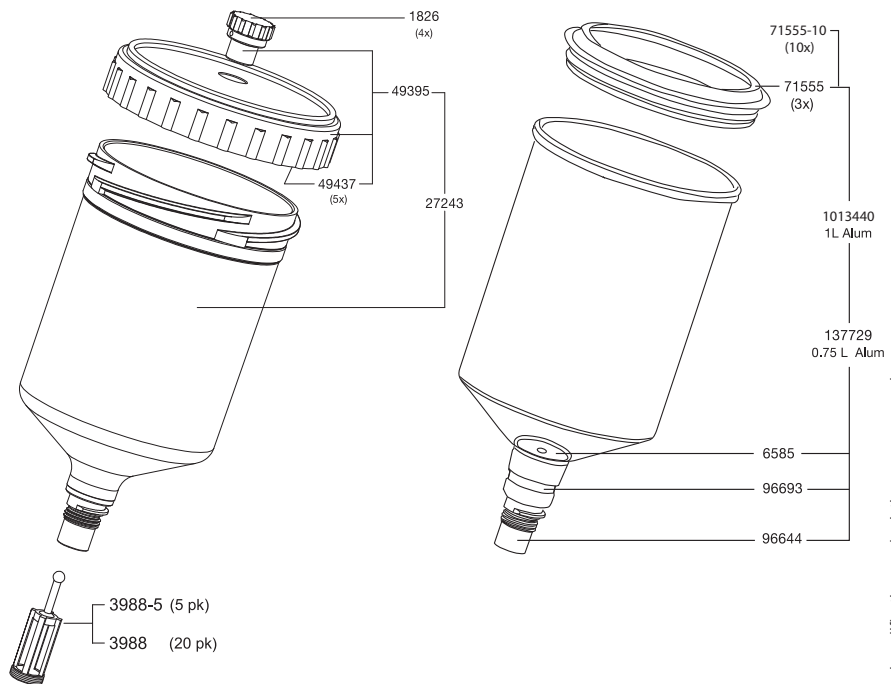
Manufacturer:

	SATA		IWATA		Walcom	Devilbiss		Eminent	Airgunsa	Asturo	Graco	Sagola		Dux	Dürr	Sharpe	Waither Pilot	Kremlin	Fuji						
	SATAjet B, jet GR, jet NR 95	SATAjet 2000, jet RP, LM 2000 B, jet 90, KLC	SATA LM B 92	SATAmijet 3000 B, minijet 1-4, jet 20 B, W400, WR 400, LPA 94, VXL Primer Gun, LPH 400 W 300, LPH 300, LS 400 Supernova, WS 400 LPH 80	Genesis Carbon	FX GEO, FX HVL P	PRI, GIT, GFP, GFV, GFHV 510, DV 1	Starting Line HVL P Spray Gun	Starting Line Mini Spray Gun	SRI	E13 Eminent	AZ40 HIE	OM Green	3M PPS	403 G, 433 G, 434 G, 444 G, 450 G, 4100 G	475 Mini-Gun	4400 G Extreme, 4500 G Extreme	Gravity flow cup spray gun	EcoGun 910	Finex FX 300	Platinum, Titanium	III F	M 21 G	MP-V8, H-V8	MPX-30, LX-20
	150151	RPS adapter No. 14 with QCC and connection M 11 x 1 (male thread)						X																	
	164608	RPS adapter No. 15 with QCC and connection thread 7/16" - 14 UNC							X																
	188664	RPS adapter No. 18 with QCC and connection M 18 x 1.5 (female thread)												X											
	193276	RPS-Adapter No. 19 with QCC and connection 1/8" (male thread)			X																				
	215079	RPS adapter No. 20 with QCC and connection 1/4" (male thread)																			X	X			

Spare Parts

SATA® Aluminum and PVC Gravity Flow Cups for Spray Guns

1826	Non-drip device, pk of 4
3988	Sieve, pk of 20
3988-5	Sieve, pk of 5
6585	Insert, aluminum cup
27243	Cup, 0.6L QCC plastic, cpl
49395	Lid, 0.6L plastic
49437	Cup Lid Drip Ring, 0.6L, pk of 5
71555	Lid, plastic, pk of 3
96644	Nipple, QCC aluminum cup
96685	Cup, 1L QCC aluminum, cpl, no threads
96693	Ring, QCC marking
96719	Adapter, QCC to PPS cup
96875	Inner cup seal
137729	Cup, 0.75 L alum, cpl
1013440	Cup, 1L QCC aluminum, cpl, threaded





















96719 QCC adapter, PPS Full size

Errors, technical modifications and printing errors reserved.



Gravity flow cup for spray guns

		Gun type				
Capacity	Part No.	QCC/ w/o connection threads, suitable for: SATAjet X 5500 PHASER, SATAjet X 5500, SATAjet 5000 B, jet 4000 B, jet 3000 B, jet 2000, jet 1500 B, jet 1000 B, jet 100 B, jet RP, SATAminijet 4400 B	QCC/ with connection threads, suitable for: SATAjet 2000, jet RP, KLC, LM 2000 B, jet 90	SATAjet B, jet GR, jet NR 95	SATAMinijet 3000 B, minijet 1 - 4, jet 20 B	Lids
PVC reusable cup						
0,125 l	197541					199075
0,125 l	125443					95448
2.2 oz 63ml	15669				 Use with adapter #129346	15909
2.2 oz 63ml	153551				 incl adapter #129346	15909
3.0 oz 85ml QCC	165142					95448
0,3 l	120675	 No threads				
0,3 l	128470					121293
0,6 l	49379					49395
0,6 l	27243		 1004960			49395

		Gun type				
Capacity	Part No.	QCC/ w/o connection threads, suitable for: SATAjet X 5500, SATAjet 5000 B, jet 4000 B, jet 3000 B, jet 2000, jet 1500B, jet 1000 B, jet 100 B, jet RP, SATAminijet 4400 B	QCC/ with connection threads, suitable for: SATAjet 2000, jet RP, KLC, LM 2000 B, jet 90	SATAjet B, jet GR, jet NR 95	SATAMinijet 3000 B, minijet 1 - 4, jet 20 B	Lids
Aluminum reusable cup						
0,15 l	198911					64022 pk of 3
0,15 l	125948					64022-10 pk of 10
0,75 l	6601					
0,75 l	137729		 1013432			71555 pk of 3
1,0 l	46631					71555-10 pk of 10
1,0 l	96685					
1,0 l	1013440					

SATA® RPS® Dispenser

Technical data:

SATA RPS wall dispenser	31" W x 39" H x 7" deep
SATA RPS extension kit:	15" W x 39" H x 7" deep
SATA RPS rotawall adapter kit:	25" diameter, 53" tall
SATA RPS rotafloor adapter kit:	25" diameter, H max: 82"; H min: 48"



Available versions

195784

SATA RPS wall dispenser, standard version: 2x cup tubes / 2x lid tubes / 2x sieve tubes and 2x aluminum slats



195776

SATA RPS extension kit, add-on kit: 1x cup tube / 1x lid tube / 1x sieve tube for flat sieves, with aluminum slat



196543

SATA RPS rotawall adapter kit
Compact wall mounting version, carousel ground spindle and wall holder (top and bottom)
Tubes are not included in the scope of delivery.



196550

SATA RPS rotafloor adapter kit
Workbench/floor version: carousel, base spindle, steel pipe
+ 197723 (floor plate)



Accessories for SATA RPS

213629

Fixing kit for dispenser tubes lid/cup with adhesive pad, adhesive foil, holder for SATA RPS dispenser



213637

Cup holder for tube for SATA RPS dispenser



213645

Absorption brush for lid standard for SATA RPS dispenser



213652

Absorption brush for lid mini for SATA RPS dispenser

213660

Dispenser tube for lids for SATA RPS dispenser



213678

Cardboard tube for cups for SATA RPS dispenser



213686

Tube for plug-in and flat sieves for SATA RPS dispenser



215483

Fixing rivet (packing unit 4 pieces) for absorption brush for SATA RPS dispenser



215616

Spare part flat sieve dispenser bottom (1x) for SATA RPS dispenser



1008285

Support frame for lid dispenser for SATA RPS dispenser



1008227

Dispenser flap for plug-in sieve for SATA RPS dispenser



1008219

Dispenser bowl for plug-in sieve for SATA RPS dispenser



1028605

Bracket for plug-in sieve dispenser tray for SATA RPS dispenser



SATA® Siphon Cups and Cup Adapters

Aluminum Siphon cup

Gun type	SATAjet 1000 H, Satajet H, LM 2000 H, GR/H-92, LM/H92 std		
Capacity	Order No.	SATAjet/H NR-92, SATAjet/H NR-95	







Reusable Aluminum Siphon cup

1.0 l	2691			
-------	------	---	--	--






Glass cups

Gun type	SATAminijet 4400 B	SATAminijet 2, 3, 4 SATAminijet 3000 B	SATA dekor SATAjet 20 B	
Capacity	Order No.			

Side mount glass siphon cups

25 ml plug-in cup, each	16295	X	X	X	
25 ml plug-in cup, pk of 5	53033	X	X	X	
25 ml plug-in cup, pk of 5 w/ QCC & threaded plug-in adapter	125963	-	X	X	
25 ml plug-in cup, pk of 5 w/ QCC plug-in adapter	200238	X	-	-	
25 ml blind cup, each	16386	X	X	X	
25 ml blind cup, pk of 5	58164	X	X	X	

Cup Adapters

96719	QCC cup adapter for PPS cup, full size guns	
125955	Plug-in cup connection with QCC SATAminijet (3000 B and earlier) SATAjet 20 B (dekor) cup adapter, glass siphon cups	
200220	Plug-in cup connection with QCC (std size) SATAminijet 4400 B	
129346	2.2 fl. oz. QCC cup adapter for SATAminijet 3000 B	
169326	3.0 fl. oz. QCC cup adapter for full size SATA guns	

Errors, technical modifications and printing errors reserved.



SATA® BVD™ Pressurized Cup

SATA BVD conversion kit

25775

SATA BVD conversion kit with QCC without fine thread for SATAjet X 5500, 5000 B, 4000 B, jet 3000 B, jet 2000, jet 1500, jet 1000 B, jet 100 B, jet RP



57505

SATA BVD extension-set for SATAjet B and GR/B-92

73254

Repair kit for control fitting spray master and BVD

Spare parts

SATA® BVD™

8268

Sealing ring

20412

Cup only, female threads

20438

Safety pressure relief valve, BVD

20461

Plastic air hose for BVD and agitator cup

21014

Aluminum lid, complete

21048

Pressure cup with lid

25577

Pressure cup with lid, QCC

29678

Cup only, QCC

53777*

Air connection for aluminum lid

54049

Sealing ring, (4x)

65920

Pressure regulator assembly

70664

Anti drip device, (10x)

83493

Connection for pressurize cup, complete

83501

Air hose cpl. dw/pressurized cup connection for SATA Spray-Master

120816

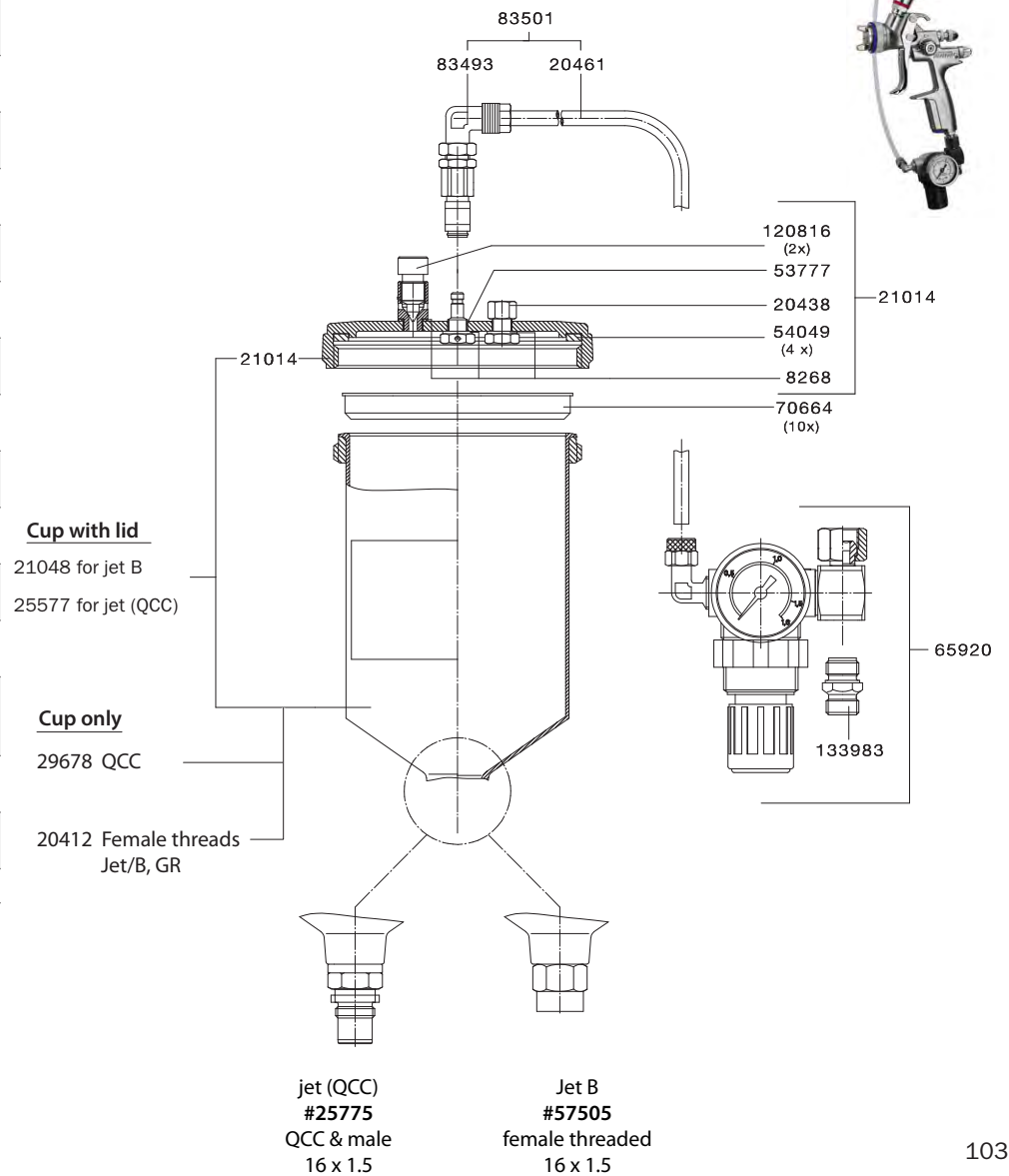
Pressure release screws (2x)

133983

Air connection piece G1/4 thread

*please also order 8268

(gun not included)



Errors, technical modifications and printing errors reserved.

SATA® Agitator Cup

Agitator cup

9951

SATA agitator-cup for SATAjet B and GR/B-92 (supplementary equipment)

29926

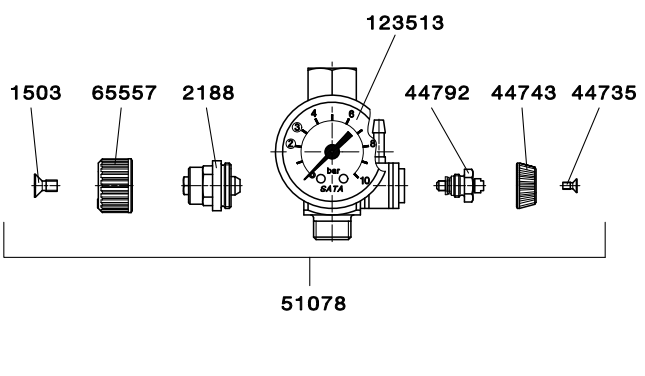
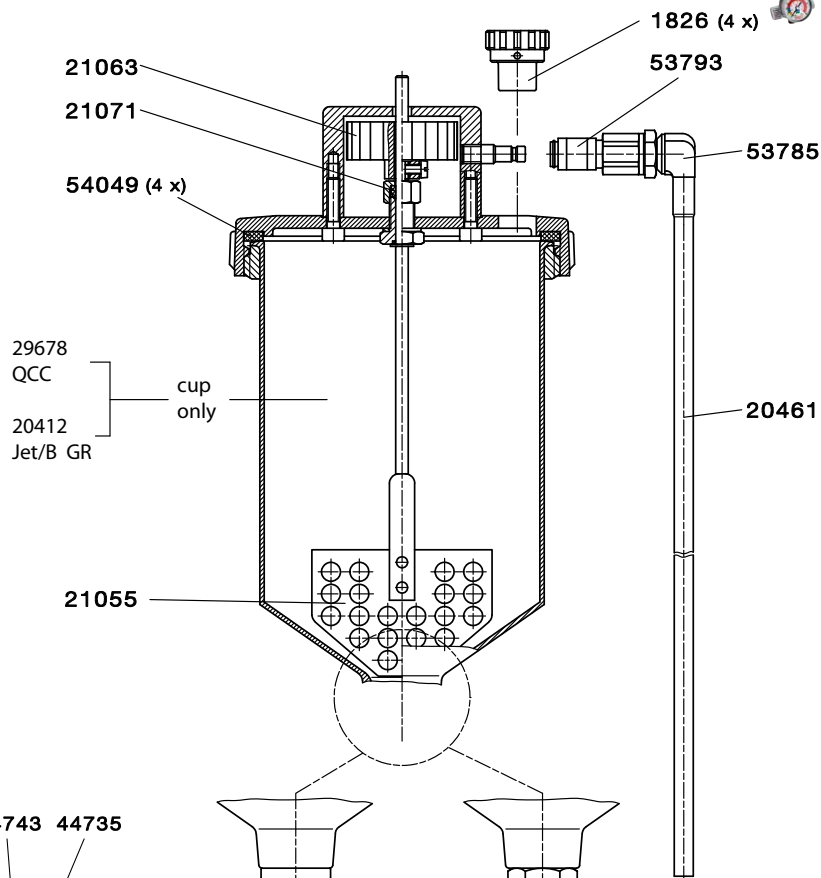
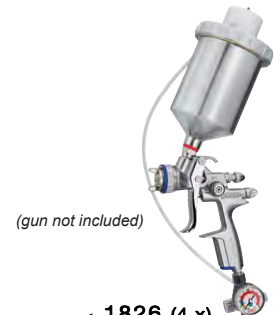
SATA agitator cup, conversion kit for SATAjet 5000 B, 4000 B, jet 3000 B, jet 2000, jet RP, jet 1000 B, LM 2000 B



Spare parts

SATA® Agitator cup

1503	Countersunk screw M4 x 8 DIN 965, stainless steel, for micrometer round/flat spray control
1826	Anti-drip device (4x)
123513	Gauge, 0-145 PSI, SCAQMD face
2188	Air control for agitator regulator
20412	Cup only Jet/B GR
20461	Plastic air hose for BVD and agitator cup
21055	Agitating paddle for agitator cup
21063	Driving wing, cpl. with screw
21071	Gasket agitating vane, agitator cup
29678	Cup only QCC
44735	Countersunk screw, M 2.5 x 5 DIN 965
44743	Control knob
44792	Spindle
51078	Reg. Complete (for agitator cup)
53785	Angle screw socket, LCN-1/8-PL-4, f.
53793	Coupling with inner thread G 1/8 for SATA BVD
54049	Sealing ring (4x)
65557	Control knob



Errors, technical modifications and printing errors reserved.



DAN-AM COMPANY ACCESSORIES FILTER TECHNOLOGY BREATHING PROTECTION CUP SYSTEMS SPRAY GUNS



SATA Loyalty Program

coins & more

With the SATA Loyalty Program, SATA rewards loyal customers of certain products (currently all RPS cup systems) with loyalty coins, which can then be converted into high-quality rewards.

Allowed to participate are buyers of premium products or employees of buying companies based in a country where the program is offered, with the agreement of the company, in accordance with the conditions set out in the conditions of participation. Points are collected by scanning a QR code applied to certain eligible products.

On the outside of each RPS carton there is a booklet in which the coin value can be scanned from the QR code. Download the SATA Loyalty App, fill in the user information, scan and collect the SATA Coins. You can then exchange the coins for attractive rewards.

- 1. Download App & register**
- 2. Scan QR code & collect coins**
- 3. Convert into rewards**

Collect coins with every cup!

Purchasing a SATA RPS box of **40 cups** (SATA RPS 0.3 l, SATA RPS 0.9l) means **40 coins**, purchasing a SATA RPS box of **60 cups** (SATA RPS 0.3 l minijet, SATA RPS 0.6 l) means **60 coins** and purchasing a box of **100 cups** (SATA RPS 0.3 l XL) means **100 coins**.

Further information: www.sata.com/loyalty




Breathing Protection

SPRAY GUNS
CUP SYSTEMS
BREATHING PROTECTION
FILTER TECHNOLOGY
ACCESSORIES
DAN-AM COMPANY



Errors, technical modifications and printing errors reserved.



Respirator type	Fields of application/function	
	<p>SATA air vision 5000 108 - 113</p>	<p>Ergonomically shaped supplied air respirator hood independent from ambient air. Protects the entire head during work. Visor allows one-hand operation, soft-stream flow-optimized air distribution in the hood. Large field of vision, reduced sound level 64 dB.</p> <p>Rigid bump cap for safer work conditions, replaceable visor foils allow unchanging clear view.</p> <p>Please observe the legal requirements of each country.</p> <p>NIOSH approved</p>
	<p>SATA vision 2000 114 – 115, 118</p>	<p>Full face supplied air respirator hood independent from ambient air. Protects the entire head during work. Tip up visor, with replaceable visor foils for clear view.</p> <p>Please observe the legal requirements of each country.</p> <p>NIOSH approved</p>
	<p>SATA air star C 116 – 118</p>	<p>Half mask protects mouth and nose / independent from ambient air (air supplied). Protective goggles are recommended.</p> <p>Please observe the legal requirements of each country.</p> <p>NIOSH approved</p>
	<p>SATA air star F 120</p>	<p>Half mask protects mouth and nose / depending on ambient air (filtering mask). With pre-filter pads to extend the lifetime of the filter cartridges. Protective goggles are recommended. Please observe the legal requirements of each country.</p>

Breathing Protection with Air Regulator

SPRAY GUNS

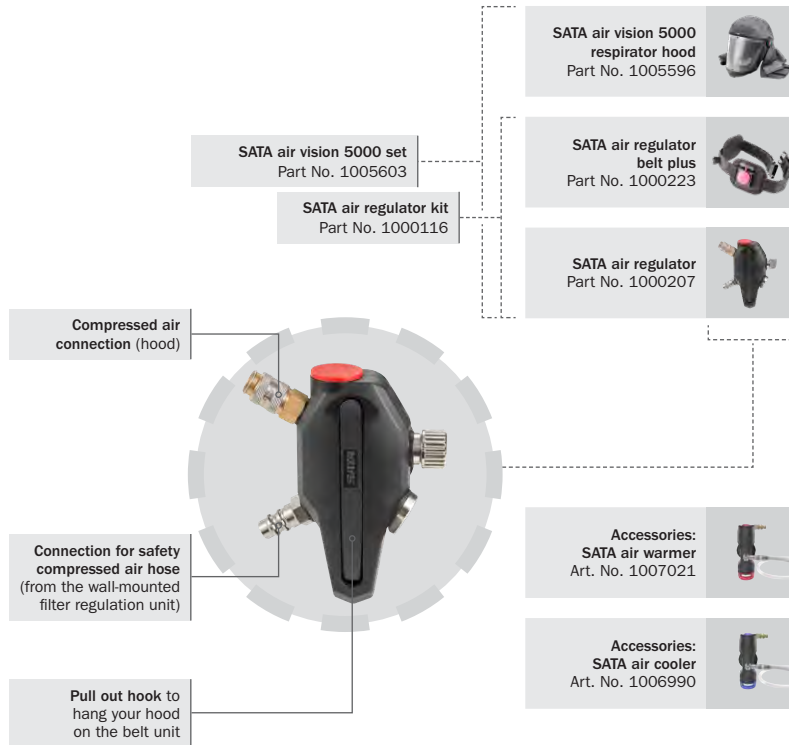
CUP SYSTEMS

BREATHING PROTECTION

FILTER TECHNOLOGY

ACCESSORIES

DAN-AM COMPANY



Recommended accessories

1007021
SATA air warmer



1006990
SATA air cooler



679035
Safety compressed air hose
crush and kink resistant, 35 ft
NIOSH approved



Compressed air-supplied respirator hood to combine with triple-stage compressed air filters, e.g. SATA filter 584 with integrated activated charcoal filter stage.

The NIOSH approval number is TC-19C-0533




Errors, technical modifications and printing errors reserved.

Breathing Protection with Activated Charcoal Belt Unit



Recommended accessories

1000158 SATA air warmer carbon for SATA air carbon regulator Multi-stage adjustable breathing air warmer	
1006990 SATA air cooler	
679035 Safety compressed air hose crush and kink resistant, 35 ft	
1115189 Activated charcoal filter with two caps for SATA air carbon regulator	



Compressed air-supplied respirator hood to combine with double-stage compressed air filters fixed to the wall, e.g. SATA filter 544 **without** integrated activated charcoal filter stage.

Errors, technical modifications and printing errors reserved.

The NIOSH approval number is TC-19C-0533



SATA® air vision™ 5000

Technical data:

Required operating pressure:	25 - 125 psi
Required minimum air volume flow:	6 CFM
Maximum air volume flow:	15 CFM



Available versions

214718

SATA air vision 5000 carbon set. Version **with** activated carbon adsorber

Compressed air-fed breathing protection equipment for use in combination with wall-mounted two-stage filter regulator units, e.g. SATA filter 544, 444 or 244.



1005603

SATA air vision 5000 set with air regulator.

Version without activated carbon adsorber

Compressed air-fed breathing protection equipment for use in combination with wall-mounted three-stage filter regulator units, e.g. SATA filter 584, 484 or 284.



1005596

SATA air vision 5000 respirator hood only with pressure gauge



1000075

SATA air carbon regulator set for SATA air vision 5000, with charcoal



1000116

SATA air regulator set for SATA air vision 5000, without charcoal



1000182

SATA air carbon regulator only for SATA air vision 5000, with charcoal



1000190

SATA air regulator only for SATA air vision 5000



1030668

SATA air regulator belt plus only for SATA air vision 5000, accessory more rigid, prevents twisting, added length



1000223

SATA air regulator belt only for SATA air vision 5000



1000158

SATA air warmer carbon for SATA air carbon regulator



218131 Black threaded ring only



Available versions

1007021
SATA air warmer, incl. adapter plate and hip pad for SATA air vision 5000



1006990
SATA air cooler incl. adapter plate and hip pad for SATA air vision 5000



Accessories

1073197
Comfort pad, fits over air vision 5000 adjustment knob, Velcro closure, pair



1115189
SATA Activated charcoal filter with two caps for SATA air carbon regulator



SATA air vision 5000 silicone free breathing air hose



SATA Black Breathing Hose

Length	Part Number
10 ft	679010
15 ft	679015
20 ft	679020
25 ft	679025
35 ft	679035
50 ft	679050
75 ft	679075
100 ft	679100

Technical Data

Information	SATA Black Breathing Hose	
Inner Diameter:	3/8"	
Wall Thickness:	.177"	
Working Pressure:	145 psi	
Temperature:	-22°F to 212°F	
Minimum Bending Radius:	2"	
Weight:	.19 lbs/ft	
Construction	Tube:	EPDM - Black
	Reinforcement:	Synthetic Cord
	Cover:	EPDM - Black
Conformity Standards:	ATEX Classification: II 2 G T4	
	DIN EN 14594 class 3B	
	NIOSH Approved	

Errors, technical modifications and printing errors reserved.

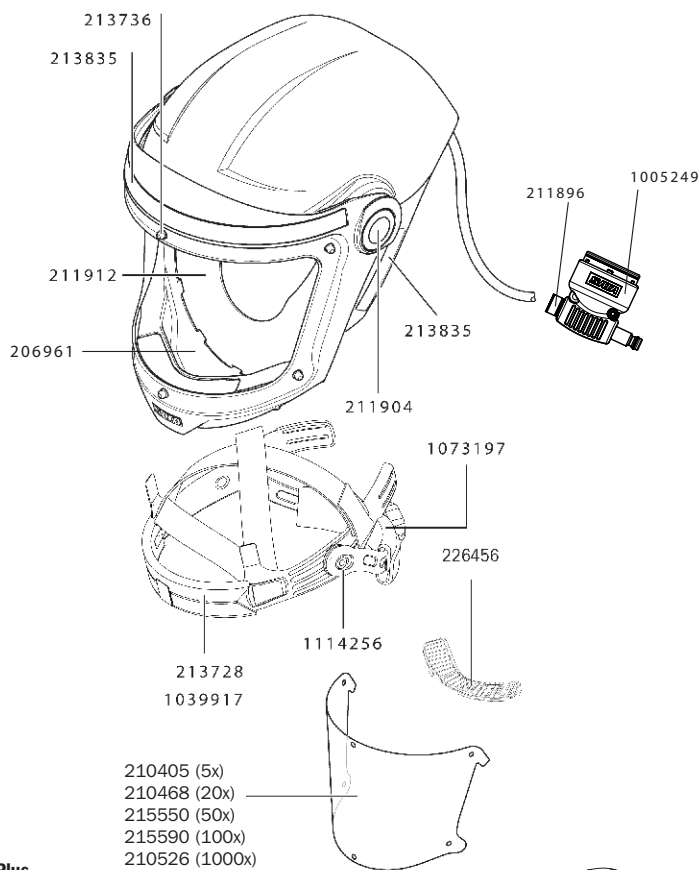
▶ See more breathing air hoses on pages 159

Spare parts

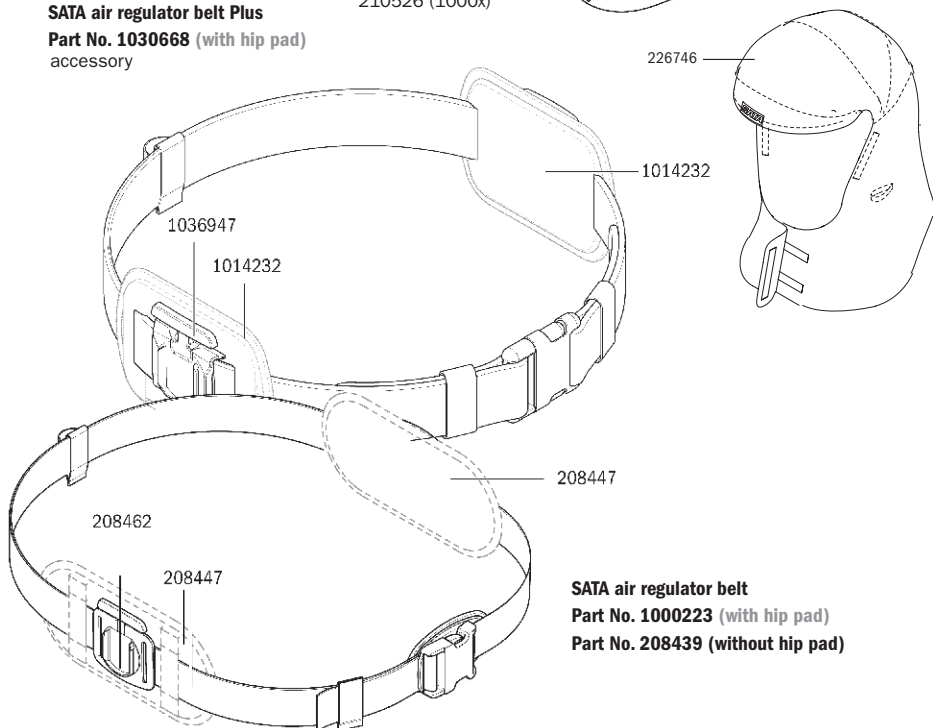
SATA® air vision™ 5000

53942
Nipple G 1/4 f. GS respirator, UBE + blow-off gun, size 14
81158
Humidifier module cartridge only
206961
Inner Shell
208280
Head fixation, original version, while supplies last
208439
Belt with buckle
208447
Hip pad (packing unit 1 piece)
208462
Adapter plate
210405
Visor foil, 6 perforations (packing unit 5 pieces)
210468
Visor foil, 6 perforations (packing unit 20 pieces)
210526
Visor foil, 6 perforations (packing unit 1000 pieces)
211896
Hose clamp
211904
CCS disc (packing unit 4 pieces)
211912
Hygiene insert (packing unit 20 pieces)
213728
Comfort band, Velcro attach (packing unit 10 pieces)
213736
Visor bolt (packing unit 6 pieces)
213835
Hook-and-loop tape long (1pc)short (pc), adh on one side
213751
Hood holder for SATA air regulator
215550
Visor foil, 6 perforations (packing unit 50 pieces)
215590
Visor foil, 6 perforations (packing unit 100 pieces)
216473
Safety quick coupling for SATA air regulator and SATA air carbon regulator, air warmer, cooler, humidifier
218123
Air carbon regulator cap
226456
Plug-in diffuser
226621
Humidifier kit consisting of humidifier module, lid seal and SATA filter timer
226746
Hood cloth, dark grey
1000223
SATA air regulator belt (NIOSH)
1005249
Pressure gauge
1014240
Air hose cpl.
1014232
Hip pad (1 piece) larger pad for comfort
1030668
SATA air regulator belt plus, accessory, added length, thicker, larger pads (NIOSH)
1036947
Adapter plate for Plus size belt
1039917
Comfort head band, Velcro (packing unit 100 pieces)
1066415
Control knob, cpl.
1076521
Machine screws for air humidifier
1076589
Air tube for SATA air humidifier
1076612
Container for SATA air humidifier
1076620
Lid for SATA air humidifier
1076638
Safety band for bayonet coupling, SATA air humidifier
1076662
Pressure relief valve, cpl for SATA air humidifier
1076688
Angled screw coupling, swiveling for SATA air humidifier
1076703
Safety quick coupling
1114256
Head fixation 2.0, accessory, more flexible for added comfort
1115189
Carbon filter with 2 end caps
1128918
O-ring only, 2 pack

SATA air vision 5000
Part No. 1005596



SATA air regulator belt Plus
Part No. 1030668 (with hip pad)
accessory



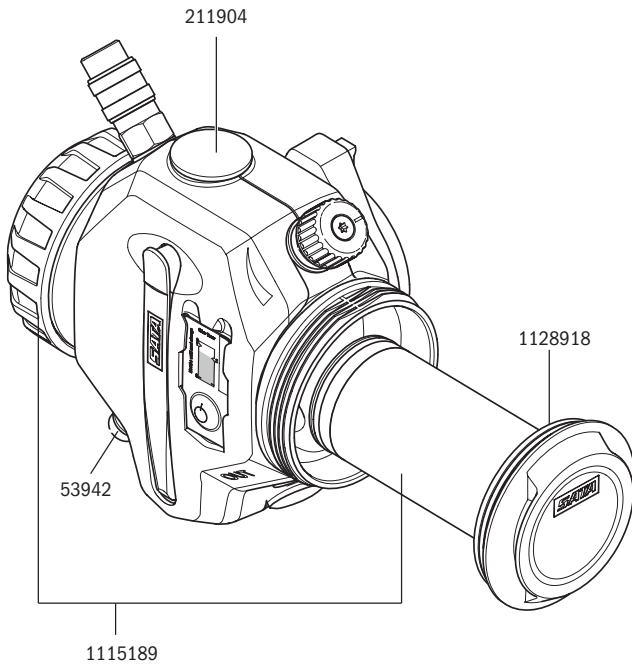
SATA air regulator belt
Part No. 1000223 (with hip pad)
Part No. 208439 (without hip pad)

Errors, technical modifications and printing errors reserved.



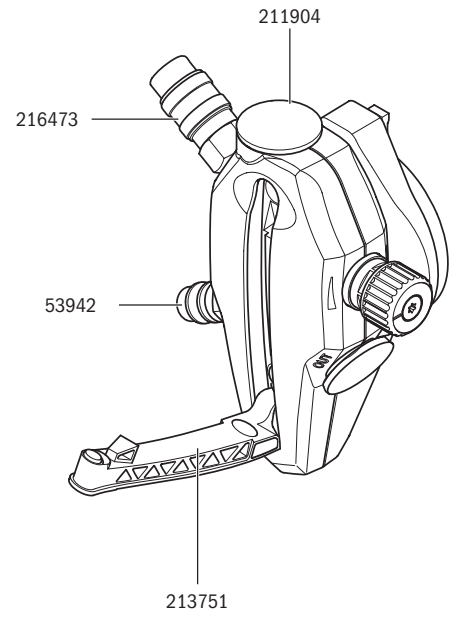
Spare parts for:

SATA air carbon regulator Part No. 1000182



Spare parts for:

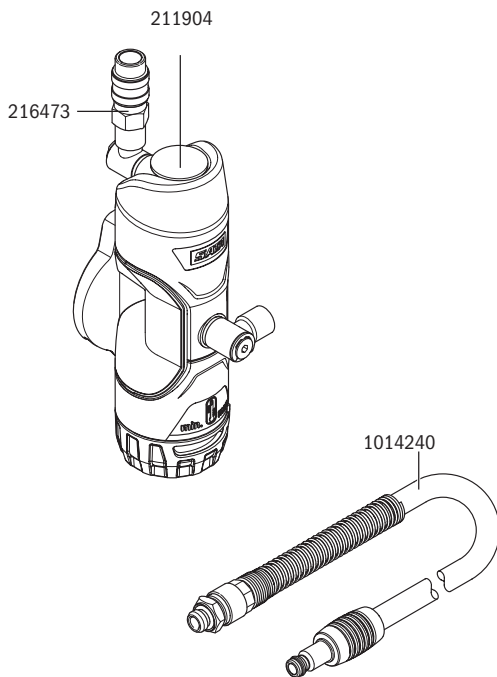
SATA air regulator Part No. 1000207



Spare parts for:

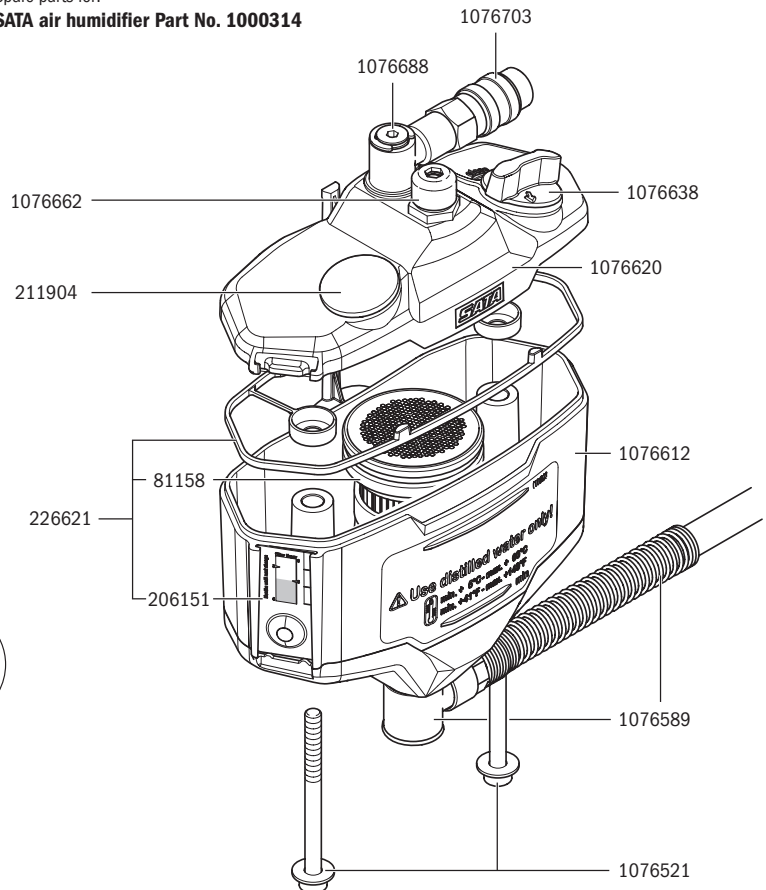
SATA air warmer Part No. 1007021

SATA air cooler Part No. 1006990



Spare parts for:

SATA air humidifier Part No. 1000314



Errors, technical modifications and printing errors reserved.

SATA® vision™ 2000

Technical data:

Required operating pressure: 60 - 90 psi

Required air consumption: 6.3 - 11.3 CFM



SATA vision 2000 with activated charcoal belt unit

36384 The vision 2000 hood with SATA activated charcoal filter

Vision 2000 hood is a type C continuous flow supplied air respirator with full face shield. It is very comfortable to wear with an adjustable headband. Painters with reasonable beard length, mustaches or eyeglasses will appreciate the full hood protection with wide field of vision and single pane, non-glare anti-static visor. The hood is hygienic due to easily replaced linings and sweatband. It also features a tip-up visor making it unnecessary for the painter to remove the hood between coatings.



37200 SATA activated charcoal absorber belt unit is an auxiliary filter. Breathing air is filtered through activated charcoal. The activated charcoal purifies the air and removes any odor or hydrocarbon vapor. Airflow is regulated with a throttle valve. An airflow gauge is mounted on the belt unit to visually monitor correct airflow setting.



51854 SATA vision 2000 full hood respirator and full neck shield.

SATA vision 2000 Industrial belt valve (without activated charcoal belt unit)

60707 The SATA vision 2000 hood and SATA industrial belt valve.

The SATA vision 2000 is a type C continuous flow supplied air respirator with full face shield. It is very comfortable to wear with an adjustable headband. Painters with reasonable beard length, mustaches or eyeglasses will appreciate the full hood protection with wide field of vision and single pane, non-glare anti-static visor. The hood is hygienic due to easily replaced linings and sweatband. It also features a tip-up visor making it unnecessary for the painter to remove the hood between coatings.



61002 SATA industrial belt valve for full hood
The SATA industrial belt valve is to be used in conjunction with a triple stage filter with an activated charcoal filter, eg: SATA 584 or 484 Triple stage filter

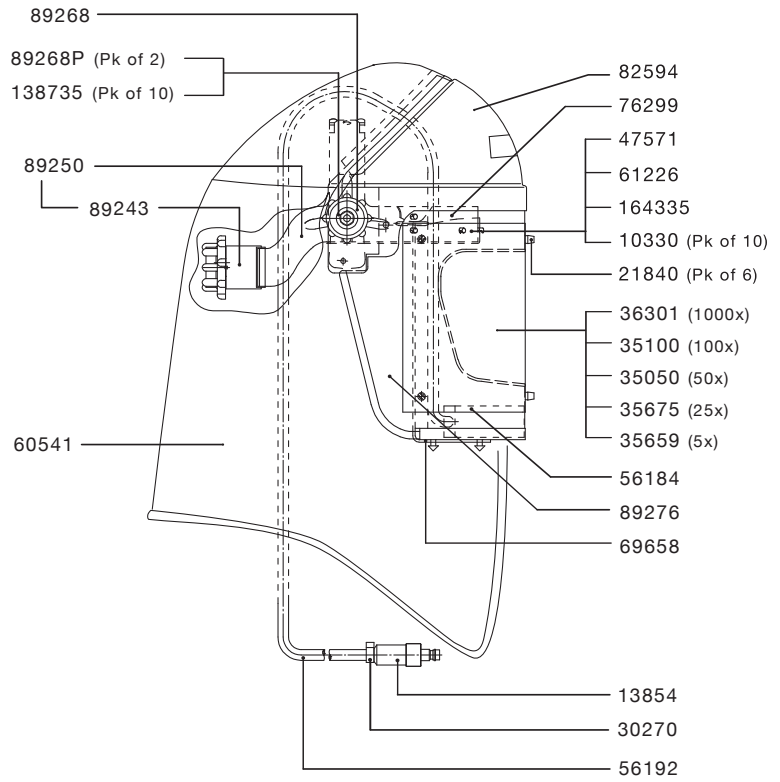
51854 SATA vision 2000 full hood respirator and full neck shield.

▶ For approved breathing air hoses see page 159.

Spare parts

SATA® vision 2000 hood

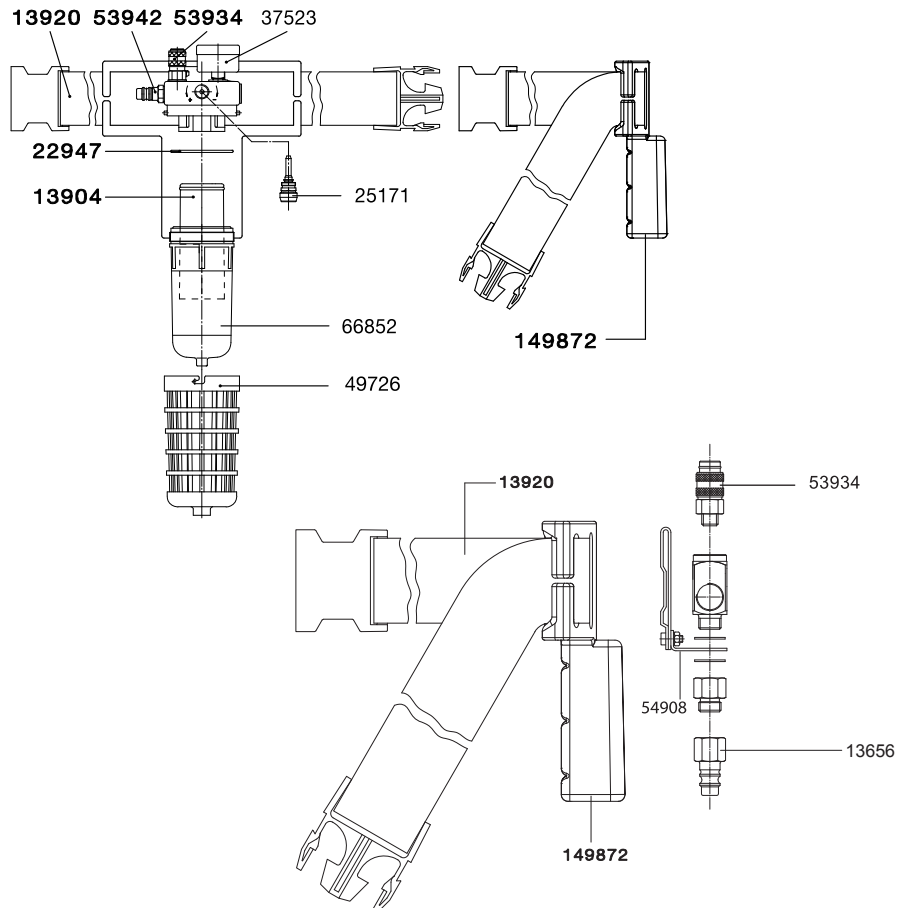
10330	Sweat band, artificial leather, pk of 10
13854	Air silencer
21840	Visor pins, pk of 6
27821	Headband adjusting nut
30270	Hose clamp
35050	Visor tear off sheet, pk of 50
35100	Visor tear off sheet, pk of 100
35659	Visor tear off sheet, pk of 5
35675	Visor tear off sheet, pk of 25
36301	Visor tear off sheet, pk of 1000
47571	Sweat band, artificial leather, ea
51854	vision 2000 hood, complete
56184	Foam sleeve, only
56192	breathing tube with foam sleeve
60541	Hood/chest cloth, gray, anti-static
61226	Headband, natural sheep leather, ea.
69658	Hood lining, pk of 20
75358	SATA hood cleaner, pk of 10
76299	Headband foam strip, w/adhesive
78378	clamp, breathing tube, bolt/nut
82594	Head piece with Velcro
89243	Adjusting assembly, headband
89250	Headband, complete
89268	Nut assembly, headband
89268P	Pivot, headband adjusting, pk of 2
89276	Visor frame, complete
138735	Pivot, headband adjusting, pk of 10
164335	Sweat band, natural calf leather



Spare parts SATA® vision 2000

Charcoal Belt Unit

13904	Charcoal filter cartridge
13920	Waist belt only, no cushion
15412	Belt unit support straps
22947	O ring, housing
25171	Regulating valve, vision 2000
37200	Belt unit, complete vision 2000
37523	Gauge, vision 2000
49726	Protective filter cover
51110	T-Connection Kit, charcoal belt unit
51656	T-Connection only, charcoal belt unit
53934	Quick coupling
53942	Nipple
66852	Filter cover
149872	Belt cushion only



Spare parts SATA® vision 2000

Industrial Belt Unit

13656	Female threaded nipple
13920	Waist belt
53934	Coupler, 1/4 male
54908	L Bracket
61002	Belt valve complete, vision 2000
149872	Belt cushion only, foam
671070	T fitting, (supplied separately)

Errors, technical modifications and printing errors reserved.

SATA® air star C™

Technical data:

Operating pressure:	60 - 90 psi
Charcoal belt unit required air consumption:	5.6 - 13.4 CFM
Industrial belt valve unit required air consumption:	4.4 - 12.7 CFM



SATA air star C with Activated Charcoal belt unit

137547 The SATA air star C and activated charcoal filter unit.

The SATA air star C is a NIOSH approved ventilated half-mask with adjustable continuous fresh-air supply.

The activated charcoal belt unit is an auxiliary filter. Breathing air is filtered through activated charcoal. The activated charcoal purifies the air and removes any odor or hydrocarbon vapor. Airflow is regulated with a throttle valve. A pressure gauge is mounted on the belt unit to visually monitor correct airflow setting. The charcoal belt unit is to be used in conjunction with a double stage filter; eg: SATA filter 544 or 444



137653 SATA air star C respirator w/ breathing tube



37192 Activated charcoal belt unit for air star C. SATA activated charcoal absorber belt unit is an auxiliary filter. Breathing air is filtered through activated charcoal. The activated charcoal purifies the air and removes any odor or hydrocarbon vapor. Airflow is regulated with a throttle valve. An airflow gauge is mounted on the belt unit to visually monitor correct airflow setting.



SATA air star C with Industrial belt valve

137745 The SATA air star C with belt valve

The SATA air star C is a NIOSH approved ventilated half-mask with adjustable continuous fresh-air supply.

The SATA industrial belt valve is to be used in conjunction with a triple stage filter with an activated charcoal filter, eg: SATA 584 or 484 Triple stage filter. Airflow is regulated with a throttle valve.



137653 SATA air star C respirator with breathing tube

138362 SATA industrial belt valve for half mask

The SATA industrial belt valve is to be used in conjunction with a triple stage filter with an activated charcoal filter, eg: SATA 584 or 484 Triple stage filter

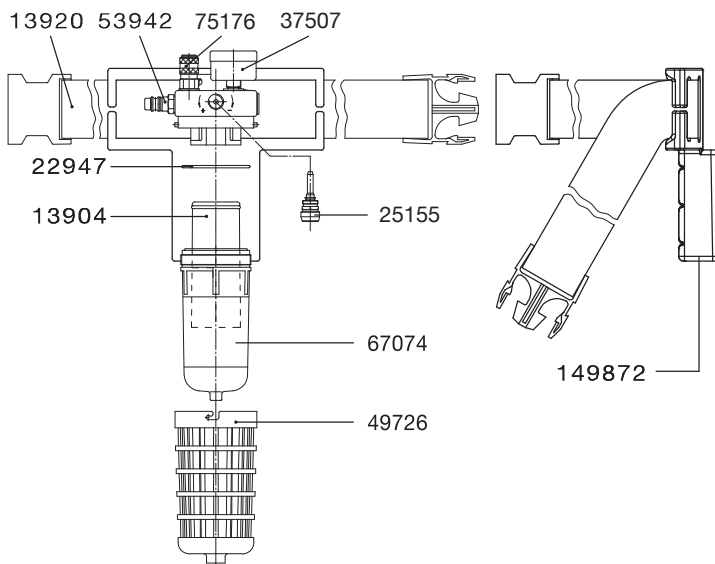
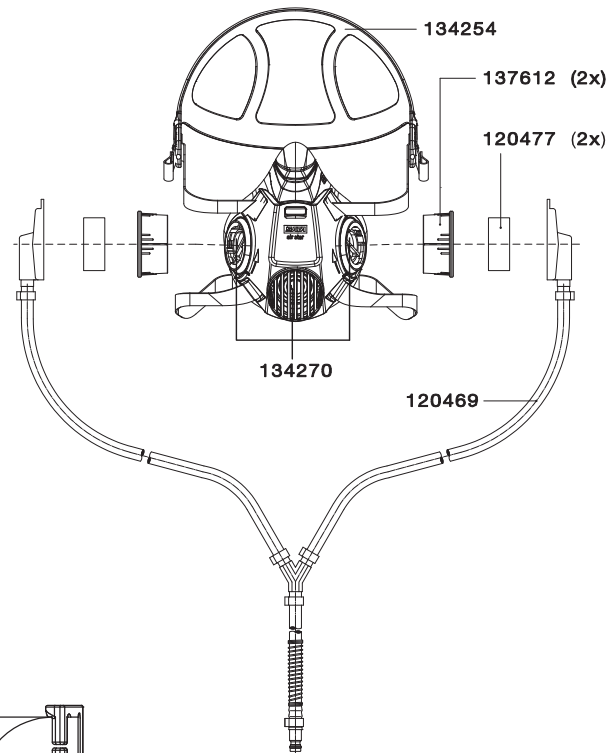


- ▶ Accessories for SATA vision 2000, SATA air star C and SATA air star F see page 118.
- ▶ For breathing air hoses see page 159

Spare parts

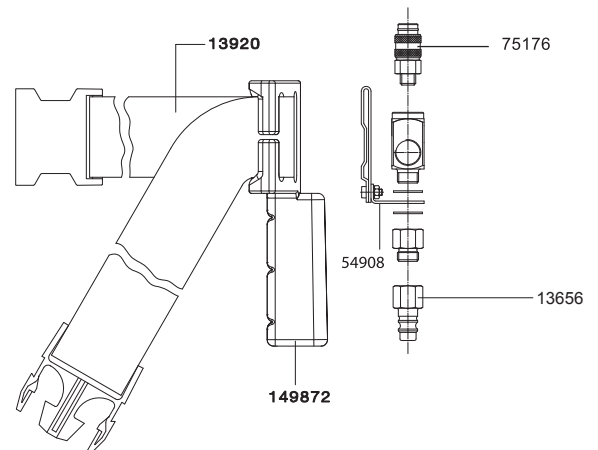
SATA® air star C™

120469	Breathing tube assembly, complete
120477	Air distribution foam, Pack of 2
134254	Head straps
134270	5-pk exhalation diaphragms + 10-pk inhalation diaphragms
137612	2-pk connections



**Spare parts SATA® air star C™
Charcoal Belt Unit**

13904	Charcoal filter cartridge
13920	Waist belt
15412	Belt unit support straps
22947	O ring, housing
25155	Regulating valve
37192	Belt unit, complete half mask
37507	Gauge, air pressure, HM belt unit
49726	Cover, protective filter
51110	T-Connection Kit, charcoal belt unit
51656	T-Connection only, charcoal belt unit
53942	Nipple, 1/4 male hi-flow
55640	52" Paint whip hose
67074	Filter cover
75176	Quick coupling, half mask
149872	Belt cushion only



**Spare parts SATA® air star C™
Industrial Belt Valve Unit**

13656	Female threaded nipple
13920	Waist belt
53934	Nipple, 1/4 male
54908	L Bracket
66852	Filter cover
138362	Belt valve complete, half mask
149872	Belt cushion only, foam
671070	T fitting, (supplied separately)

Errors, technical modifications and printing errors reserved.

Accessories for SATA vision 2000/SATA air star C

Accessories

13904
Activated charcoal cartridge for SATA activated charcoal adsorber



15412
Suspender belt for SATA belt units SATA air star C and SATA air vision 5000, vision 2000



69658
Hygienic hood lining, vision 2000, 20 pk



35659 Tear off visor sheets, vision 2000, 5 pk

35675 Tear off visor sheets, vision 2000, 25 pk

35050 Tear off visor sheets, vision 2000, 50 pk

35100 Tear off visor sheets, vision 2000, 100 pk

36301 Tear off visor sheets, vision 2000, 1000 pk



10330 Head band lining, artificial leather, vision 2000, 10 pk

47571 Head band lining, artificial leather, vision 2000, each

61226 Head band lining, natural leather (sheep) vision 2000, each

164335 Head band lining, natural leather (calf) vision 2000, each



Breathing air warmer

61242
Air warmer w. micrometer for SATA respirators



81158
Complete cartridge module for SATA top air humidifier



Cleaning cloths

75358
SATA wet & dry cleaner (packing unit 10 pieces) Please observe: The supplied product has a limited use-by date!

83881
SATA wet & dry cleaner (packing unit 50 pieces) Please observe: The supplied product has a limited use-by date!



Head covers for SATA vision 2000

60541
Head / chest scarf, gray, over hood for SATA vision 2000



56762
Grey head cloth w/chest cover for respirators



- ▶ See CO Monitor options on page 156|157
- ▶ For breathing air hoses see page 159

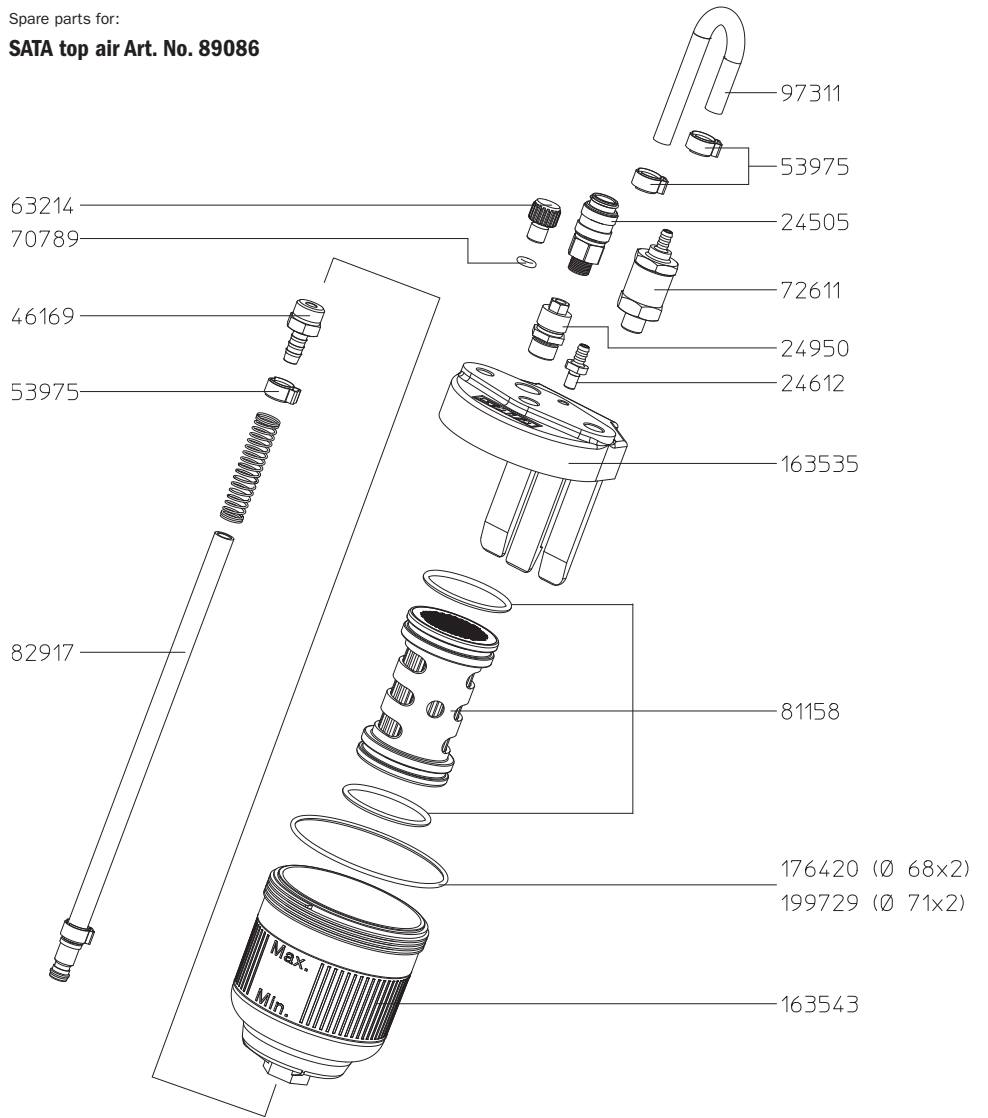


Errors, technical modifications and printing errors reserved.

Spare parts
SATA® top air

24505	Safety quick closure coupling, free passage, for SATA top-air
24612	Nipple
24919	O-ring
24950	Safety valve, complete, for SATA top-air
46169	Plug-in nipple for SATA top-air
53975	Hose clamp 10.5 GER
63214	Closing screw for SATA top-air
70789	O-ring 5 x 2 mm, ethylene-propylene, for control piston SATA LP90
72611	Valve, complete, for SATA top-air
81158	Humidifier module cpl.
82917	Breathing air hose, cpl.
97311	PVC hose 4 x 2 mm x 110 mm
163535	Holder
163543	Container with acme thread
176420	O-ring 68 x 2.0 NBR for SATA top air (until July 2013)
199729	O-Ring for SATA top air (as of July 2013)

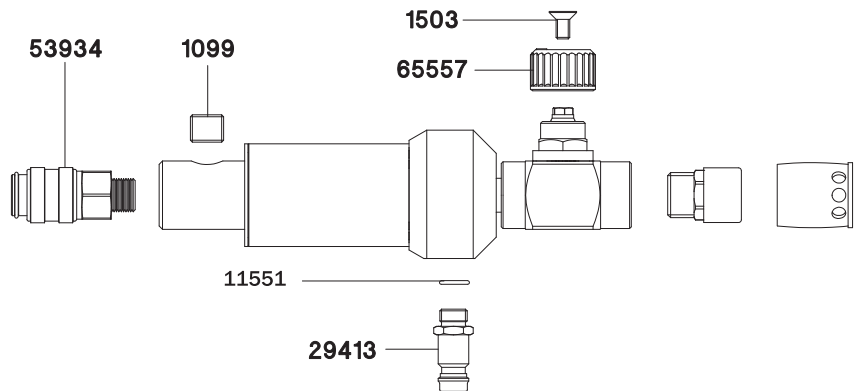
Spare parts for:
SATA top air Art. No. 89086



Spare parts
SATA® air warmer

1099	Closing screw DIN 906 G 1/8-ST., nickel-plated
1503	Countersunk screw M4 x 8 DIN 965, stainless steel, for micrometer and round/flat spray control
11551	O Ring
29413	Nipple
53934	Safety quick coupling for SATA full face respirator
65557	Control knob

Spare parts for:
SATA air warmer Art. No. 61242



SATA® air star® F™

Filtering mask for short usage periods during small paint jobs. With replaceable respirator cartridges.



Available versions

134353
SATA air star F, filter A2:P3 R D, 2 pre-filter holders and 10 pre-filters



134288
SATA air star F, filter A2:P3 D, 2 pre-filter holders and 10 pre-filters, with hygiene box



91553
Storage box only for SATA air star F

Accessories

75358
SATA wet & dry cleaner (packing unit 10 pieces) Please observe: The supplied product has a limited use-by date!



83881
SATA wet & dry cleaner (packing unit 50 pieces) Please observe: The supplied product has a limited use-by date!

Spare parts

SATA® air star® F

134239
Pre-filter (packing unit 50 pieces) Please observe: The supplied product has a limited use-by date!

134247
Pre-filter holder, red (packing unit 2 pieces) and pre-filter (packing unit 10 pieces) Please observe: The supplied product has a limited use-by date!

134254
Head strap with fixing unit and yoke for SATA air star C

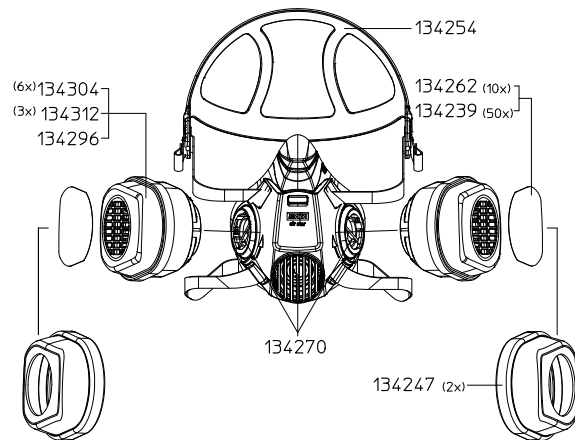
134262
Pre-filter (packing unit 10 pieces) Please observe: The supplied product has a limited use-by date!

134270
Inhalation and exhalation diaphragms (packing unit 5 pieces or 10 pieces, resp.) Please observe: The supplied product has a limited use-by date!

134296
Special filter A2:P3 R D (1 pair) Please observe: The supplied product has a limited use-by date!

134312
Special filter A2:P3 D (3 pairs) Please observe: The supplied product has a limited use-by date!

134304
Special filter A2:P3 R D (6 pairs) Please observe: The supplied product has a limited use-by date!



Errors, technical modifications and printing errors reserved.



Filter Technology



First filter stage:	Second filter stage:	Third filter stage:
<ul style="list-style-type: none"> Sintered filter to separate particles > 5 µm Cleaning and exchange interval: 6 months 	<ul style="list-style-type: none"> Fine filter cartridge to separate particles > 0.01 µm Separation efficiency: 99.998 % Exchange interval: 6 months 	<ul style="list-style-type: none"> Sintered activated charcoal cartridge with higher separation efficiency of oil vapors Suitable for the use of compressed air-supplied breathing masks Exchange interval: 6 months

Filter type

Fields of application/function


SATA filter
524 / 544 / 564 /
584

123 – 125

- Ambient temperature: **up to max. 248 °F, up to max. 140 °F when using activated charcoal (third stage)**
- modular structure of up to 3 filter stages incl. activated charcoal filter
- meeting highest requirements for high-grade compressed air (100 % technically clean air)
- Air flow: **approx. 135 CFM** at 87 psi


SATA filter
414 / 424 / 434 /
444 / 464 / 484

126 – 129

- Ambient temperature: **up to max. 248 °F, up to max. 140 °F when using activated charcoal (third stage)**
- modular structure of up to 3 filter stages incl. activated charcoal filter
- meeting highest requirements for high-grade compressed air (100 % technically clean air)
- Air flow: **approx. 129 CFM** at 90 psi


SATA filter
222 / 242 / 244 /
282 / 284

130 – 131

- Ambient temperature: **up to max. 248 °F, up to max. 140 °F when using activated charcoal (third stage)**
- modular structure of up to 3 filter stages incl. activated charcoal filter
- the most versatile modular filter system currently on the market but at an unbeatable price.
- Air flow: **approx. 72 CFM** at 90 psi



SATA® filter

524™/544™/564™/584™

Technical data:

Air inlet:	G 1/2" female thread
Air outlet:	1/4" male thread
Max. inlet operating pressure:	217 psi
Max. outlet operating pressure:	217 psi
Air flow at 87 psi:	approx. 135 CFM
Max. ambient temperature:	248 °F
Max. ambient temperature with activated charcoal:	140 °F



Combination filter

1101667

SATA pressure reducer 520 with gauge 0-145 psi, air outlet G 1/2" (female thread) wall holder included



1101659

SATA filter 524 single-stage sinter filter, pressure regulator, outlet module (2 x 1/4" male thread)



1101641

SATA filter 524 L single-stage sinter filter, pressure regulator, for pipeline installation (G 1/2" female thread)



1101005

SATA filter 564 add-on kit activated charcoal filter to retrofit SATA filter 544 to SATA filter 584



1100990

SATA filter 544 double-stage sinter filter/fine filter with pressure regulator and outlet module (2 x 1/4" male thread)



1124932

SATA filter 544 L pipeline installation (double-stage in line-filter) without pressure reducer



1099953

SATA filter 584 triple-stage sinter filter/fine filter/activated charcoal with pressure regulator and outlet module (2 x 1/4" male thread)



1101716

SATA filter 584 L pipeline installation (triple-stage in line-filter) without pressure reducer



1101625

SATA filter 584 with carrying support triple-stage sinter filter/fine filter/activated charcoal, pressure regulator, outlet module (2 x 1/4" male thread)



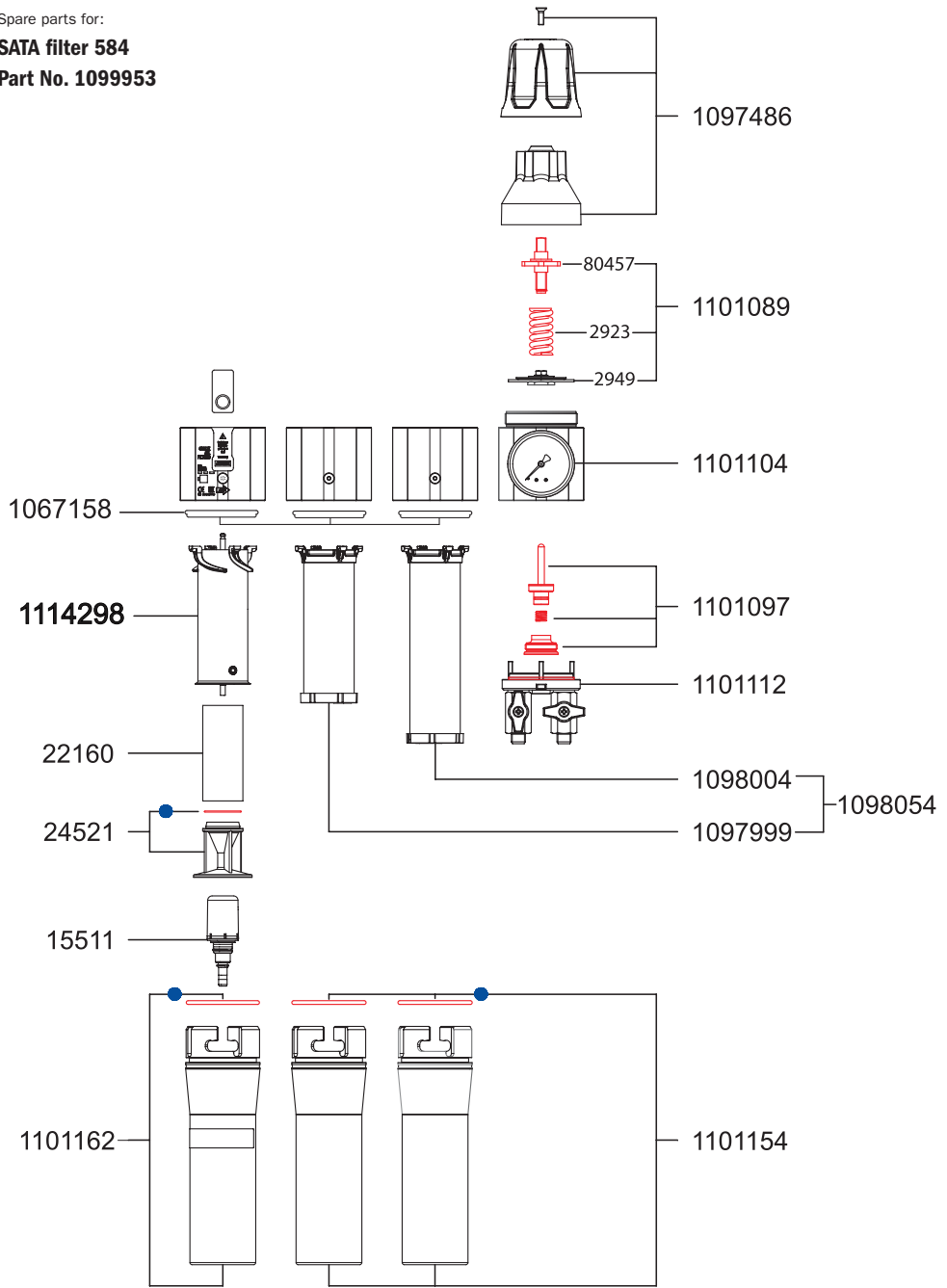
28076 Stand only

Errors, technical modifications and printing errors reserved.

Spare parts
SATA® filter 544™/ 584™

15511	Automatic condensate drain valve
22160	Sintered filter
24521	Condensate retainer with O-ring
1067158	Sealing ring, 1 piece
1097486	Pressure reducer with pressure adjustment screw and countersunk screw
1097999	Fine filter cartridge
1098004	Activated charcoal cartridge
1098054	Service kit for SATA filter series 500: with fine filter and activated charcoal cartridge
1101089	Diaphragm incl. pressure spring and spindle
1101097	Pressure steering unit
1101104	Pressure gauge 0-145 psi
1101112	Cover unit with ball valves 2 pcs.
1101154	Filter housing
1101162	Filter sleeve with automatic discharge valve
1114298	Cyclone separator

Spare parts for:
SATA filter 584
Part No. 1099953



Repair kit

1102087
Service unit

1101518
Sealing kit

Errors, technical modifications and printing errors reserved.



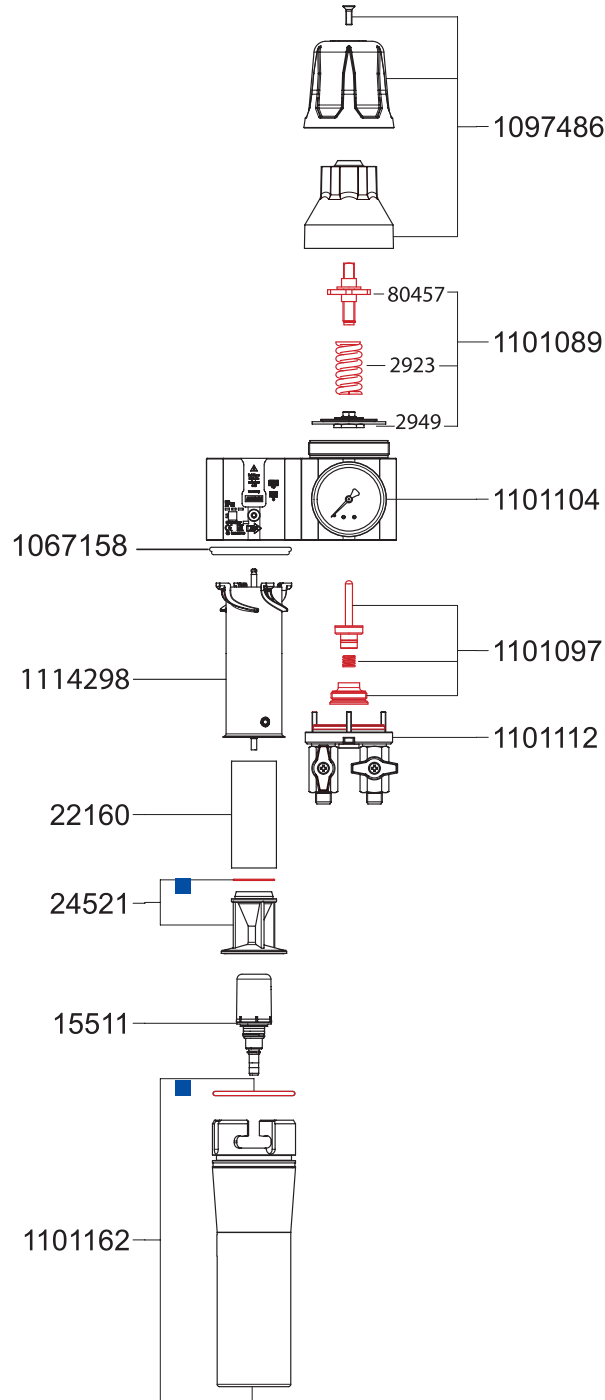
Spare parts
SATA® filter 524™

15511	Automatic condensate drain valve
22160	Sintered filter
24521	Condensate retainer with O-ring
1067158	Sealing ring, 1 piece
1097486	Pressure reducer with pressure adjustment screw and countersunk screw
1101089	Diaphragm incl. pressure spring and spindle
1101097	Pressure steering unit
1101104	Pressure gauge 0-145 psi
1101112	Cover unit with ball valves 2 pieces
1101162	Filter sleeve with automatic discharge valve
1114298	Cyclone separator

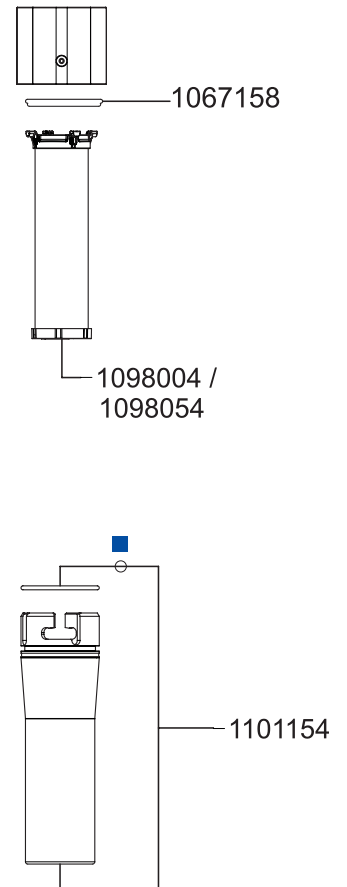
Spare parts
SATA® filter 564™

1067158	Sealing ring, 1 piece
1098004	Activated charcoal cartridge
1098054	Service kit for SATA filter series 500: with fine filter and activated charcoal cartridge
1101154	Filter housing

Spare parts for:
SATA filter 524
Part No. 1101659



Spare parts for:
SATA filter 564
Part No. 1101005



Errors, technical modifications and printing errors reserved.

Repair kit

1102087
Service unit

1101518
Sealing kit

SATA® filter






414™/424™/434™/464™

Technical data:



Air inlet:	G 1/2" female thread
Air outlet:	1/4" male thread
Max. inlet operating pressure:	217 psi
Max. outlet operating pressure:	145 psi
Air flow at 87 psi:	127 CFM
Max. ambient temperature:	248 °F
Max. ambient temperature with activated charcoal:	140 °F






Pressure Regulator/water separator

92288	SATA 420 Line Pressure Regulator High air volume of 141 cfm, up to 225 psi inlet, G 1/2 internal inlet & outlet thread	
92213	SATA filter 414 5 micron oil / water separator with automatic condensation discharge, with ball valve air connection module but without regulator. 1/2 inch internal inlet thread and two 1/4 inch external outlet thread. (2 x G 1/4 male thread)	
92254	SATA filter 414L (in-line) 5 micron oil / water separator with automatic condensation discharge, in-line installation. 1/2 inch internal inlet/outlet thread. (G 1/2 female thread)	
92221	SATA filter 424 5 micron oil / water separator unit with automatic condensation discharge, pressure regulator and ball valve air connection module. 1/2 inch internal inlet thread and two 1/4 inch external outlet thread. (2 x G 1/4 male thread)	
92262	SATA filter 424 L (in-line) 5 micron oil/water separator unit with automatic condensation discharge and pressure regulator. 1/2 inch internal inlet/outlet thread.	

Fine filter

92239	SATA filter 434 0.01 micron filter unit with ball valve air connection module. Provides 99.998% clean air. Compressed air must be pre-filtered when using this unit. 1/2 inch internal inlet thread and two 1/4 inch external outlet thread. (2 x G 1/4 male thread)	
92270	SATA filter 434L (in-line) 0.01 micron filter unit. Provides 99.998% clean air. Compressed air must be pre-filtered when using this unit. 1/2 inch internal inlet/outlet thread.	

Activated charcoal filter

92247	SATA filter 464 Single-stage activated charcoal filter, with outlet module (2 x G 1/4 male thread)	
141473	SATA filter 464A Add-on unit with fittings without module. To retrofit SATA filter 444 to 484	
92247L	SATA filter 464L (in-line) Line filter unit without fitting and module.	

No Longer in Production



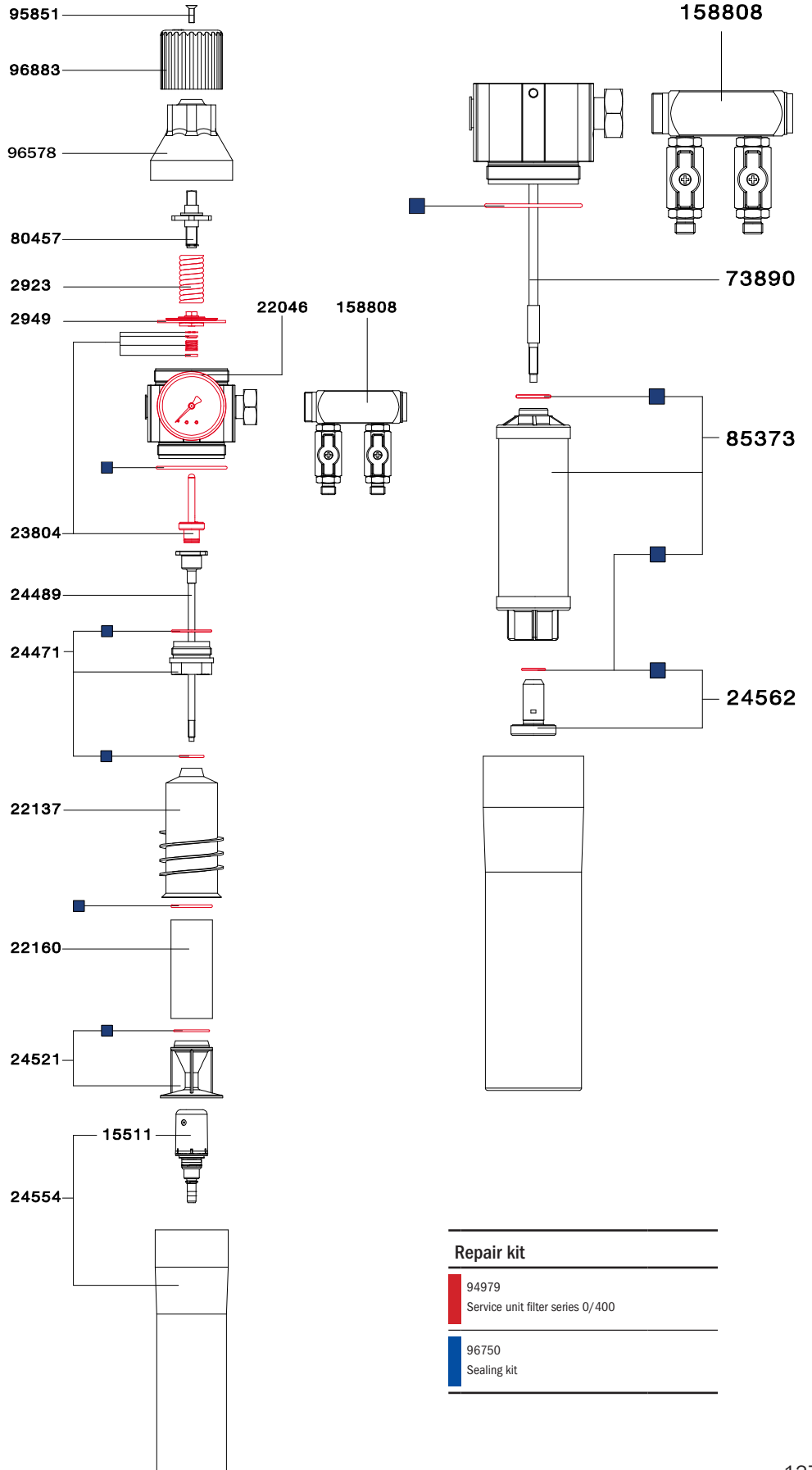
Errors, technical modifications and printing errors reserved.

Spare parts

SATA® filter

414/424/434/464

2923	Pressure spring
2949	Diaphragm
15511	Automatic condensate drain valve
22046	Pressure gauge 0 - 145 psi 50 mm
22137	Cyclone separator
22160	Sintered filter
23804	Pressure valve
24471	Plastic nut with 2 O-rings for SATA filter series 400
24489	Threaded rod with pressure valve head
24521	Condensate retainer with O-ring
24554	Filter sleeve with automatic discharge valve
80457	Spindle for SATA filter series 400
96578	Fixing nut
95851	Countersunk screw M 5 x 16
96883	Pressure adjustment screw
158808	Manifold 2x 1/4" (male thread)
24562	Adapter, cpl. with O-ring
73890	Threaded rod
85373	Activated charcoal cartridge
158808	Manifold 2x 1/4" (male thread)



Errors, technical modifications and printing errors reserved.

Repair kit

94979
Service unit filter series 0/400

96750
Sealing kit

SATA® filter 444™/484™

Technical data:

Air inlet: G 1/2" female thread

Air outlet: 1/4" male thread

Max. inlet operating pressure: 217 psi

Max. outlet operating pressure: 145 psi

Air flow at 87 psi: 127 CFM

Max. ambient temperature: 248 °F

Max. ambient temperature with
activated charcoal: 140 °F



Combination Filter

92296 SATA filter 444
Double-stage sinter filter/fine filter with pressure regulator and outlet module (2 x G 1/4 male thread)

92296-4 With 4 drop manifold

92833 SATA filter 444 with floor stand

28076 Stand only

92296L SATA filter 442 (in-line)
Inline version of the SATA 444, double stage filter unit
No regulator or manifold. 1/2" internal inlet & outlet threads

92320 SATA 484 filter
Triple-stage sinter filter/fine filter/activated charcoal filter with pressure regulator
and outlet module (2 x G 1/4 male thread)

92320-4 With 4 drop manifold

92320L SATA 482 filter (in-line)
In-line version of the SATA 484 triple stage filter unit.
No regulator or manifold. 1/2 inch internal inlet and outlet threads



No Longer in Production

SATA

Errors, technical modifications and printing errors reserved.

Spare parts

SATA® filter 444™ /484™

2923

Pressure spring

2949

Diaphragm

15511

Automatic condensate drain valve

22046

Pressure gauge 0 - 10 bar, 50 mm

22137

Cyclone separator

22160

Sintered filter

23804

Pressure valve

24471

Plastic nut with 2 O-rings for SATA filter series 300 and 400

24489

Threaded rod with pressure valve head

24521

Condensate retainer with O-ring

24554

Filter sleeve with automatic discharge valve

24562

Adapter, cpl. with O-ring

73890

Threaded rod

78360

Gasket

80457

Spindle for SATA filter series 400

81810

Fine filter cartridge

83113

Fixing nut

84871

Filter sleeve

85373

Activated charcoal cartridge

95851

Countersunk screw M 5 x 16

96883

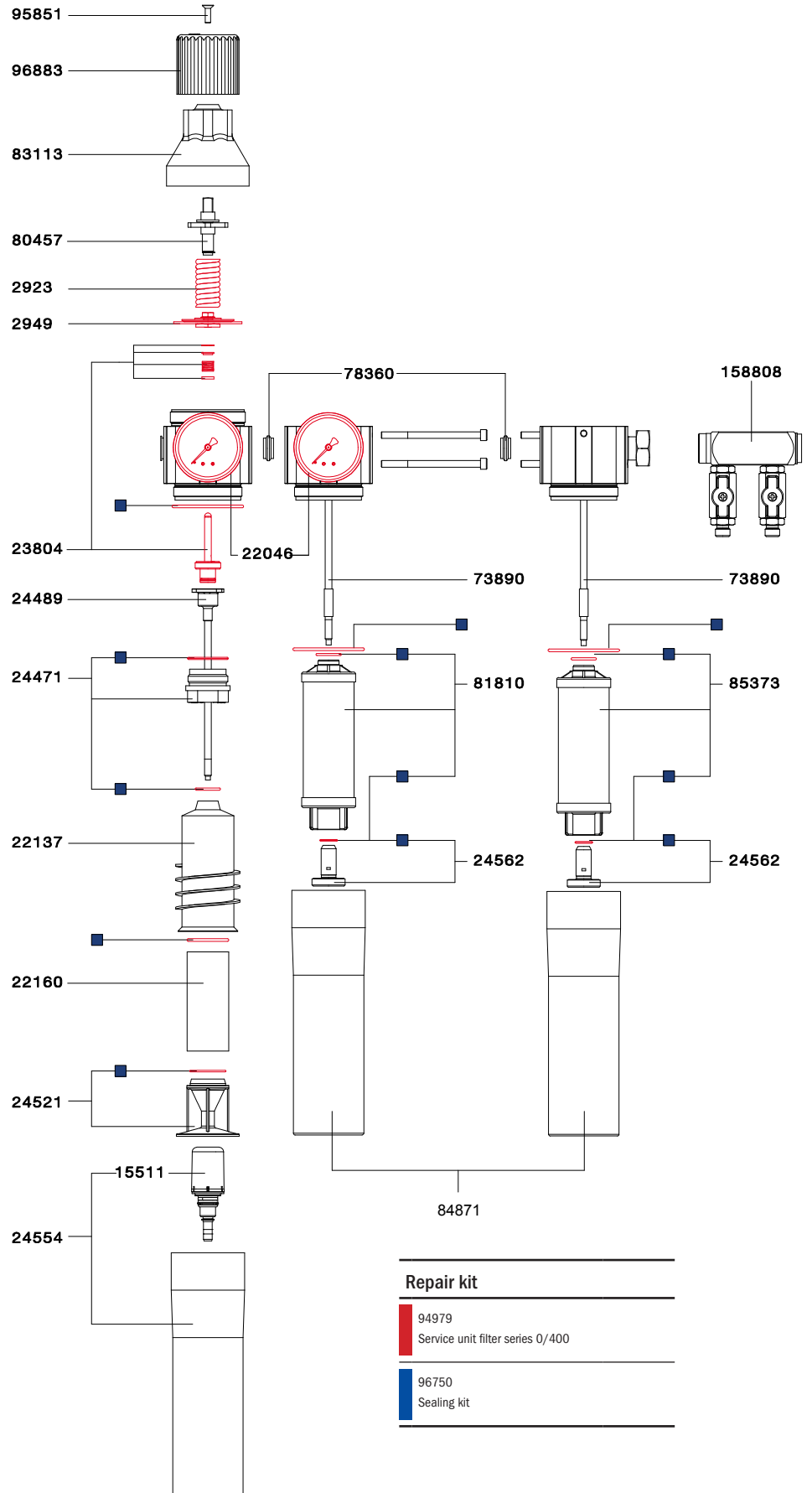
Pressure adjustment screw

158808

Manifold 2x 1/4" (male thread)

Spare parts for:

SATA filter 484 Part No. 224477



Errors, technical modifications and printing errors reserved.

SATA® filter 222™/ 242™/244™/282™/284™



Technical data:

Air inlet:	G 1/2" female thread
Air outlet:	1/4" male thread
Max. inlet operating pressure:	217 psi
Max. outlet operating pressure:	145 psi
Air flow at 87 psi:	127 CFM
Max. ambient temperature:	248 °F
Max. ambient temperature with activated charcoal:	140 °F

43687 SATA filter 222 Single Stage
Single-stage sinter filter with pressure gauge, automatic condensate discharger, (G 1/2 female thread)
5 micron filter
Use as an unregulated line filter



44434 SATA filter 234 Single Stage (in-line)
0.01 micron filter unit. Provides 99.998% clean air.
Compressed air must be pre-filtered when using this unit. 1/2 inch internal inlet/outlet thread.



141226 SATA filter 264 Single Stage
Activated charcoal unit removes oil vapor and organic odors.
Pre-filtering compressed air is required.



43752 SATA filter 242 Double Stage
Double-stage sinter filter/fine filter pressure regulator for air installation (G 1/2 female thread)
Use as an unregulated line filter for very fine particle separation
Filters down to 0.01 micron



SATA filter 244 Double Stage
Double-stage sinter filter/fine filter with pressure regulator and outlet module
Use to connect regulated air to air tools and breathing air



44404 with 2 drop manifold
44404-4 with 4 drop manifold

189290 SATA 282 Triple Stage (in-line)
An economical three-stage filter unit. Stages include a 5 micron filter with automatic condensation discharger, a 0.01 micron fine filter and an activated charcoal filter for breathing air or spraying water borne.
Used with the SATA supplied air respirator industrial belt valve or ensuring removal of oil residue when spraying water borne paint.



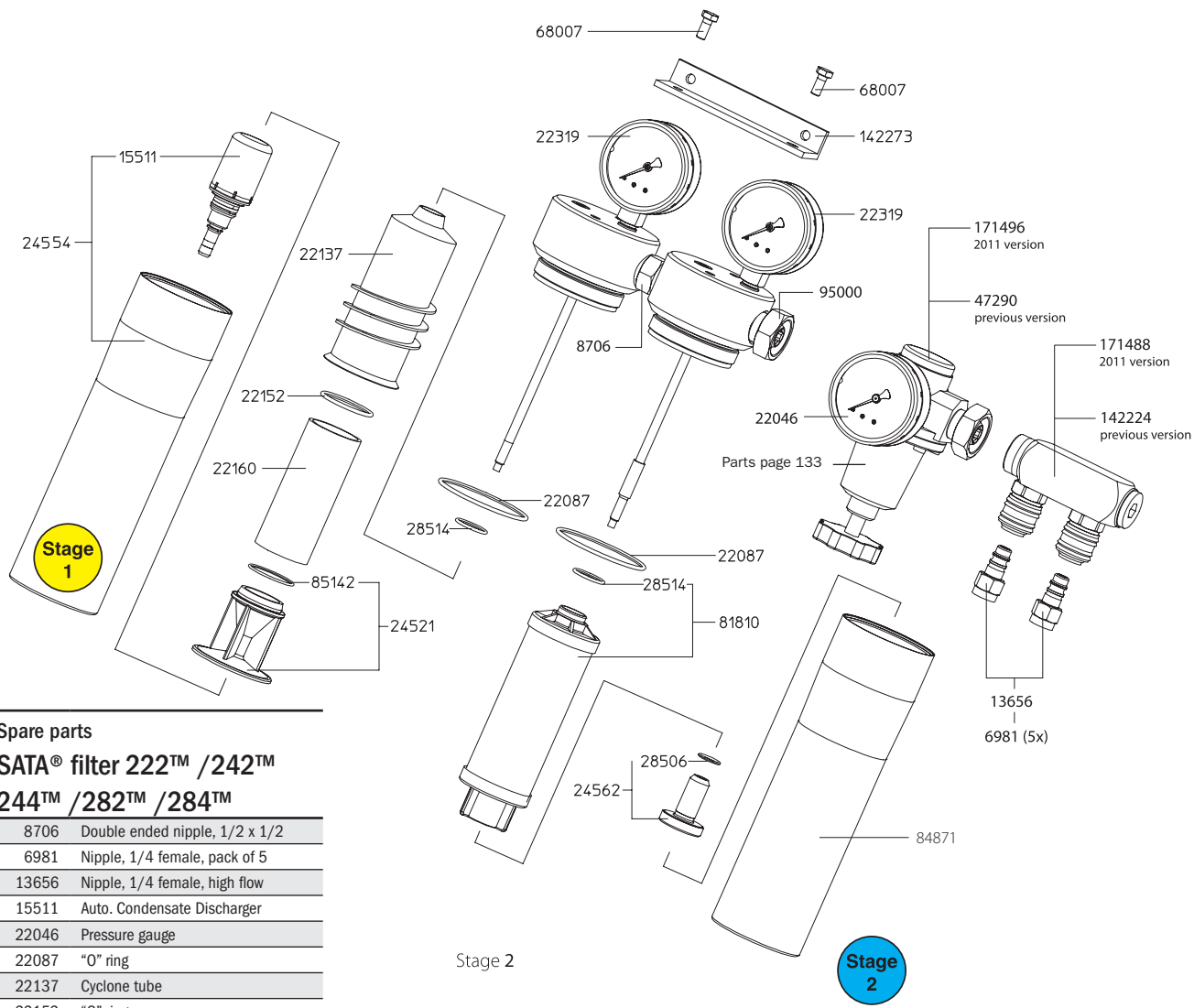
SATA 284 Triple Stage (in-line)
Triple-stage sinter filter/fine filter/activated charcoal with pressure regulator and outlet module
Used in conjunction with the SATA supplied air respirator industrial belt valve or ensuring removal of oil residue for spraying water borne paint



141218 With 2 drop manifold
141218-4 With 4 drop manifold



Errors, technical modifications and printing errors reserved.

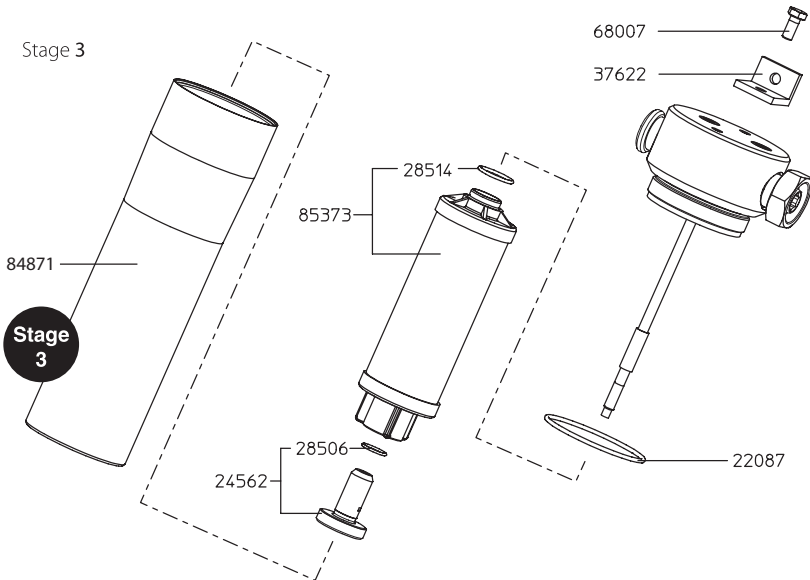


Spare parts

**SATA® filter 222™ /242™
244™ /282™ /284™**

8706	Double ended nipple, 1/2 x 1/2
6981	Nipple, 1/4 female, pack of 5
13656	Nipple, 1/4 female, high flow
15511	Auto. Condensate Discharger
22046	Pressure gauge
22087	"O" ring
22137	Cyclone tube
22152	"O" ring
22160	Sintered bronze filter
22319	Pressure gauge
24521	Baffle with "O" ring
24554	Housing tube with auto. cond. dis.
24562	Adapter with "O" ring
28506	"O" ring,
28514	"O" ring
37622	Fixing angle, single filter
47290	Pressure regulator with gauge previous to 2011
68007	Hex screw, M6x14
81810	Fine filter
84806	Aluminum plug washer
84871	Housing tube, 2nd and 3rd stage
85142	"O" ring 30 x 1.5
85357	Housing spanner wrench (not illus.)
85373	Activated charcoal filter w/O-ring
95000	Union fitting
142224	Outlet manifold w/QC couplings and nipples, previous version
142273	Fixing angle, double filter
171488	Outlet manifold w/QC couplings and nipples, 2011 version
171496	Pressure reg. with gauge, 2011 ver

SATA Filter 264



Errors, technical modifications and printing errors reserved.

Accessories for SATA® filter series

Filter cartridges

22160

Sintered filter for all SATA filter series



1097999

Fine filter cartridge for SATA filter series 500



81810

Fine filter cartridge for SATA series 200, 400



85365 SATA ultra fine filter

1098004

Activated charcoal cartridge for SATA filter series 500



85373

Activated charcoal cartridge for SATA filter series 200 and 400



1098054

Service kit for SATA filter series 500: with fine filter and activated charcoal cartridge



138933

Service kit for filter series 400: with fine filter cartridge and activated charcoal cartridge



214270

SATA six pack with #81810 (packing unit 2 pieces) and #85373 (packing unit 4 pieces) for SATA filter 484



206151 SATA filter timer only, sinter filter

206284 SATA filter timer starter set, sinter

206292 SATA filter timer starter set, fine

206318 SATA filter timer starter set, charcoal

206359 SATA filter timer starter set, set 3



171496 Pressure regulator, 200 series, 1/2" connection. Max. inlet pressure 140 psi After 2011 version



47290 SATA Pressure Regulator, 1/2" connection. Max. inlet pressure 140 psi Pre 2011 version



86892

SATA's Auto discharger is a fully automatic drain valve to eliminate condensation from your down pipes and airline drops. It is 1/2" NPT to easily connect to your drops. This requires no electricity, so can be place inside explosion proof areas.



195925

SATA adam 2U dock only, convert analog gauge to digital G1/8", can also be used on a SATA filter with adapter 677023 1/4G - 1/8 G Digital display sold separate, pg 64



Filter accessories

1114305

Adapter to retrofit SATA filter 484 to filter 584



675614

Low profile wall bracket, 400 series



53579

Standard wall bracket 400 series



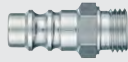
13565

SATA HVLP female nipple G 1/4 female thread (use 6981 for 5 pk)



53942

SATA HVLP male nipple G 1/4 male thread



13623

SATA quick coupling G 1/4" (male thread)



13599

SATA quick coupling G 1/4" (female thread)



1107269

SATA high-flow coupling, red, packaging unit 2 pieces for SATA filter series 500



1101146

Manifold SATA filter 500



1124940

Accessory manifold for 500 Line filter, threaded top and bottom 1/4" for mounting gauge or CO monitor. 1/2" inlet/outlet



158824

Manifold for extension with 2 ball valves for SATA filter series 400



400 series manifold, pre '11 version

59295 Manifold, 2 drop

59295-4 Manifold, 4 drop



400 series manifold, after '11 version

158808 Manifold, 2 drop

158808-4 Manifold, 4 drop



200 series manifold,w/cplr & nipple

171488 Manifold, 2 drop

171488-4 Manifold, 4 drop



200 series manifold,w/couplings, nipple, 1/2" connection <'11

142224 Manifold, 2 drop

142224-4 Manifold, 4 drop



9878

SATA mini filter 1/4" (male thread) Dust, oil and condensation are filtered directly at the gun. 10 micron performance through sintered bronze. Max 45 psi 4.4 oz.



Accessories for SATA® filter series

Filter accessories

10934
Ball tap (Teflon) 1/2" male thread for air inlet
SATA filters and cleaning devices



1124958 Distance adapters for the air inlets 500 filter

Air quality control

156299
SATA air tester, atomization air quick tester



7096
SATA air check set compressed air quality control device for optimum spray air



7666-10 Test paper (10 pk) for SATA air check set

74625 Replacement gauge for air check set

84681 O-Ring

7419 Mag glass

1107350
Service tachometer for the spray booth, A3,
German / English for SATA filter series 500



133587
SATA Service Tacho for the paint spray booth,
German/English, DIN A3

1101500
SATA filter cover (packing unit 4 pieces) for
SATA filter series 500



215053
SATA filter cover (packing unit 4 pieces) for all
SATA filter series



Dan-Am Point of use Regulator

675636 Dan-Am Airbrush Regulator
Precise control of air flow and pressure with a 60 psi gauge, w/ bracket. 1/4"



675635 Dan-Am In-Line Regulator
Precise control of air flow and pressure with a 160 psi gauge. 1/2"



675634 Dan-Am In-Line Regulator w/bracket
Precise control of air flow and pressure with a 160 psi gauge. 1/2"



675652 Dan-Am point of use regulator with 2 or 4 drop manifold, mounting bracket, 1/2"



675654 Max inlet pressure: 216 psi
4 drop
Max. CFM: 140 160 psi gauge

675658 Dan-Am vertical line reg. w/45 deg 2 drop manifold



675660 Dan-Am regulator w/ adjustable 2 drop manifold and bracket



675677 Regulator with 6 drops and brackets, heavy duty



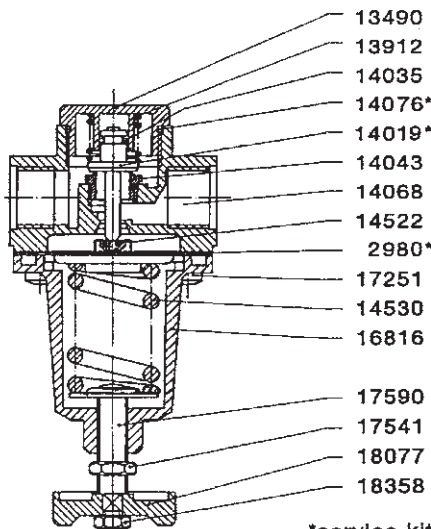
677506 Replacement gauge 0-160 psi

Pressure Regulator Spare Parts

Spare parts #47290

SATA® pressure regulator

2980	Diaphragm
13490	End screw cover
13912	Compression spring
14019	Valve Pin
14035	O Ring
14043	Valve seat
14068	Head piece
14076	O Ring (End Cap)
14522	O Ring 25 x 15
14530	Compression spring
16816	Bell housing
17251	Cylinder screw
17541	Counter nut M10 x 1
17590	Spindle
18077	Adjusting knob
18358	Nut, Adjusting knob
90951*	Diaphragm Repair Kit



*service kit

Repair kit

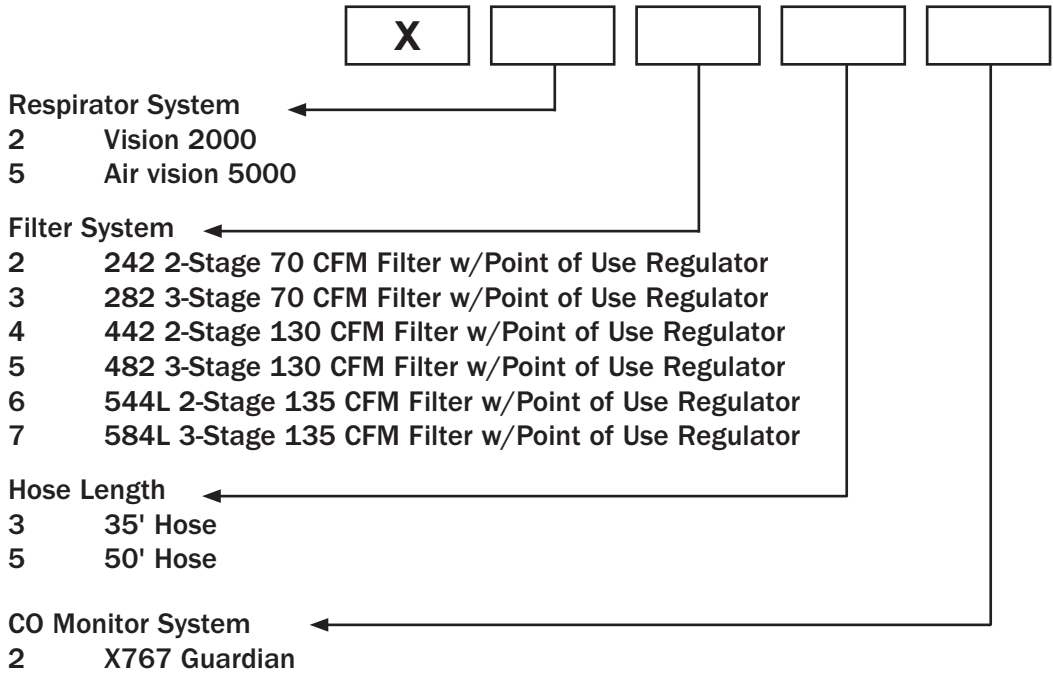
*90951
Diaphragm Repair Kit

Errors, technical modifications and printing errors reserved.

S.A.M.S.

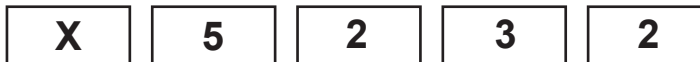
(Supplied Air Monitoring System)

A COMPLETE SUPPLIED AIR RESPIRATOR SYSTEM INCLUDING COMPRESSED AIR WALL FILTER, REGULATOR, CO MONITOR, HOSE, AND FITTINGS



Systems include necessary fittings and Loctite for complete installation

Example



This part number includes:

- 1 - Air vision 5000 Hood with Belt Unit
- 1 - 2-Stage Line Filter and Regulator with 2 Connections
- 1 - 35' Hose
- 1 - X144 Individual CO Monitor










Tips: Choose the 2 stage filter for solvent based coatings
Choose the 3 stage filter for water based coatings

Errors, technical modifications and printing errors reserved.



Accessories

Type of device	Fields of application/function
 <p>SATA trueSun 137</p>	<ul style="list-style-type: none"> High performance diaphragm pump technology with enhanced pump capacity for high speed application Individual versions for pumping, feeding or painting Ultra-fine atomization of primer materials and topcoats in conjunction with the reliable, top quality SATA spray guns (e.g. SATAjet 3000 K and 1000 K)
 <p>SATA clean RCS SATA clean RCS compact SATA clean RCS micro 138 – 139</p>	<ul style="list-style-type: none"> Rapid cleaning system for intermediate cleaning of spray guns for quick color changes when using multi-purpose cups, e.g. SATA RPS Suitable for waterborne and solvent-based paint systems
	
	
 <p>SATA dry jet 2 140 – 141</p>	<ul style="list-style-type: none"> Accelerated drying of surfaces painted with waterborne materials Ideally suited for smaller paint jobs, as expensive booth heating times are being avoided Integrated air regulation to set the inlet pressure
 <p>SATA Blow Guns 142</p>	<ul style="list-style-type: none"> To blow-off dust and particles - low air consumption, high efficiency Robust and very durable Different versions with special nozzle set-ups available
 <p>Grit blasting equipment 142 – 143</p>	<ul style="list-style-type: none"> Grit blasting guns with hard metal insert - to remove rust efficiently and quickly Ideal for areas of difficult access Injector suction principle optionally with hand-held gun or large containers
 <p>Rustproofing Equipment 144 – 147</p>	<ul style="list-style-type: none"> Pressurized cup spray gun for cavity preservation and under body protection of all vehicle types. Different cavity wand systems are available. Fine atomization even with the application of high-viscosity materials by pressurization with up to 10 bar
 <p>SATA vario top spray 148– 151</p>	<ul style="list-style-type: none"> High performance diaphragm pump technology with enhanced pump capacity for high speed application Individual versions for pumping, feeding or painting Ultra-fine atomization of primer materials and topcoats in conjunction with the reliable, top quality SATA spray guns (e.g. SATAjet 3000 K and 1000 K)

SATA® trueSun™
The Daylight
Solution



SATA® trueSun™

Technical data:

Battery operating time:	70 min.
Weight:	approx. 1 lb.
Charging time:	50 Min



Available versions

1012129

SATA trueSun, incl. battery charger and battery



1013094

Storage Case SATA trueSun, incl. foam inlay



1013151

Foam inlay with pinched inlay for storage case SATA trueSun

Spare parts

SATA® trueSun™

1012096

Shock protection

1010082

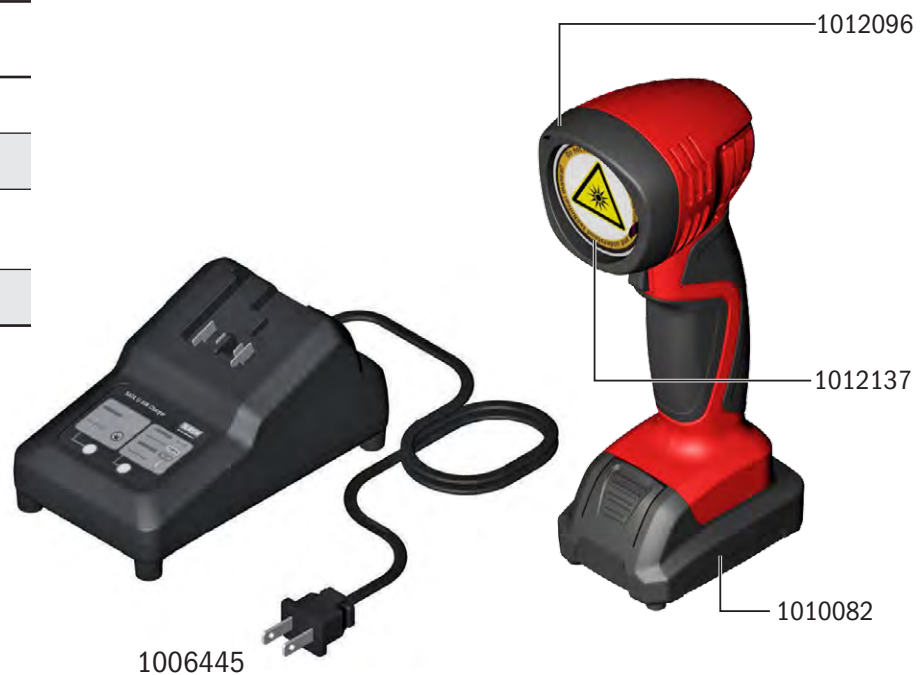
Battery

1012137

Protective glass If protective foil is on the glass, please remove before using!

1006445




Battery charger



Errors, technical modifications and printing errors reserved.

SATA Cleaning Systems




Intermediate Cleaning

			
Available versions	SATA clean RCS	SATA clean RCS compact	SATA clean RCS micro
Part No.	146944	192518	202564








Technical Data

Dimensions (W x H x D)	12" x 28" x 9"	12" x 18.3" x 9"	7.3" x 18.3" x 8"
Net weight	22 lbs	15.5 lbs	9 lbs
Inlet pressure	87 psi - 116 psi	58 psi	58 psi
Air consumption	4.5 CFM per cleaning includes drying process		
Air connection	1/2" male or G 1/4" female thread	1/4" male thread	
Container for cleaning agent	2x RPS cups; alternatively: retrofit kit for external pick-up and recirculation of cleaning agent from two bulk containers (Part No. 189472)	2 containers (not included in delivery)	
Required time per cleaning process	approx. 25 sec		
Rinsing agent volume per cleaning process	approx. 5 oz.		
Type of cleaning agent	Water, solvent-based or combination cleaner		
External pick-up and recirculation of cleaning agent for bulk containers	●	●	●
Manual cleaning	●	●	●
Automatic cleaning with time control	-	-	-
Integrated drying	●	●	●
Blow-off device	●	●	●
Number of cleaning/drying chambers	2	2	1
Installation location	Spray booth	also in the mixing room/area outside the spray booth	
The spray gun can remain connected to the air line during the cleaning process	●	-	-
Connection for exhaust air	●	●	●






● Standard | ● Optional | - non-existing/not required

		
SATA clean RCS	SATA clean RCS compact	SATA clean RCS micro

Recommended connection accessories (depending on the installation method)

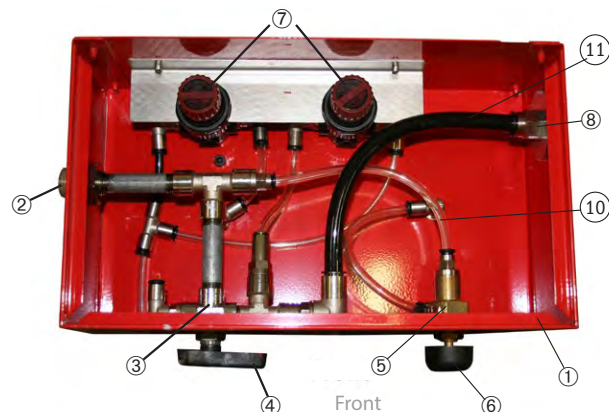
10934 Ball tap (Teflon) 1/2" male thread for air inlet	X			
146514 SATA air hose, red, 13 mm, 0.5 m, G 1/2" (female thread), one connection included	X			
13870 SATA air hose, blue, 9mm, 1.2 m with quick coupling, red and nipple	X	X	X	
53090 SATA air hose, blue, 9mm, 10 m with quick coupling, red and nipple	X	X	X	
13581 SATA quick coupling G 3/8" (female thread)	X			
13623 SATA quick coupling 1/4" (male thread)	X			
192633 Add-on kit: Suction hose for solvent vapors	X	X	X	

Other accessories/spare parts

9886 SATA gravity gun holder for gravity cup spray guns	X	X		
192195 SATA universal spray gun and hose holder	X	X		
6981 SATA quick coupling nipple G 1/4" (female thread) (packing unit 5 pieces)		X	X	
53942 Nipple G 1/4 f. GS respirator, UBE + blow-off gun, size 14	X			
189472 Conversion kit external cleaning agent - suction and recirculation	X	X	X	
146985 Repair kit	X	X	X	
146993 Splash guard with fixing rivet (each 5 pieces)	X	X	X	
640122 Grounding cable, 3 m, 4 mm ²	X	X	X	
153965 Hose, transparent, 8 x 1, 95 mm, for spray guns with adapter (2 pieces)	X	X	X	
147025 Replacement tubes, 2 pk	X	X	X	

SATA Clean RCS Turbo Air Flow parts

Pos	Part No.	Description
1	158709	Complete top assembly, SATA RCS
2	*	Inlet fitting
3	146308	3 way selector valve w/knob
4	146720	Knob only, for #146308 valve
5	147140	Air valve for drying w/o knob, RCS
6	147108	Button knob only for #147140 valve
7	*	Regulator
8	*	Outlet fitting
9	145755	Black connection box (not shown)
10	675560	6mm OD Tubing
11	*	12mm OD Tubing



Errors, technical modifications and printing errors reserved.

* Inquire, call 1-800-533-8016 Any other parts please inquire

SATA® dry jet 2™

Technical data:

Air consumption:	9.5 CFM
Inlet pressure:	36 psi
Max. inlet pressure:	145 psi



Available versions

217489

SATA dry jet 2 blow gun

lightweight blow gun makes quick work of drying waterborne material. A special nozzle design multiplies air volume from ambient air using the Venturi injection principle. An air intake filter prevents contamination of the paint.

Air consumption is only 9.5 cfm at 35 psi. The CFM is magnified x10 to give a 92.35 CFM output.



SATA dry jet stand (adjustable height: 11 - 74.8 inches)

223008

SATA dry jet 2 stand with height-adjustable bracket, 2 blow guns



84145 Height extension approx. 120 cm, stainless steel for SATA dry jet stand

86140 Extension for SATA dry jet 97 stand with third blow gun

SATA® dry jet

144105 The SATA dry-jet "S" is specifically designed for mounting on one of our blow gun stands. Air consumption 10 CFM, Operating pressure 29-36 psi, Max inlet pressure 174 psi

1003459 SATA dry-jet filter holder

81836 SATA dry-jet ball valve

82248 SATA dry-jet filter, pack of 3



Spare parts

SATA® dry jet 2™

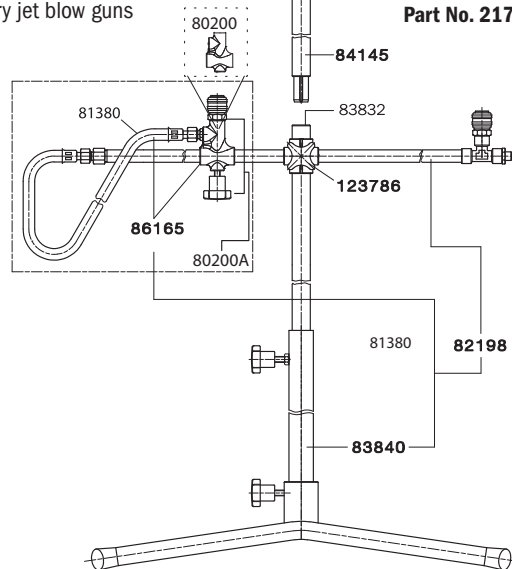
80200	Connection, dry-jet S without fittings
80200A	Connection, dry-jet S, includes fittings & knob (80200, 81604, 13623, 677002 assembled)
81380	Hose only, Sata dry-jet adjustment mount
82198	Stand for SATA dry jet without blow guns
83832	Cross bar connection
83840	Stand, complete, for Vario Top Spray and dry-jet, can be disassembled
84145	Height extension approx. 120 cm, stainless steel
86165	Conversion kit for SATA dry jet, adjustable version
123786	Cross piece, cpl. for dry-jet 2
1024257	Spare flat sieve 200 µm, pastel green (10 pieces)
222232	Filter holder
223834	Flat fan nozzle

Spare parts for:

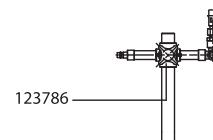
SATA dry jet stand

Part No. 223008

Illustration without SATA dry jet blow guns



Spare parts for:
SATA dry jet 2
Part No. 217489



Errors, technical modifications and printing errors reserved.

Dan-Am blow gun stands and parts

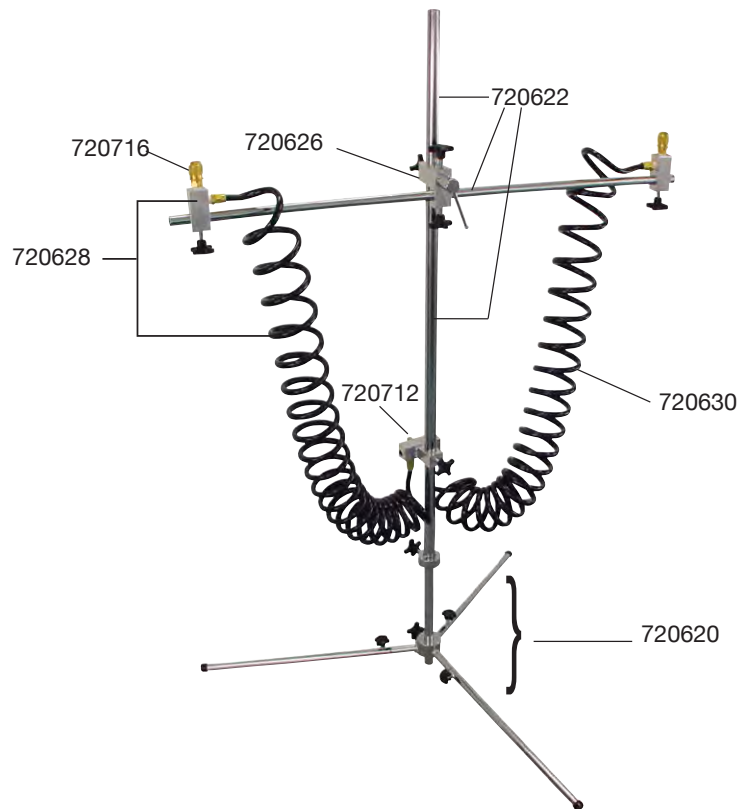
Econo-jet Blow Gun Stand	
<p>This economical mobile stand holds up to two SATA blow guns, adjustable gun height, with 360° swivel or tilt. Supplied with high flow connections and tubing for maximum performance of the blow gun. It is easily set up and compact for storage. It is fully compatible with SATA's dry-jet or dry-jet 2 blow gun. The stand will be offered as a package with two guns.</p> <p>This is a must have tool for drying waterborne paint, as waterborne dries substantially faster with air flow, saving time for more added production.</p>	
720580	Econo-Jet stand only
720640	Econo-Jet stand w/ 2 SATA dry-jet 2 blow guns (217489)



Spare parts

Dan-Am Econo jet stand

720620	Base Assembly
720622	3 pc. Pipe Set
720624	Knob, set of 4
720626	Swivel Cross Assembly
720628	Air Delivery Component Set
720630	Coil Air Hose
720712	Hi Flow Nipple
720716	Hi Flow Coupler



Grit Blasting Equipment / Blow Guns

Grit blasting equipment

17335 SATA grit blasting gun super version spraying pipe w/ carbide insert



39172 SATA sandblasting set: sand blast gun with carbide pipe, mask, gloves, blast material
special order item only



17699 SATA sandblasting hood



Blow guns

15156 SATA blow gun with standard nozzle



26070 Standard nozzle for SATA blow gun 15156 (blow gun)



15180 SATA blow gun with low noise metal nozzle



77586 Special low noise nozzle for SATA blow gun 15180 (blow gun)



15214 SATA blow gun with multi nozzle



26047 Metal multi-nozzle M14 x 1



133306 SATA turbo blow with quick coupling nipple



59675 Dosenboy, heavy-duty accessory provides easy removal of paint and solvent container tins lids.
For ease of flattening of the container

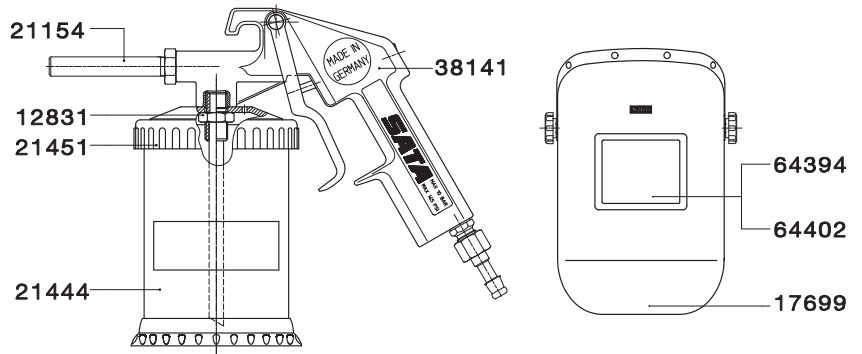
Adjustable to 14" height, replaceable blade



Spare parts

SATA® Grit Blasting gun

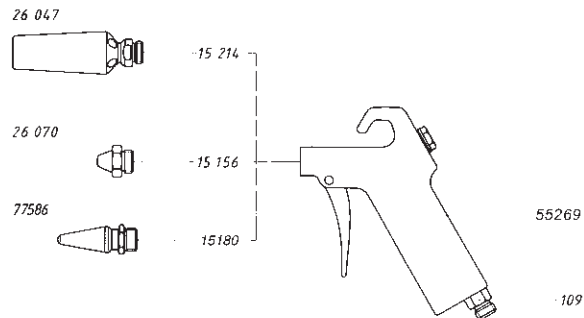
12831	Hexagon nut SPO ascending pipe
17699	SATA HMO head protection hood
21154	Blast pipe w/ carbide insert
21451	Lid for 0.6 l PVC suction cup
25411	Blast pipe w/ carbide insert
38141	SATA SGE gun with carbide spray pipe
64394	Screen, pack of 5
64402	Glass visor screens, pack of 5



Spare parts

SATA® Blow Gun

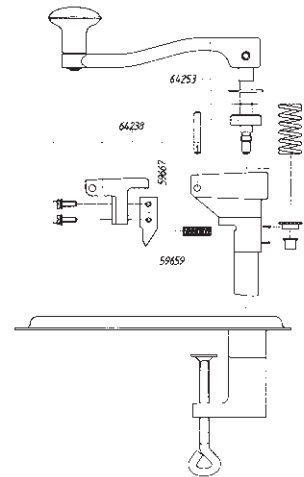
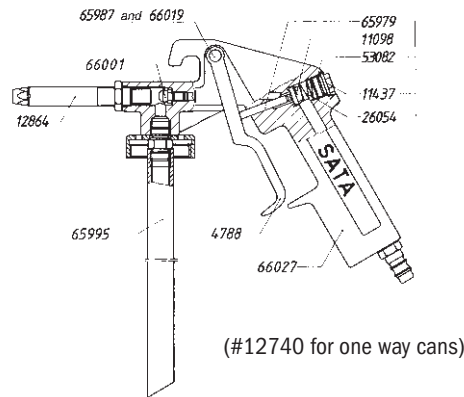
109	Air inlet fitting
15156	Blow gun, standard
15180	Blow gun, noiseless
15214	Blow gun, multi-nozzle
26047	Head, multi-nozzle
26070	Head, standard
55269	Gun body
77586	Head, noiseless





Spare parts

UBE Undercoating Gun

4788	Trigger
11098	Packing, air piston
11437	End screw
12864	Spray tube
26054	Pressure spring
53082	O ring, air piston
65979	Air piston
65987	Trigger pin
65995	Pickup tube
66001	Nozzle
66019	Circlip



Under body protection

12740	SATA UBE suction gun for under body protection from disposable containers Type 1, European containers (9.5" pick-up tube)	
H823W	Dan-Am undercoating gun for efficient means of rust prevention. U.S. throw away containers	

Spare parts

SATA® Dosenboy

59659	Transport gear
59667	Blade
64238	Blade assembly
64253	Handle assembly

Errors, technical modifications and printing errors reserved.

Rustproofing Equipment

Cavity preservation, Type 1

9795 SATA HRS pressurized cup spray gun, Type 1, with 1.0 l cup with wands, flexible nylon, door and hook wand
Special equipment for hollow cavity corrosion protection. Refillable 1 liter pressurized cup to 150 psi. May be used free spraying or connected to wands. Fine atomization from mixing cap and pressurized cup. The standard model uses Type 1 connection (small wand coupling). **Complete with cup, quick coupling, steel door wand #16071, flexible nylon wand #16113 and hook wand #16139**

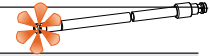


11072 SATA HRS pressurized cup spray gun with 1.0 l cup, material coupling, without material flow control, without wands, Type 1

12658 SATA HRS pressurized cup spray gun with 1.0 l cup, material flow control, without wands, Type 1

77347 SATA HRS pressurized cup spray gun with 1.5 l cup, material flow control, without wands

16071 Fixed door wand (steel), Type I, 1.1 m long, 8 mm, with radial nozzle 360 ° radial fan



16105 Flexible nylon wand, 1.5 m long, Type I, 6 mm, with rotary nozzle 360 °

16113 Flexible nylon wand, 1.3 m long, Type I, 8 mm, with radial nozzle 360 ° radial fan

1058826 Flexible nylon wand, 3 m long, Type I, 8 mm, with radial nozzle 360 ° spraying forward

11866 Venturi hook wand, 4 mm, with flexible guideway hose, Venturi spraying tube, for cavity and surface application

206904 Venturi hook wand 4 mm, hook nozzle cpl. in 3 m length, flexible guide hose, Venturi spray tube, for cavity & surface application

11874 Flexible nylon wand 1.5 m long, 6 mm, with radial nozzle 360 ° radial fan and diagonal spray



51185 Nylon wand, semi rigid 1.5 m long, 6 mm, with rotary spray nozzle 360° and spraying diagonal forward and backward

16139 Venturi hook wand, .7mm with flexible rubber hose



24372 Flat hook nozzle for HRS



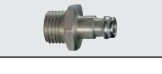
8359 Material coupling for clear passage for wand systems, Type 1



25486 Round spray nozzle for surface application and under body protection



16048 Quick coupling nipple for wands 80-4133 G 1/4



196832 Door wand, nickel-plated steel, 6" effective length, 0.8 mm, with radial nozzle 360° for radial fan and forward spraying, 39" flexible guide hose



198762 Round spray nozzle for surface application with flexible guide hose for under body protection

Cavity preservation, Type 2

27565 SATA HRS Rust Protection, Type 2
Economy version with 1 liter pressurized cup to 150 psi., with one nylon wand (#77941) and one hooked nylon wand (#54460)

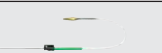


77941 Flexible Nylon wand, 1500mm, Type 2, w #16170 coupling



16154 Rigid nylon wand, 1100, Type 2, 1.100 mm Ø 8 mm, with radial nozzle 360 ° radial fan and diagonal

54460 Hook wand, 750mm, Type 2



16170 Coupling, Type 2



16055 Hook wand nipple, Type 2

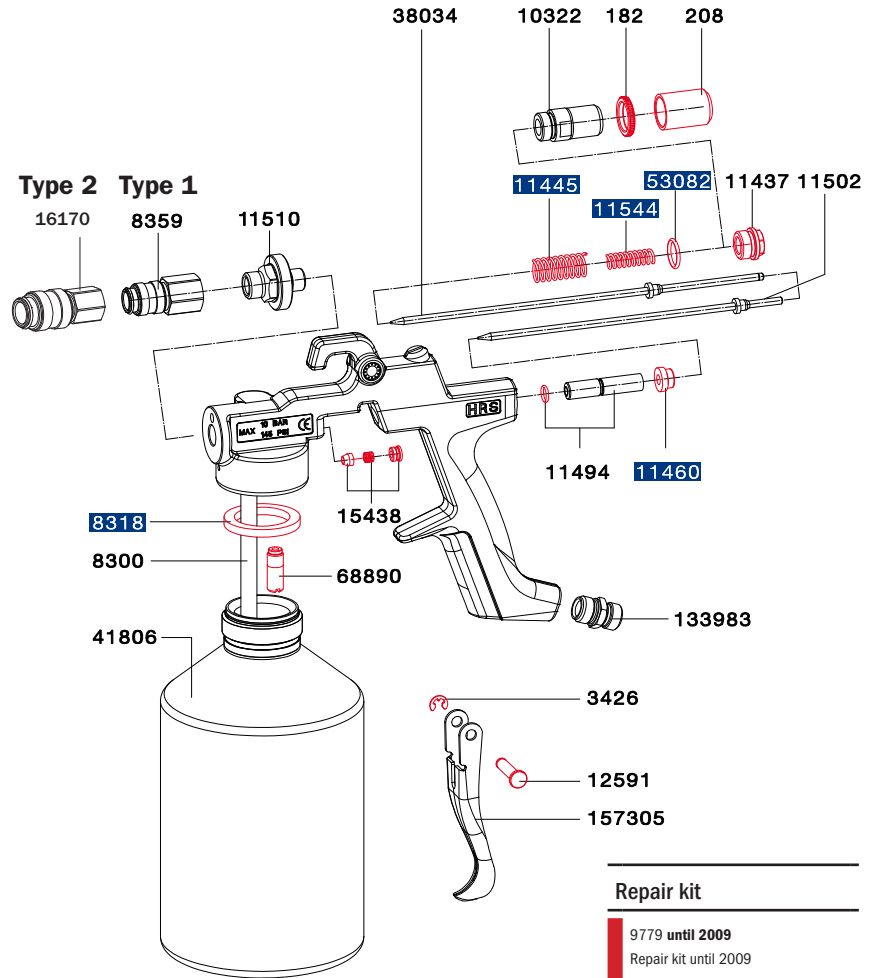


11213 Round spray nozzle, Type 2

Spare Parts

SATA® HRS™

182	Counter nut
208	Material flow control nut
3426	Safety washer 4 mm DIN 6799 stainless steel for trigger
8300	Suction pipe, drilled*
8318	Sealing ring
8359	Material coupling for clean passage for want systems, Type I
10322	Guide sleeve complete, for HRS with material flow control
11437	End screw
11445	Compression spring
11460	Air piston
11494	Cam rod, complete with O-ring
11502	Paint needle 1.5, complete with needle sleeve
11510	Mixing cap, completely machined
11544	Compression spring for paint needle
12591	Bracket bolt for SATA paint spray guns except SATAmijet
15438	Paint needle packing
16071	Fixed door wand (steel) 1.300 mm Ø 8 mm, with radial nozzle 360 ° radial fan, Type 1
16113	Flexible nylon wand 1.300 mm Ø 8 mm, with radial nozzle 360 ° radial fan, Type 1
16139	Venturi hook wand, .7mm with flexible rubber hose, w/ radial nozzle 360 ° radial fan + spraying diagonally backwards + forwards, Type 1
16170	Wand coupling, large, Type 2
24372	Flat hook nozzle for HRS
25486	Round spray nozzle for surface application and underbody protection
41806	1.0 l aluminum pressure pot max pressure 150 psi complete with threaded ring
53082	O-ring 12 x 1.5 mm made of Perbunan
68890	Inflow Valve
133983	Air connection piece G 1/4a
157305	Trigger
193060	Bushing seal for cup

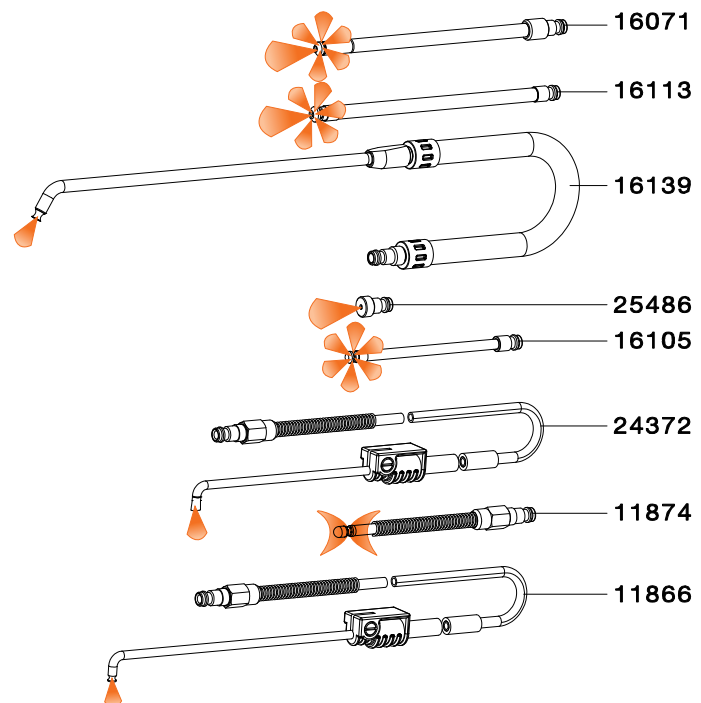


Repair kit

9779 until 2009
Repair kit until 2009

161158 from 2010
Repair kit as of 2010

35204
Wear-and-tear parts kit for HRS



Errors, technical modifications and printing errors reserved.

Rustproofing Equipment

Barrel pump unit for cavity preservation

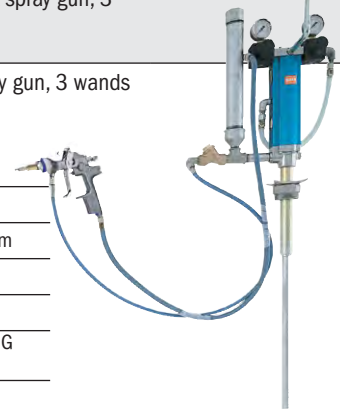
14555 SATA HKU barrel pump unit, 60 liter, consisting of pump 3:1, with pair of hoses 10 m, jet 1000 KK spray gun, 3 wand set, type 1 connection

34389 SATA HKU barrel pump unit, 200 l, consisting of pump 3:1, hose pair 10 m long, jet 1000 KK spray gun, 3 wands with type 1 connection

HKU Technical Details

Pump volume with nozzles:	app. 0.036 cfm
Air consumption spray gun:	7.1 cfm
Air consumption pump at 72.5 psi inlet pressure:	8.2 cfm
Air connection thread:	G 1/4 outs. thread
Total weight:	24.2 lb / 11 kg
Max. air pressure:	150 psi
Min. air pressure:	37.5 psi
Max. material pressure:	450 psi

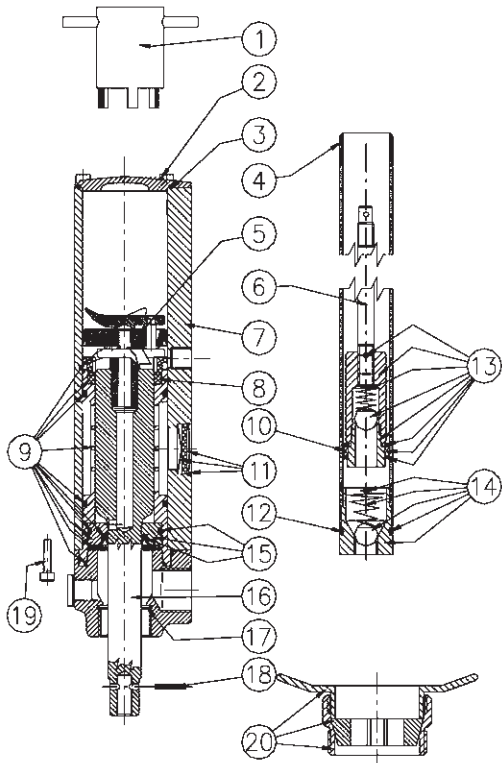
Bursting pressure:	2250 psi
Free material flow:	approx. 22 l/m
Air Connection:	G 1/4 int.
Material outlet:	G 3/4 int.
Material outlet:	suction pipe G 3/4
Noise emission at 0.MPa (105 psi):	79 dB (A)2
Barrel connection with 2" thread is supplied with the pump.	



153700 SATAjet 1000 K 1.5 paint tube G 1/4a, special connection with coupling (8359)



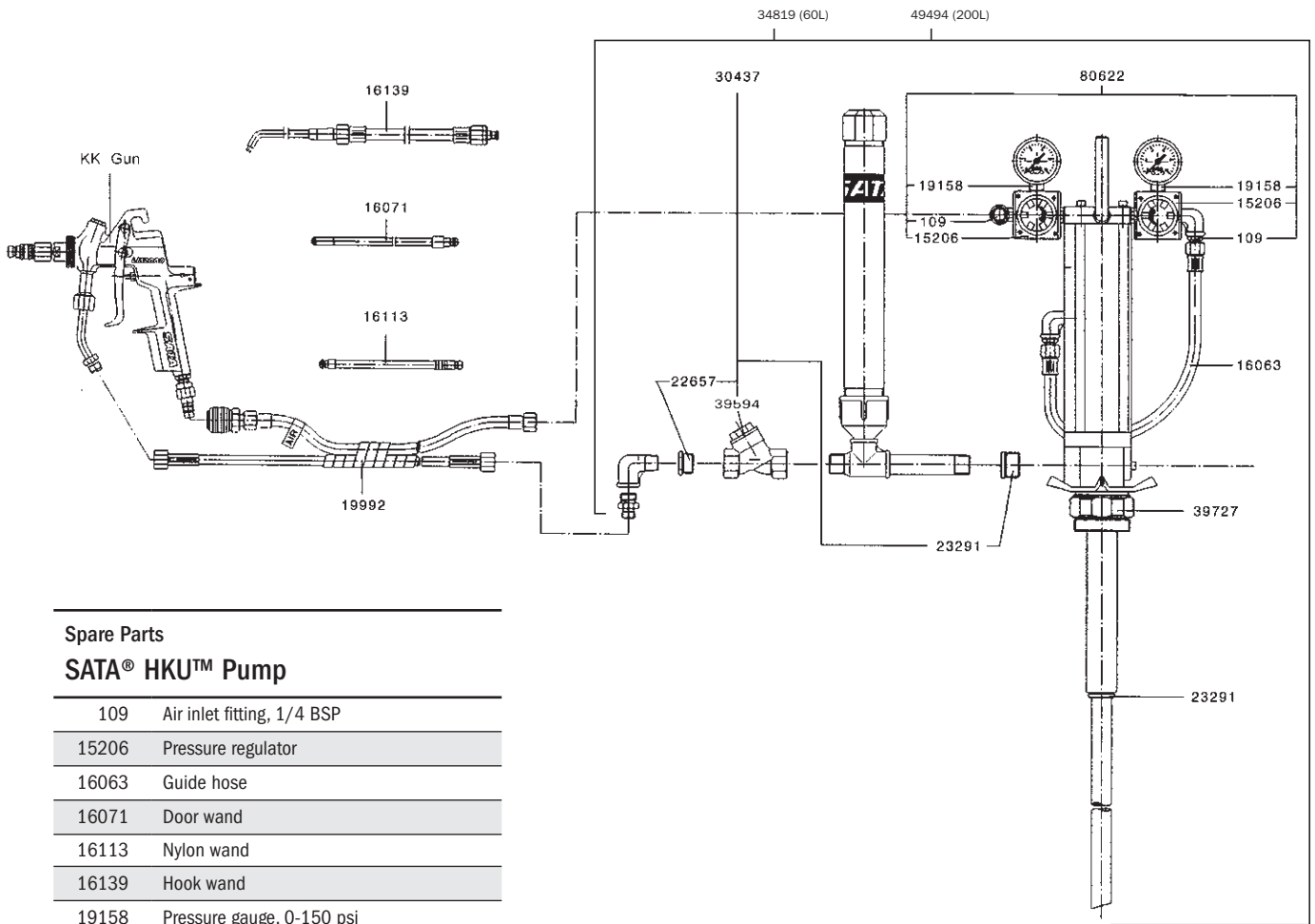
17251WS Wand set, Type 1, set of 3
 1) nylon wand #16113 - 8 x 1300mm, 1) door wand #16071- 8 x 1100mm,
 1) hook wand #11866-venturi 750mm



SATA® HKU™ pump unit	position
51961 Packing kit	8, 10, 12, 15, 17, 18
51979 Air motor repair kit	2, 3, 9, 16, 18, 19
57406 Pump tube repair kit	13, 17, 18
16063 Guiding hose	
23291 Reduction nipple	
30437 Pressure compensation containers, cpl.	
34819 SATA material-feed pump only complete 1:3 60 l with control unit	
38679 Suction pipe for 60 ltr. Barrel	
39594 Sieve insert	
39727 Barrel-screwing	20
49494 SATA material feed pump only complete 1:3 for 200 l, with control unit	
55517 Valve mechanism cpl.	5
57471 Bottom valve cpl.	14
57521 Piston rod	6, 18
70086 Suction tube for 200 ltr. barrel	
80622 Pump fittings	



Errors, technical modifications and printing errors reserved.



Spare Parts
SATA® HKU™ Pump

109	Air inlet fitting, 1/4 BSP
15206	Pressure regulator
16063	Guide hose
16071	Door wand
16113	Nylon wand
16139	Hook wand
19158	Pressure gauge, 0-150 psi
19992	10 meter combination hose, with fittings
22657	Bushing, 3/8 x 1/2
23291	Reducing nipple, 3/4 x 1/2
30437	Pressure compensation container
34819	60L Pump only complete
38679	Suction pipe, 60 liter
39594	Sieve insert
39727	Barrel screw
49494	200L Pump only complete
51961	Packing kit (#8, 10, 12, 15, 17, 18)
51979	Air motor repair kit (#2, 3, 9, 16, 18, 19)
55517	Valve mechanism, cpl. (#5) (N/A separately)
57406	Pump tube repair kit (#13, 17, 18)
57471	Bottom valve, cpl. (#14)
57521	Piston rod (#6, 18) (N/A separately)
80622	Pump regulator and fittings

▶ See page 144 for additional Type 1 wands



SATA® vario top spray™

Technical data:




Pump ratio:	1:1	
Material pressure:	116 psi	
Material flow volume (at 220 double strokes):	1.1 CFM	
Air inlet pressure min.:	14 psi	
Air inlet pressure max.:	116 psi	
Version and weight without add-on components:	Aluminum: 13 lb	Stainless steel: 26 lb



SATA vario top spray - Pumps

61192	Double diaphragm pump 1:1, industrial version, material connection G 3/8" (female thread), air inlet G 1/4" (female thread), without grounding cable	
88641	Double diaphragm pump 1:1, stainless steel, industrial version, material connection G 3/8" (female thread), air inlet G 1/4" (female thread), without grounding cable	

Aluminum versions

81661	SATA vario top spray S, double diaphragm pump 1:1, with stand, material fine pressure regulator, without spray gun and hoses	
61507	SATA vario top spray W, double diaphragm pump 1:1, for wall mounting, with material fine pressure regulator, suction tube and 1 spray gun connection, without spray gun and hoses	
61515	SATA vario top spray F, on trolley, double diaphragm pump 1:1, with material fine pressure regulator, with suction tube	
138941	SATA vario top spray FFB, double diaphragm pump 1:1, on trolley, with gravity flow container, material fine pressure regulator, without suction tube, 1 spray gun connection, without spray gun and hoses	
62745	SATA vario top spray FFB, double diaphragm pump 1:1, on trolley, with gravity flow container, material fine pressure regulator, suction tube, 1 spray gun connection, without spray gun and hoses	

Stainless Steel Versions - pump and material passages made of stainless steel

81406	SATA vario top spray S, for waterborne paints, w/ stand and material fine pressure regulator, suction tube and one spray gun conn.
72678	SATA vario top spray W, for waterborne paints, wall mounted version, with suction tube, w/o gun or hoses
72694	SATA vario top spray F, for waterborne paints, on trolley, with suction tube, w/o gun or hoses
138958	SATA vario top spray FFB, double diaphragm pump 1:1, stainless steel version, on trolley, with gravity flow container, fine material pressure regulator, without suction tube and 1 spray gun connection, without spray gun and hoses.
95109	SATA vario top spray FFB, double diaphragm pump 1:1, stainless steel version, on trolley, with gravity flow container, material fine pressure regulator, suction tube and 1 spray gun connection, without spray gun and hoses

▶ Additional pumps and pressure pots on pages 170|183



Errors, technical modifications and printing errors reserved.

Spare parts

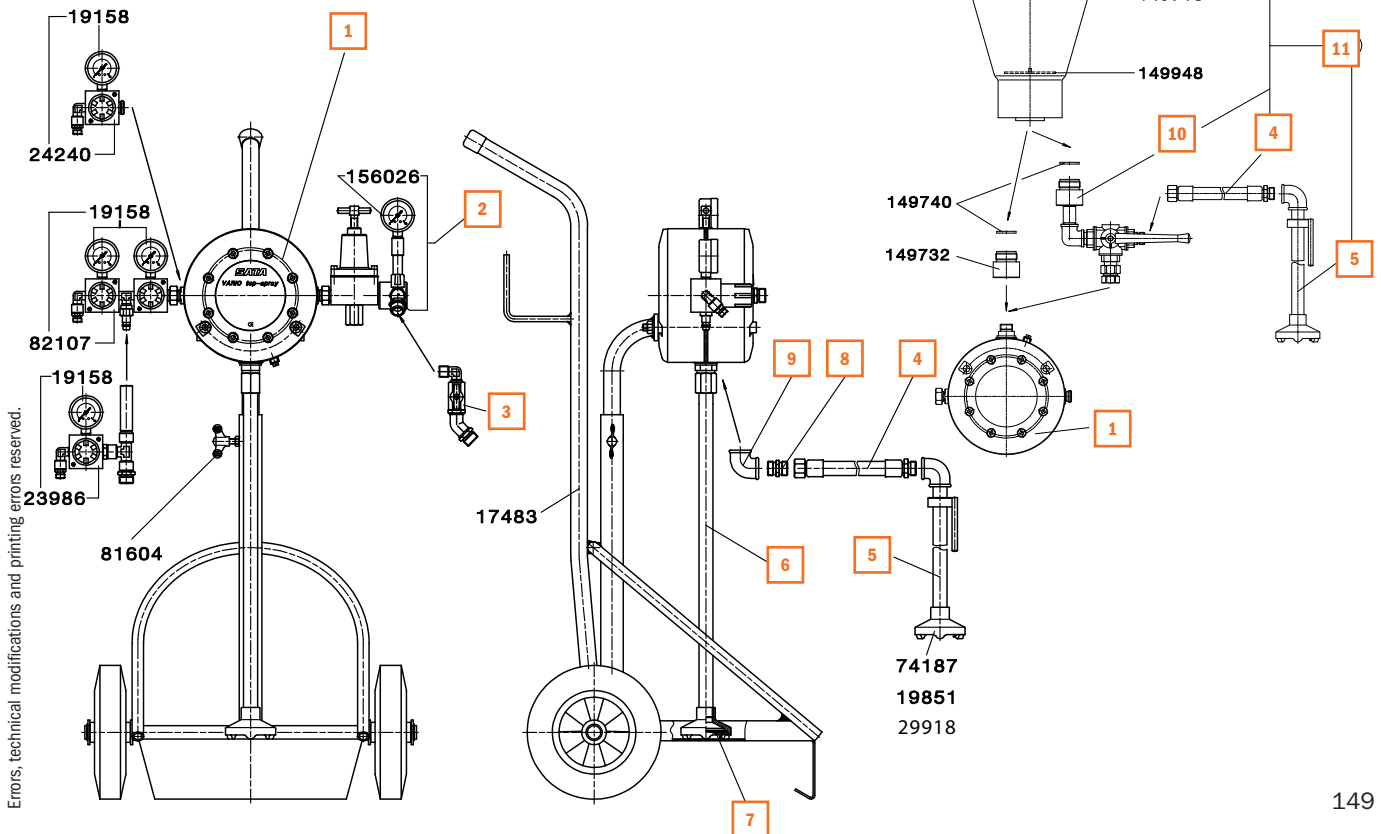
SATA® vario top spray

83840	Floor Stand
11007	Wall Mount
12534	Gasket for suction tube
17483	Trolley, cpl.
19158	Pressure gauge 0 - 145 psi 50 mm
19851	Sieve hose (packing unit 10 pieces)
23986	Air connection for second spray gun, cpl.
24240	Single pressure regulator, cpl. with pressure gauge 0 - 145 psi
74187	Suction globe, cpl. version for waterborne materials
81604	Wing-shaped handle for stand, SATA pumps and dry-jet
82107	Double pressure reducer, cpl. with pressure gauge 0 - 145 psi
149716	Gravity flow cup 6 l with lid
149732	Container stud
149740	Gasket for gravity container
149948	Flat sieve 20 mesh (packing unit 2 pieces)
156026	Pressure gauge 0 - 87 psi 50 mm, G 1/4
29918	Circlip for suction globe Spray-Mix, Vario Top Spray and Multi-Top

Spare parts

SATA® vario top spray

Part	Standard version	Stainless steel version
1	61192 Double diaphragm pump 1:1, coated version, material connection M 25 x 1.5, male thread, air inlet 1/4" (male thread), grounding cable	88641 Double diaphragm pump 1:1, stainless steel, material connection M 25 x 1.5 male thread, air inlet 1/4" (male thread), without grounding cable
2	24422 Material fine pressure regulator, cpl.	25338 Material fine pressure regulator, cpl., stainless steel
3	72918 Material connection for second spray gun, cpl. for material fine pressure regulator	57570 Material connection for second spray gun, stainless steel, cpl. for material fine pressure regulator
4	62232 Suction hose, cpl.	45047 Suction hose, cpl., connections stainless steel
5	73866 Suction pipe, cpl. with suction globe and sieve insert	74203 Suction pipe, cpl. stainless steel
6	79921 Suction pipe, cpl. with suction globe and sieve insert	80879 Suction pipe, cpl. stainless steel
7	74245 Sieve unit, mesh size 1.0, f. SATA VARIO top-spray, f. water borne paints	74237 Sieve unit, mesh size 0.5, f. SATA VARIO top-spray, f. water borne paints
8	41384 Threaded nipple 1/2" (male thread), galvanized	82941 Double nipple 1/2" male thread, stainless steel
9	41368 Angle G 1/2" (female thread), galvanized	56564 Angle 90°, stainless steel
10	82909 Conversion set for gravity container SATA Top-Spray	74211 Conversion kit for gravity flow container SATA VARIO top-spray, f. water borne paints
11	37986 Add-on kit gravity container PVC 6 l, cpl. with 3-way ball valve and holder	37226 Add-on kit gravity container PVC 6 l version for waterborne paint, cpl. with 3-way ball valve and holder



Errors, technical modifications and printing errors reserved.

Spare parts

SATA® vario top spray pumps

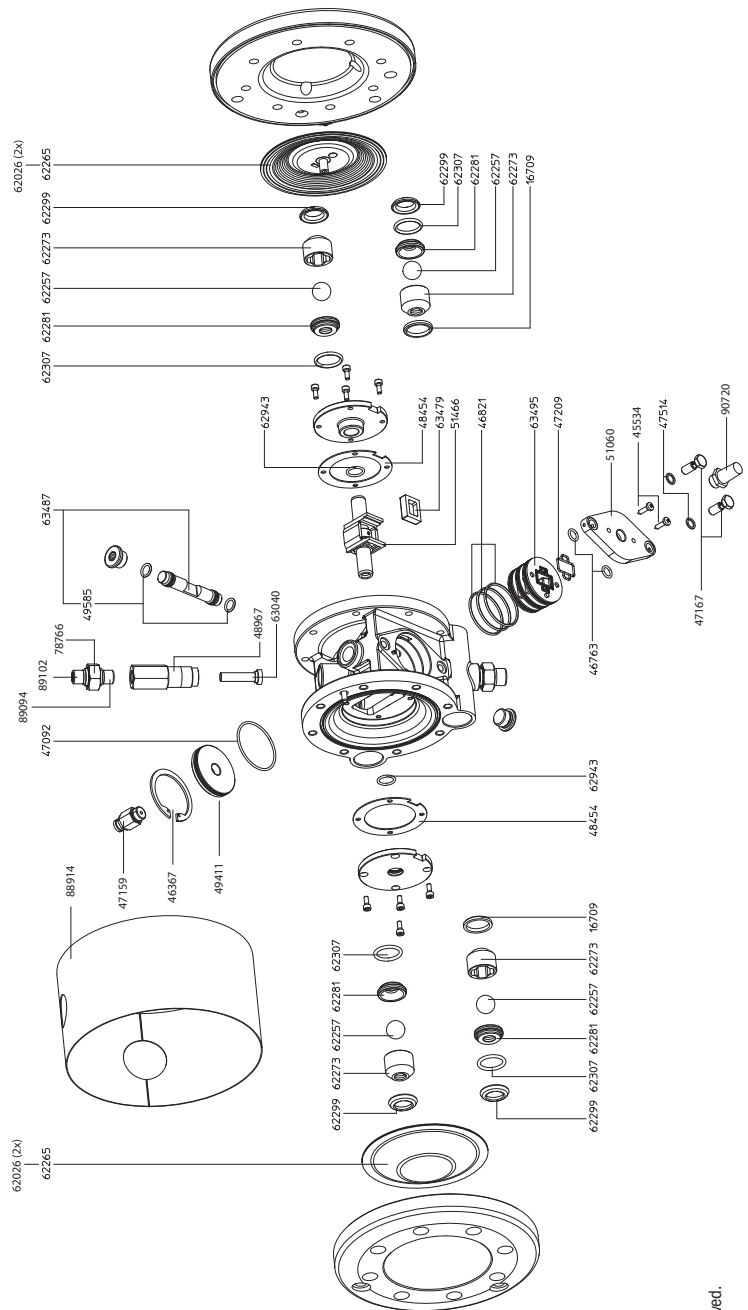
Kit

45195	Set of sealings, complete, for top spray double diaphragm pump	1
60012	Diaphragm repair kit for SATA vario top spray	2
60038	Control repair kit for SATA vario top spray	3
60228	Valve repair kit for SATA vario top spray	4
60301	Carrier rod repair kit for SATA vario top spray	5
60657	Carrier repair kit SATA vario top spray	6

We generally recommend using aforementioned seal and repair kits as well as exchanging all essential seals and components

Single components of the seal and repair kits

16709	Sealing for vario top spray industrial version	4
46763	O-ring 9 x 2 B for double diaphragm pump top spray	1 3 5
46821	O-ring 42 x 2 for double diaphragm pump top spray	1 3 5
47092	O-ring 48 x 2 for double diaphragm pump top spray	1
47209	Shape seal for double diaphragm pump top spray	1 3
47514	Sealing ring 8.2 x 11.4 x 1 for double diaphragm pump top spray	1 3 5
48454	Flat seal D 72 x T 1 for double diaphragm pump top spray	1 6
49585	O-ring 10 x 2 mm, made from Perbunan 10 shore	1
51466	Driving pin double diaphragm pump top spray	6
62257	Ball 18 mm for double diaphragm pump top spray	4
62265	Diaphragm complete D123 for SATA double diaphragm pump top spray	2
62273	Ball-bearing for double diaphragm pump top spray	4
62281	Valve seat D12 short for double diaphragm pump top spray	4
62299	Profile packing 17.2 x 28.2 x 5.4 for double diaphragm pump top spray	1 2 3 4 5 6
62307	O-ring 22 x 3 mm, FP 7010, for double diaphragm pump top spray	1 4
62943	O-ring 14 x 2 mm, Perbunan, for double diaphragm pump top spray	1 6
63479	Flat valve 24 x 19 mm, for SATA double diaphragm pump top spray	3
63487	Carrier rod D 13, 9L for SATA vario top spray, complete w/ O-ring 10.82 x 1.78	5
63495	Valve seal D 48 mm for SATA vario top spray double diaphragm pump	3



Errors, technical modifications and printing errors reserved.



Spare parts

Material Fine Pressure Regulator

7989

Ball tap (Teflon) G 3/8" (female thread)

19158

Pressure gauge 0-87 psi, 50 mm, g 1/4, scale line each at 1.45 psi

21998

Pressure plate

22376

Compression screw

37499

O-Ring

78766

Sleeve nut for ball valve

78774

Insert part for material fine pressure regulator SATA vario top spray

78824

Pressure spring for material fine pressure regulator SATA vario top spray

78832

Tappet for material fine pressure reducer Vario-Top-Spray

78915

Packing

80283

Diaphragm

80291

Plunger kit, cpl.,

156026

Pressure gauge 0 - 87 psi, 50 mm, G 1/4

149740

Gasket for gravity container

149948

Flat sieve 20 mesh (packing unit 2 pieces)

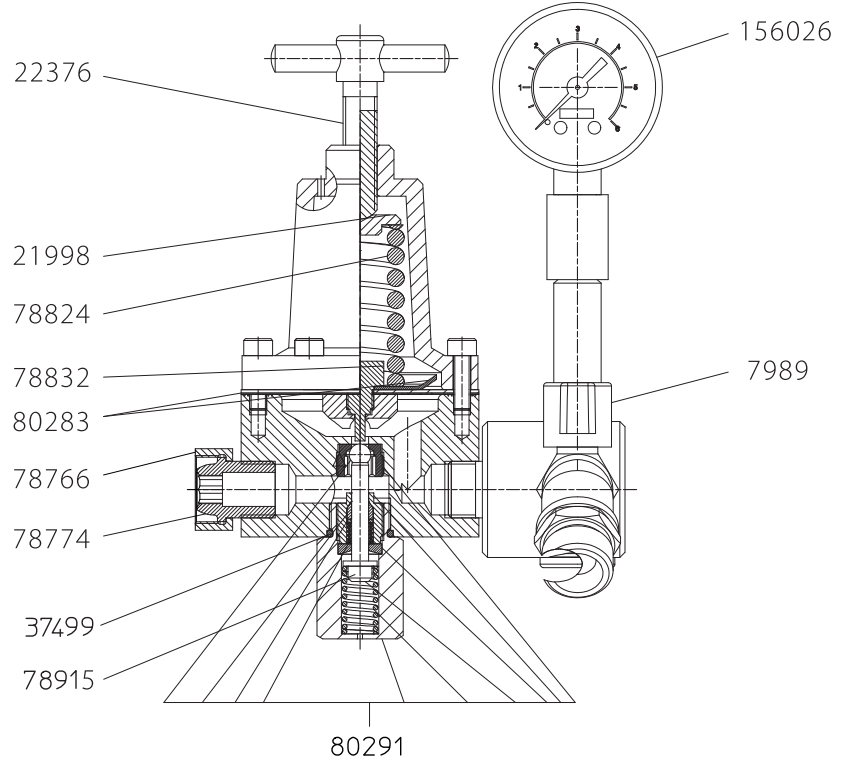
156026

Pressure gauge 0 - 87 psi, 50 mm, G 1/4

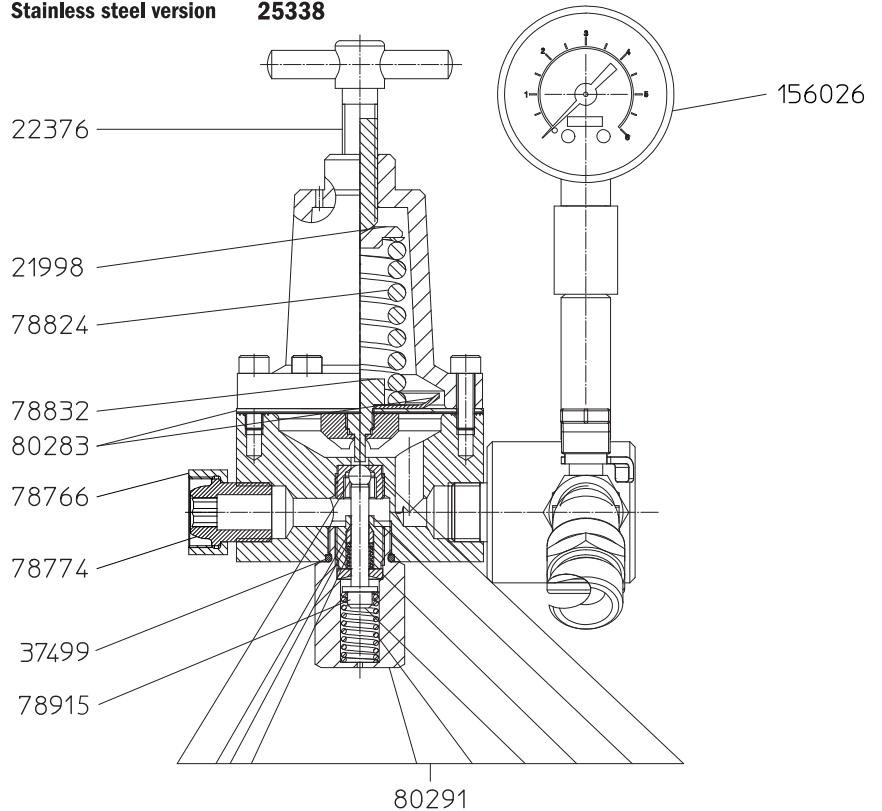


Errors, technical modifications and printing errors reserved.

Standard version 24422



Stainless steel version 25338



SATA® Quick Couplings

Individual components for the quick coupling system

6981 SATA HVLP female nipple - 5-pk Quick coupling nipple G 1/4 female thread



13656 SATA HVLP female nipple - Quick coupling nipple G 1/4 female thread



53942 SATA HVLP male nipple - Quick coupling nipple G 1/4 male thread



13599 SATA HVLP female QC - SATA quick coupling 100.14 G 1/4 female thread



13623 SATA HVLP male QC - Quick coupling 100.14 G 1/4 male thread



7237 Pack of 2 quick couplings, socket 9 mm, 2 quick coupling nipples G 1/4 female thread, 60 degrees cone.

13508 Nipple for SATA quick coupling 104/38 G 3/8 male thread



13557 Hose olive, 9 mm for air quick coupling





13581 SATA quick coupling 101.38 G 3/8 female thread










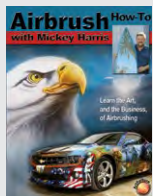
99895 SATA hose connection swivel



Dan-Am Company Products

Type of device	Fields of application/function	
 <p>Dan-Am Kneeler Stadium Seat Hosemate 155</p>	<ul style="list-style-type: none"> Handy padded Kneeler will work great for any job requiring you to kneel on hard surfaces Great for collision repair, mechanical jobs, washing or detailing vehicles, gardening, carpentry, construction Stadium seat works great for sitting, kneeling, and also floats with built in cup holders Hosemate keeps hoses and electrical cords from catching on tires, or use it to hang hoses and extension cords 	
 <p>Carbon Monoxide Monitors 156 – 157</p>	<ul style="list-style-type: none"> Carbon monoxide is an odorless, colorless, highly poisonous gas, keep your breathing air safe with our many monitor options Operating a monitor in the booth ensures grade D air quality for personal protection Many alarm options to choose from 	
 <p>Cabinets & Accessories 158</p>	<ul style="list-style-type: none"> Dan-Am offers a single and a double cabinet to store your valuable spray guns Additional gun holders available 	
 <p>Hoses 159 – 160</p>	<ul style="list-style-type: none"> For use with supplied air respirators and spray guns Silicone-free Flexible NIOSH approved 	
 <p>Demo Support and Cases 162– 163</p>	<ul style="list-style-type: none"> Safe place to store your SATA guns and accessories when you're on the go Durable, easy to transport 	
 <p>Dan-Am Air Vac 164</p>	<ul style="list-style-type: none"> Removes foreign objects from wet paint/clearcoat Eliminate dirt nibs, bugs, lint right after it lands Simply connects to your existing airline in the booth 	
 <p>DanAmAir 165</p>	<ul style="list-style-type: none"> Advanced Aluminum Air Piping System for compressed dry and clean air Easy to install yourself Measure and cut, push to connect 	
 <p>Paint Stands 166– 169</p>	<ul style="list-style-type: none"> Flexibility and versatility when painting Adjustable during use Saves time and money 	

Dan-Am Company Products

Type of device	Fields of application/function	
	Dan-Am Pressure Pots 170 – 171	<ul style="list-style-type: none"> For the application of larger amounts of paint High working speed and surface coverage Enhanced profit due to time saving efficiency
	Dan-Am Pressure Tanks 172 – 175	<ul style="list-style-type: none"> Quality line of pressure tanks available in 10, 20 and 40 liter For the application of larger amounts of paint High working speed and surface coverage Enhanced profit due to time saving efficiency
	Dan-Am Pumps 178 – 184	<ul style="list-style-type: none"> Quality line of pressure tanks available in 10, 20 and 40 liter For the application of larger amounts of paint High working speed and surface coverage Enhanced profit due to time saving efficiency
	Dan-Am 5 Gal Agitator Lid 185	<ul style="list-style-type: none"> Suitable for waterborne coatings Durable GAST air motor Complete range of speed variability
	SATA Apparel 186	<ul style="list-style-type: none"> Apparel for men, women and youth Comfortable and stylish SATA branded apparel visit www.satausagear.com
	Dan-Am Pro Paint Suits 187	<ul style="list-style-type: none"> Dan-Am Pro Series paint suits for men and women Expertly designed for fit and movement, with many quality features not seen in other paint suits High quality reusable paint suits
	Dan-Am Pro Stencils 188– 189	<ul style="list-style-type: none"> Flexibility and versatility when painting on curved or flat surfaces Easily cleaned with solvent or water, very durable Designed by artist Mickey Harris
	How-To DVDs and Books 190	<ul style="list-style-type: none"> Inspirational books and DVDs with step-by-step pictures and how-to directions Great for learning how to custom paint Learn from the Pros

Dan-Am Accessories

Dan-Am Kneeler

KNE0002

This handy padded Dan-Am Kneeler will work great for any job requiring you to kneel down on hard surfaces.

Extremely comfortable when working on.....

- Grated paint booth or concrete floors for masking in and painting vehicles
- Collision repair or mechanical jobs low on a vehicle
- Washing or detailing vehicles
- Gardening projects
- Carpentry projects including carpet laying, installing wooden floors, or installing trim
- Plumbing projects when working under cabinets

Very light weight, durable, comfortable, easy to clean with soap and water.

Does not break down in thinner or acetone when wiping off paint overspray.



Dan-Am Stadium Seat

SSBR1 single

The most comfortable stadium seat built.

- Comfort and softness
- Waterproof and floats
- Reverse side offers cup holders
- Light weight, just over 1 lb
- Easy cleaning, solvent resistant
- Built in handle, easy to carry

SSBR2 2 pk.



Dan-Am Hosemate

10102 pair

Designed to guide twisted hoses and electrical cords effortlessly around wheels, the Hosemate slips quickly and easily on any standard size tire. When painting or washing a vehicle the hose glides easily over the surface of the Hosemate. This means the painter can maneuver quickly and freely while applying costly time-sensitive coatings. It also reduces wear and tear on expensive hoses and saves prep and work time.

10101 single

The Hosemate has a multitude of uses. Use it for storing compressed air hoses, garden hoses, ropes, chains, or extension cords. It's not only a great accessory for the body shop, but it can be used around the home and on the farm. Using the Hosemate as a hanger prevents condensation in compressed air hoses. It also reduces the chance of accidents and keeps the work area neat and organized.



Carbon Monoxide Monitors

Ensures grade D air quality for personal protection

Technical data X767 CO Monitor:

Gas detected	CO in compressed air
Detection Principle	3 electrode electrochemical
Alarm	Preset to 10 ppm
Continuous lifetime operation	
1 year warranty	
Operating Temp	30 - 120 °F
Dimensions	4" x 6" x 3.5"
Weight	4.2 lbs



Carbon Monoxide Monitor Versions

X767-PLUS 110 volt AC Carbon Monoxide Monitor.

Alarm set at 10 ppm with an LCD display. Meets 29 CFR 1910.134 requirements for CO monitoring of compressed breathing air. Audible and visual alarms for high CO or sensor failure. RFI filtered from interference of cell phones, two-way radios, etc. LCD digital readout in 1 ppm increments with response time of 10 seconds to 95%. Proven reliable performance electrochemical sensor. Calibration recommended every 6 months. Remote alarm options available



Carbon Monoxide Monitor Accessories

X81-1231K Calibration kit for Carbon Monoxide Monitor

COCAL3 In Field Calibration Service

XA176 Standard 85 db remote alarm for Carbon Monoxide Monitor

XA176A Extra loud 100 db remote alarm for Carbon Monoxide Monitor

XA176B Extra loud 120 db air horn w/ regulator for Carbon Monoxide Monitor

Call for availability (this alarm only)

XA166 Siren alarm with strobe light

8025601 **Relay interface:** The relay box connects to your X767 alarm circuit jack to energize when a high CO level is present. The dry contacts provide a simple two-wire interface that can be easily adapted to third-party devices.

1124940 CO monitor/gauge manifold for 500 Line filter, threaded top and bottom 1/4" for mounting gauge and monitor

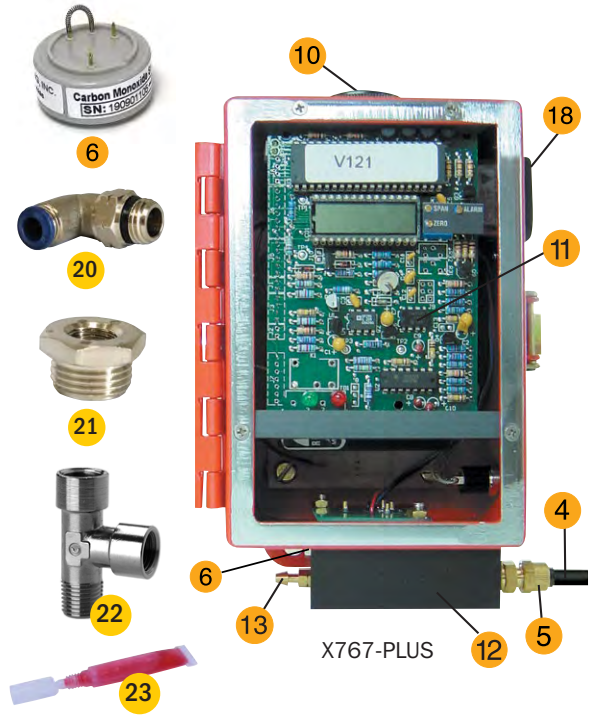


Errors, technical modifications and printing errors reserved.

Spare parts

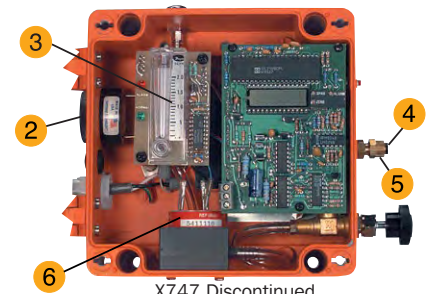
Carbon Monoxide Monitors

Part Number	Description	Key #	X747	X757	X758	X767
13623	Male coupling, 1/4"			X		
13656	Female nipple, 1/4"			X		
1816-MC	Male coupling, 1/2" Milton			X		
1817-MN	Male nipple, 1/2" Milton			X		
84798	Plug, brass hollow hex 1/2"			X		
X06-1105	Air Tubing (per foot)	4	X		X	X
X07-6122	O Ring, sensor		X	X		X
X10-0279	Case screw, X758	1			X	
X14-A259	Screwdriver guide bushing			X		
X16-0285K	Bushing, 1/2" x 1/8", brass					X
X17-0001	Air inlet fitting, 1/8" MPT x 1/4" tube	5				X
X17-0282K	Calibration gas inlet	13		X	X	X
X17-0285	Flow restrictor, porous metal	7		X		X
X17-6251K	Inlet fitting, straight w/porous plug	19			X	
X20-0110K	Case, calibration kit	14				X
X31-0003	Flow meter, replacement	3	X			
X35-6015K	Flow block	12				X
X43-0940	Switch, battery on/off					X
X45-2401K	Plug, repeater buzzer					X
X45-8012K	Battery housing, w/holder					X
X45-8013K	Battery holder					X
X47-1012K	Power cord (X767-PLUS only)	18				X
X47-4012K	Sensor wiring harness, X747		X			
X47-4120K	Sensor cable w/circuit board				X	X
X47-4156	Cord, 50' Buzzer extension					
X52-1020	Alarm buzzer	2	X			
X52-1051K	Alarm buzzer w/18' cable for remote breathing unit					X
X52-A279	Alarm Buzzer w/cable and plug	10				X
X57-A279	Circuit board, main	11				X
X65-2400K	Cell, replacement CO sensor	6	X	X	X	X
X81-0062K	Carbon Monoxide test gas cylinder, 10ppm			X	X	
X81-0065K	Carbon Monoxide test gas cylinder, 100ppm	17	X			X
X81-0078K	Nitrogen test gas cylinder 100%	15	X			X
X81-1001K	Regulator Valve	16	X	X	X	X
X81-1051K	Calibration tube, w/monitor connection		X			
X81-1052K	Calibration tube, w/flow meter connection			X	X	X
X81-1230K	Calibration kit, X747 Carbon Monoxide monitor		X			
X81-1231K	Calibration kit, X767 Carbon Monoxide monitor					X
X81-1235K	Calibration kit, X757 & X758 CO monitor			X	X	
X82-0005K	Calibration screwdriver, jewelers			X	X	
X82-0091	Calibration screwdriver, dbl. ended		X			X
677027	Bushing, 1/2" x 1/4"	21				X
677077	1/2" Tee Fitting	22				X
13102	Thread locking compound	23				X
0443076	Push-Loc fitting, 1/4" tube x 1/4" male thread swivel elbow	20				X

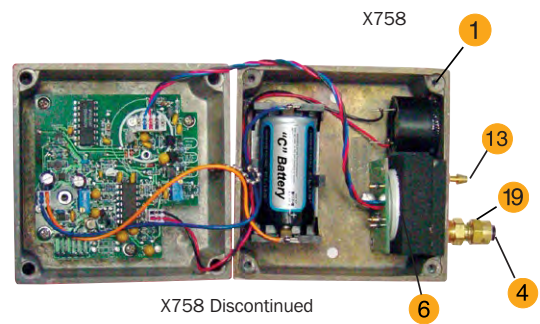


Calibration Kit

X747

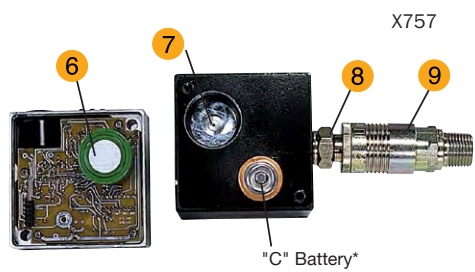


X747 Discontinued and Replaced with X767



X758 Discontinued

*PURCHASE BATTERIES LOCALLY



X757 Discontinued

"C" Battery*

Errors, technical modifications and printing errors reserved.

Dan-Am Accessories

Gun Cabinets

95 The Dan-Am wall mounted cabinet is the answer for storing your valuable investment in spray guns and other important accessories. Large double door lockable gun cabinet, 20 gauge steel
Storage: 1 shelf, locker, 24 spray gun holders
Measurements: 46 in w x 35 in h x 12 in d / 116 cm x 89 cm x 30.5 cm



Must be shipped by truck, please call for a freight quote.

FREIGHT CHARGES NOT INCLUDED

96 Small single lockable gun cabinet
Material: 20 gauge steel
Storage: 1 shelf and built-in riveted holders for 16 spray guns
Measurements: 25 in w x 35 in h x 12 in d
Store your valuable spray guns and other important accessories



Gun Holders

9895 Dan-Am 8 gun holder, suitable for wall mounting or to bench with optional accessories 9895B. Can retrofit to SATA single door and dbl door cabinets. Compact, holds 8 guns, easy to identify nozzle size, gun model.



9895A Dan-Am 8 gun holder can be secured to a bench or table top
Compact, holds 8 guns, easy to identify nozzle size/gun model



9895B Can be added to 9895 to turn it into a bench mount gun holder.



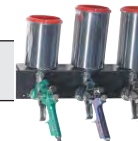
9890-M Gun holder for SATAmijet 3000 B HVLP
Suitable for wall mounting, mounting in cabinet or mounting on a 9898 gun holder



9898-3 Wall mounted 3 gun holder

9898-4 Wall mounted 4 gun holder

9898-6 2 x wall mounted 3 gun holder, holds 6 guns total



9890 Dan-Am Company Bench Mounted Gravity Gun Holder With Built-in Strainer Holder
Holds gravity gun perfectly straight for easy straining/refilling. Anodized black aluminum construction. Special plastic channel guide protects air cap horns. Screws to workbench.



9890-A Special portable version with heavy metal base for on-site work (shown)

9890-B Metal base only

Gun holders to add on to Dan-Am cabinets manufactured prior to 2021.

9898-3A Cabinet three (3) gun holder shelf

9898-4 Cabinet four (4) gun holder shelf

SATA gun holders

40188 SATA Wall or Bench Mount Heavy Duty Gravity Gun Holder. Red solvent resistant coating. Also works great for the SATA minijet. Gravity cup is held in the vertical position for easy refilling. Complete with mounting screws.



9886 SATA universal wall mount gravity gun holder.
This type may be screwed to the wall at various locations for convenient storage.



Dan-Am Electric Drain Valve

640525 (1/4") The EDV has been designed for general purpose applications. The unit is suited for all compressed air system components (after-coolers, dryers, filters, pressure vessels and piping), regardless of their size or capacity—simply adjust the interval and discharge times to suit the particular compressed air system. FPM seals for systems where synthetic lubricants are used are standard. 115 volt. 1 year warranty



Errors, technical modifications and printing errors reserved.

Hoses

SATA Black Breathing Hose - SATA air vision 5000 silicone free breathing air hose

For use with supplied air respirators and spray guns 3/8", 145 psi working pressure available with QC connection. Special, silicone-free hose core, flexible, intermediate layer in "canvas" style synthetic cord for increased pressure resistance. NIOSH approved.

679010	10 ft
679015	15 ft
679020	20 ft
679025	25 ft
679035	35 ft
679050	50 ft
679075	75 ft
679100	100 ft



Premo Flex Red Breathing Hose

Silicone Free Air Hoses - for use with supplied air respirators and spray guns, 3/8" Premo Flex non-gassing 250 psi working pressure avail. w/QC connection or w/brass 1/4" male thread

	Air Vision 5000 Coupler & Nipple NIOSH approved	Vision 2000 & air star C 1/4" male thread and coupler NIOSH approved	Hose Only with 1/4" BSP Male Thread	while supplies last
10 ft / 3 m Premo Flex breathing hose - 3/8 in ID	676010	-	678010	
15 ft / 4.5 m Premo Flex breathing hose - 3/8 in ID	676015	-	678015	
20 ft / 6 m Premo Flex breathing hose - 3/8 in ID	676020	-	678020	
25 ft / 7.6 m Premo Flex breathing hose - 3/8 in ID	676025	3366	678025	
35 ft / 10.7 m Premo Flex breathing hose - 3/8 in ID	676035	4635	678035	
50 ft / 15.2 m Premo Flex breathing hose - 3/8 in ID	676050	6633	678050	
75 ft / 22.8 m Premo Flex breathing hose - 3/8 in ID	676075	-	678075	
100 ft / 30.5 m Premo Flex breathing hose - 3/8 in ID	676100	-	678100	
52 inch / 1.3m whip hose			678004	

SATA air hoses, mounted

13870

SATA air hose, blue, 9mm, 1.2 m with quick coupling, red and nipple



653090

SATA air hose, blue, 9mm, 10 m with quick coupling, red and nipple







Errors, technical modifications and printing errors reserved.


▶ See more Black hose product details on page 111

Dan-Am Hoses




High Quality Combination Hoses for 2 - 40 I Pressure Tanks and 1:1 Pumps

675206	6 ft dual hose - 3/8" air hose, 1/4" material hose, female fittings	
675215	15 ft dual hose - 3/8" air hose, 1/4" material hose, female fittings	
675225	25 ft dual hose - 3/8" air hose, 1/4" material hose, female fittings	
675250	50 ft dual hose - 3/8" air hose, 1/4" material hose, female fittings	
675406	6 ft dual hose - 3/8" air hose, 3/8" material hose, female fittings	
675415	15 ft dual hose - 3/8" air hose, 3/8" material hose, female fittings	
675425	25 ft dual hose - 3/8" air hose, 3/8" material hose, female fittings	
675450	50 ft dual hose - 3/8" air hose, 3/8" material hose, female fittings	
675475	75 ft dual hose - 3/8" air hose, 3/8" material hose, female fittings	
675510	10 ft combination hose for SATAminijet 3000 PT, 1/4" air hose, 6mm material tubing, female fittings (SATAminijet 3000 PT only)	
675706	6 ft combination hose for SATAminijet 1000 K (only), 1/4" air hose, 6mm material tubing, female fittings	
675710	10 ft combination hose for SATAminijet 1000 K (only), 1/4" air hose, 6mm material tubing, female fittings	
675715	15 ft combination hose for SATAminijet 1000 K (only), 1/4" air hose, 6mm material tubing, female fittings	
675725	25 ft combination hose for SATAminijet 1000 K (only), 1/4" air hose, 6mm material tubing, female fittings	

High Quality Combination Hoses for High Pressure Pumps

640225	25 ft / 7.6 m dual hose - 1/4" air hose, 3/16" material hose, female fittings	
640250	50 ft / 15.2 m dual hose - 1/4" air hose, 3/16" material hose, female fittings	

Air and Combination Hoses for SATAminijet 3000 B, SATAgraph 1, 2, 3 & 4, SATAjet 20 B

32987	9.8 ft / 3 m x 4 mm SATA PVC compressed air hose for SATAgraph and SATAjet 20 B	
S040	6 ft braided hose, 1/8" X 1/4"	
S041	10 foot braided air hose 1/8" X 1/4",	
S042	6 ft braided hose w/moisture trap	
S045	8 ft braided hose w/quick disconnect (shown)	
54353	6.5 ft / 2 m clear SATA PVC compressed air hose for SATAminijet and SATA 20 B. 6 ID x 1/4 female fittings For fittings and couplers please see page 150 * Custom hose lengths available - Please call for quote*	

Errors, technical modifications and printing errors reserved.

Dan-Am Mini Muscle Air compressor

Technical Details:

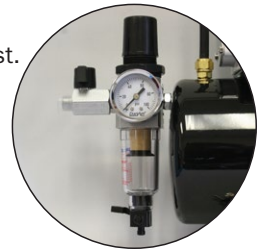
Air Flow:	1.48 CFM
Max pressure:	78 psi
Storage tank:	.92 gal
Power rating:	120 V, 125 W, 1/6 HP
Weight:	17 1/2 lbs
Measurements: L x W x H	17" x 6" x 12.5"



677600 Dan-Am Mini Muscle

The Dan-Am mini compressor is a rugged and compact portable unit that is ideal for the airbrush artist.

The super quiet 1/6 HP motor powers the twin piston oil-less pump which delivers 1.5 CFM at a maximum pressure of 78 PSI. A regulator with gauge and moisture trap is attached for precise adjustment and clean compressed air. 120 volt with an auto shutoff feature and a nearly 1 gallon storage tank which lessens heat-related moisture build-up, reduces running time, and minimizes motor wear.



Spray Gun Cases



SATA Storage/Carrying Case

1079137 SATAjet X 5500 Case with foam insert

SATA case, Umbra. (18.5" x 14.5" x 7.25") High impact injection molded plastic case to carry SATAjet X 5500 for jobber salesman, sales rep., or the painter. Compartments for 5 SATA spray guns with SATA adam 2 docks attached. Other compartments for SATA accessories, nozzle sets. Press and pull latches keep the lid closed. Can be secured with a padlock (not included). The case is sold EMPTY. Specify how to equip it. (Comes with foam insert 1086976)



1086976 Foam insert, black for 5 spray guns, includes cover insert (replacement for gun case #1079137)

1080142 SATAjet X 5500 Case with foam insert

SATA case, Umbra. (11.75" x 9" x 5.125") High impact injection molded plastic case to carry SATAjet X 5500 for jobber salesman, sales rep., or the painter. Compartments for 2 SATA spray guns with SATA adam 2 docks attached. Other compartments for SATA accessories, nozzle sets. Press and pull latches keep the lid closed. Can be secured with a padlock (not included). The case is sold EMPTY. Specify how to equip it. (Comes with foam insert 1056268)



1056268 Foam insert, black for 2 spray guns, includes cover insert (replacement for gun case #1080142)

Sales and Demo Support

Salesman Ultimate Demo Carrying Case

High-impact Hardigg Storm Case, with retractable pop-up handle and wheels that make it easy to transport. It is watertight, has three comfort grip carrying handles and features press and pull latches. For automotive spray guns and accessories. This attractive case is black and weighs 19 lbs empty. Measures 19.7" W x 24.6" L x 11.7" H. The SATA Hardigg demo case is sold EMPTY, you specify how to equip it.

IM2720 Auto Insert



Salesman Ultimate Supreme Demo Carrying Case

IM2750 Demo case comes with pick and pluck cubed foam insert

High-impact Hardigg Storm Case, with retractable pop-up handle and wheels that make it easy to transport. It is watertight, has three comfort grip carrying handles and features press and pull latches. This attractive case is black and weighs 22 lbs with foam. Measures 19.7" W x 24.6" L x 14.25" H.

Equipment not included, the SATA Hardigg demo case is sold EMPTY, you specify how to equip it. Call for special order insert options and pricing.



Aluminum Storage/Carrying Case

174128 Aluminum case with foam insert

Compact aluminum case for jobber salesman, sales rep., or the painter. Compartments for up to 5 SATA spray guns with Sata Adam 2 docks attached, and gravity paint cups. Other compartments for SATA accessories. Locking latch type case with black handle.

Overall size measures 18 W x 13½ D x 6 H. The aluminum case is sold EMPTY. Specify how to equip it.



Storage/Carrying Case

630100 Case with foam insert

High impact injection molded plastic case for jobber salesman, sales rep., or the painter. Compartments for up to 5 SATA spray guns with SATA Adam 2 docks attached, and gravity paint cups. Other compartments for SATA accessories. Press and pull latches keep the lid closed. Can be secured with a padlock (not included). Overall size measures 18.5 W x 13½ D x 7 H. The case is sold EMPTY. Specify how to equip it.



630100B Foam insert only

120527 SATA single gun carrying case

Molded plastic. Compartments for 1 spray gun, SATA adam, paint cups, tools, accessories. 10.75" x 13.5" x 4.75"



1056565 SATA gun carrying case, black

Black gun case with SATA logo, inserts for two spray guns. 13.75" x 9" x 3.5"



Dan-Am Air Vac



Kit Includes:	quantity
DanAm Air Vac w/ball valve	1
4' suction hose w/tip	1
Tips, clear vacuum	12
Dropper	1

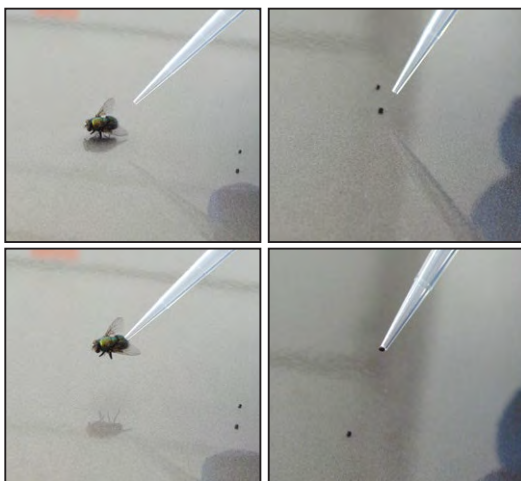


DanAm Air Vac

DAA1001K DanAm Air Vac removes foreign objects from wet paint/clearcoat. Eliminate dirt nibs, bugs, lint, hair or other airborne debris right after it lands.
 The DAA Vac simply connects to your existing airline in the booth. Open the valve and the air creates a vacuum through the tool. Use the fine clear disposable tips to remove the debris from the wet paint/clearcoat, and use the disposable dropper to put a drop of paint/clearcoat back into the void. The paint/clearcoat will melt into the wet surface and you may have very light sanding and polish for perfection, if any at all.

Parts for DanAm Air Vac

Position	Part No.	Description
1	DAA1001K	DanAm Air Vac complete
2	DAA1002T	Clear tips, disposable, 20 pk
3	DAA1003H	Black suction hose, 4'
4	DAA1004D	Dropper, disposable, 5 pk
5	DAA1005V	Ball valve
6	DAA1006BT	Tip, black hose, ea



Errors, technical modifications and printing errors reserved.



THIS IS COST EFFICIENT



DanAmAir compressed air
aluminum piping system

*Installs six times faster
Quick connections – no threading
or soldering
No special tooling required*

DanAm Air's benefits;

- Energy efficient
- Lower installation costs
- Push-to-connect technology
- Immediate pressurization
- Removable and reusable
- Modular design
- No corrosion
- Leak-free guarantee
- Full bore design
- 1/2" - 6" pipe sizes

For the professional, home, agriculture shops, or anywhere you need a clean, efficient air supply

DanAmAir is a fast, flexible and easy to modify aluminum pipe system for compressed air in any shop or garage.

DanAmAir components are reusable and interchangeable, which enables immediate and easy layout modifications. Unlike the performance of steel or copper, which degrades over time due to corrosion, DAA provides clean air quality with optimum flow rate performance.

DAA also offers significant savings on installation, maintenance and operating costs when compared to traditional pipe. The quick connections eliminate the need to thread, solder or glue pipe. DanAmAir's aluminum pipe system also significantly reduces plant energy costs by increasing efficiency, reducing pressure drops and eliminating leaks.

DanAmAir[®]

DanAmAir is Advanced Air Piping System for compressed dry and clean air.

For a FREE quote call: 800-533-8016 • www.DanAmAir.com



Easy-Flex Panel / Paint Stand

Save Time, Money, and Work with Easy Flex

The FLEXIBLE stand was introduced over 20 years ago with quality, stability and flexibility in mind with nothing left to chance. Approved and used by several car manufacturers, the FLEXIBLE paint stand saves time, money and makes the painters life easier. Virtually any panel may be painted inside and out in one operation.

Four flexible hook holders ensure a positive grip on the panel. The panel may be rotated to any angle up to nearly 360 degrees. No need to mask and unmask the car making the stand even more economical. Both sides of the panel may be primed or painted. When finished, the stand with the mounted panel can be baked - not the entire car. The FLEXIBLE stand is adjustable from 35 to 55 inches in height. Large, heavy-duty wheels make the stand easy to move about.

Several accessories are available including the Trim and Spoiler kit that allows threaded items to be mounted. Or with the Snap grip accessory, the painter can hang anything - and rotate it. The FLEXIBLE stand with wheels includes horizontal bar, two vertical bars, two vertical extensions, clamps and four mounting hooks. The stand is made of Electro-Galvanized steel and weighs slightly more than 26 lbs and holds up to 220 lbs.



MultiFlex I

EF190 Flexibility/Versatility
 Pivoting Multi-Directional Bumper Positioning. Adjustable to nearly 360 degrees No pin locking
 Adjusts Vertically/Horizontally to fit any bumper of any size/shape etc
 5 Securing Options: Vice Grip & Support Plate · Vice Grip · Steel Wire · Strip/Tie Wrap · Nut & Bolt
 Sets up in a few seconds - Maximizing efficiency and workflow
 Adjustable during use, Entire Repair Process can be done with Bumper on Stand
 Can be used for smaller parts as well as Bumpers - using our small parts attachments
Like nothing else available! The Most Flexible, Versatile and Efficient Bumper Stand Anywhere!



MultiFlex II

EF150 Flexibility/Versatility
 Any Bumper Position to nearly 360 degrees
 Moves one handed · No pin locking · Stops and holds anywhere you need!
 Adjusts Vertically/Horizontally to fit any Bumper of any size/shape etc
 Quick Securing using Vice Grips - increasing efficiency and maximizing workflow
 Set up in a few seconds
 Can be used for smaller parts as well as Bumpers - using our small parts attachments
Adjustable during use, entire repair process can be done using stand
More Flexible, Versatile and Efficient than any competing bumper stand in the US Market!



Easy Flex Paint Stand

EF110 Flexibility/Versatility
 Any panel position nearly 360 degrees: Moves one handed · No pin locking
 Stops and holds anywhere you need!
 Adjusts Vertically/Horizontally to fit any panel of any size/shape etc
Any Panel and most bumpers - Really Universal!
 No need for additional stands for doors, hoods, or fenders, this takes them all!
 Unless a shop does a serious amount of bumpers this is the only stand they will need
 Can be used for smaller parts as well as panels - using our small parts attachments
Adjustable during use, entire repair process can be done using stand only
The Most Flexible, Versatile and Efficient Universal Panel Stand Anywhere!

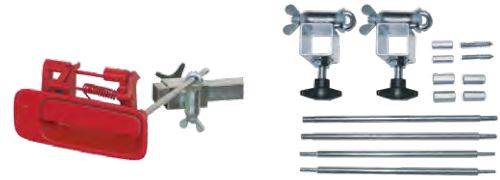


Errors, technical modifications and printing errors reserved.

EASY-FLEX Panel /Paint Stand

Accessories for Easy Flex Paint Stand

EF200 **Trim and Spoiler Kit**
Includes 4 threaded rods for holding threaded accessories such as spoilers, mirrors, door handles etc, thread adapters and two mounting clamps.



EF215 **Squeeze-out Tension Clamp Kit**
Spring loaded pressure clamp spreads open to hold parts from the inside. Includes mounting clamp. Excellent for helmets!



EF230 **Hook, extra long, 7"**



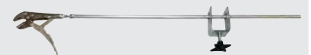
EF250 **Motorcycle Tank Kit**
U-shaped hanger with outside lip, grips tank through the filler opening. A threaded eyebolt with counter nut locks gas tank hanger securely for easy painting. Kit includes a 16 1/2" extension bar



EF260 **Wheel Rim Holder**
Cone shaped design accommodates most any size wheel. The wheel holder mounts on the horizontal bar and locked down. Swivels 180°



EF270 **Locking pliers kit** for securely fastening bumpers or other objects



EF275 **Snapgrip Kit**
Snapgrip mounted on rod firmly holds smaller items in place. Includes mounting clamp.



EF2300 **Xmas tree paint stand only (5 rod holder)**
Used to mount 5 different mounting brackets that hold small parts for painting at one time

EF2400 **Xmas tree paint stand with 5 holders**
3) EF215 Squeeze-out Tension Clamps
2) EF275 Snapgrips



EF2303 **Xmas tree paint stand only, (3 rod holder)**
Used to mount 3 different mounting brackets that hold small parts for painting at one time

EF2403 **Xmas tree paint stand with 3 holders**
1) EF215 Squeeze-out Tension Clamp
2) EF275 Snapgrips



Spare parts EF110 / EF150 / EF190 EASY-FLEX panel /paint stand

SPRAY GUNS

CUP SYSTEMS

BREATHING PROTECTION

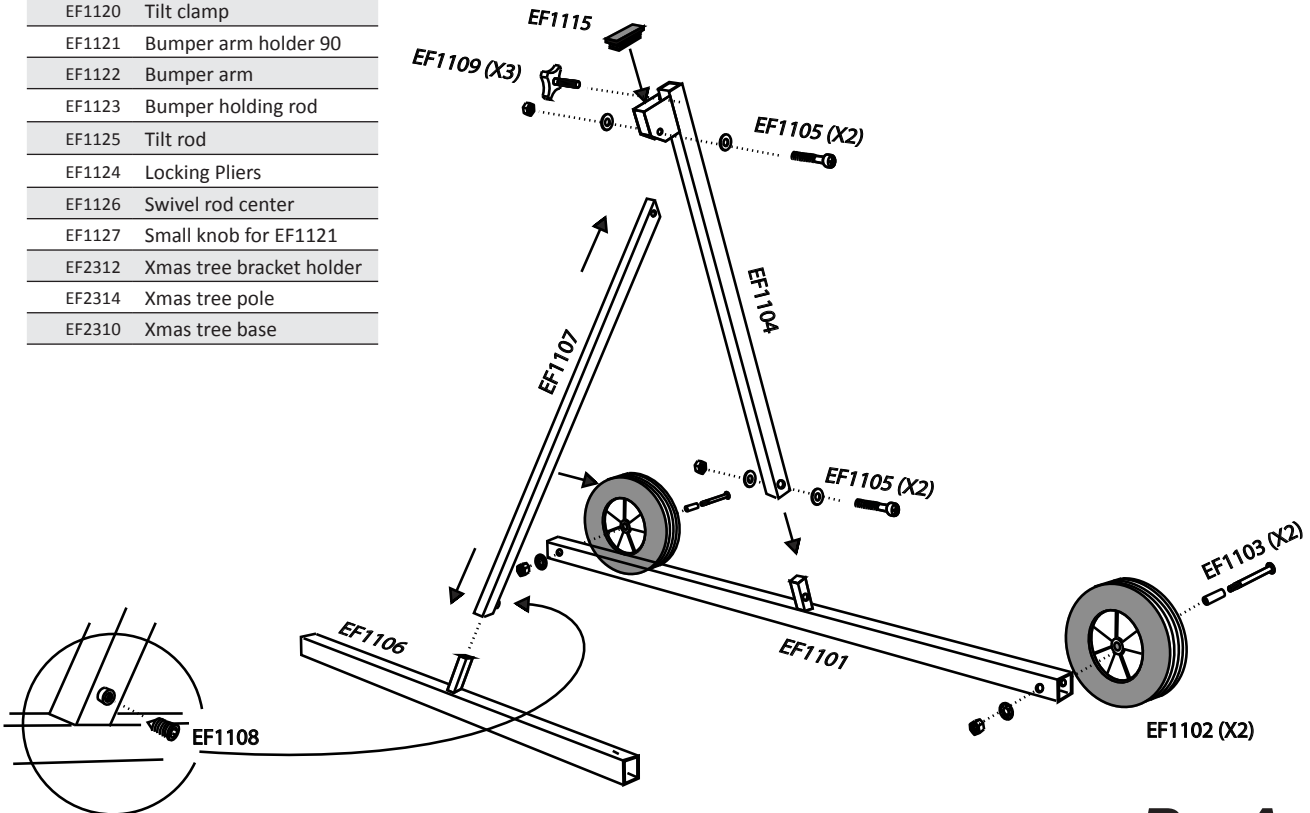
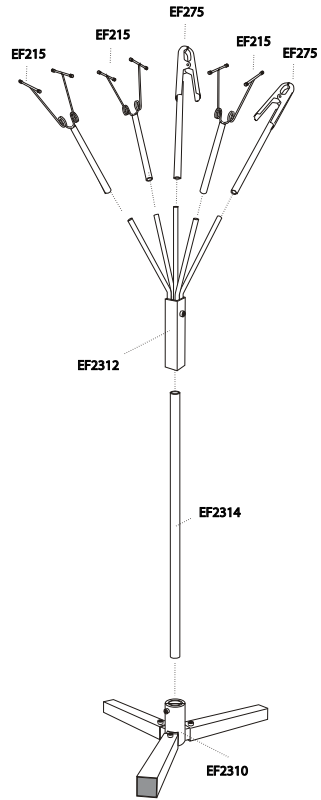
FILTER TECHNOLOGY

ACCESSORIES

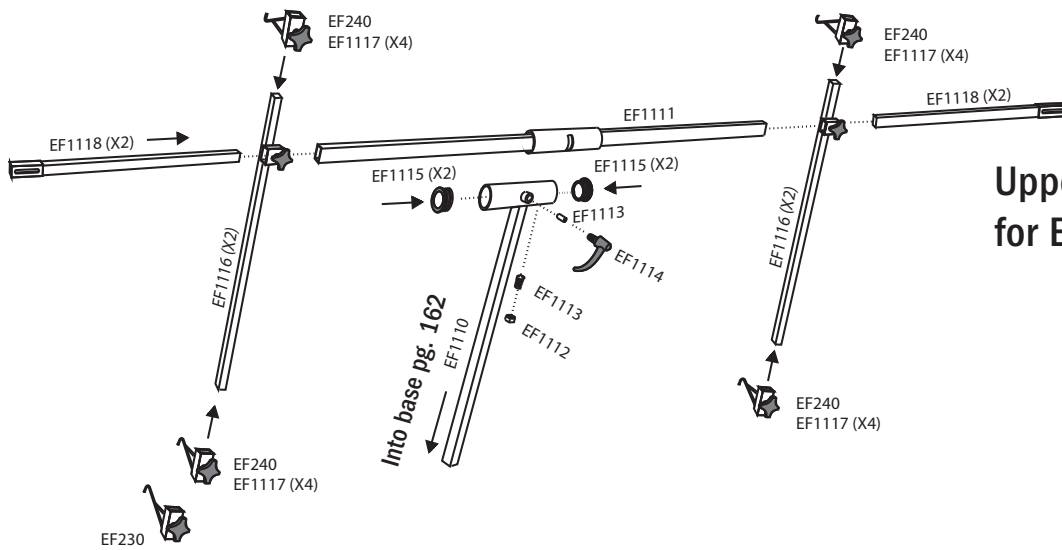
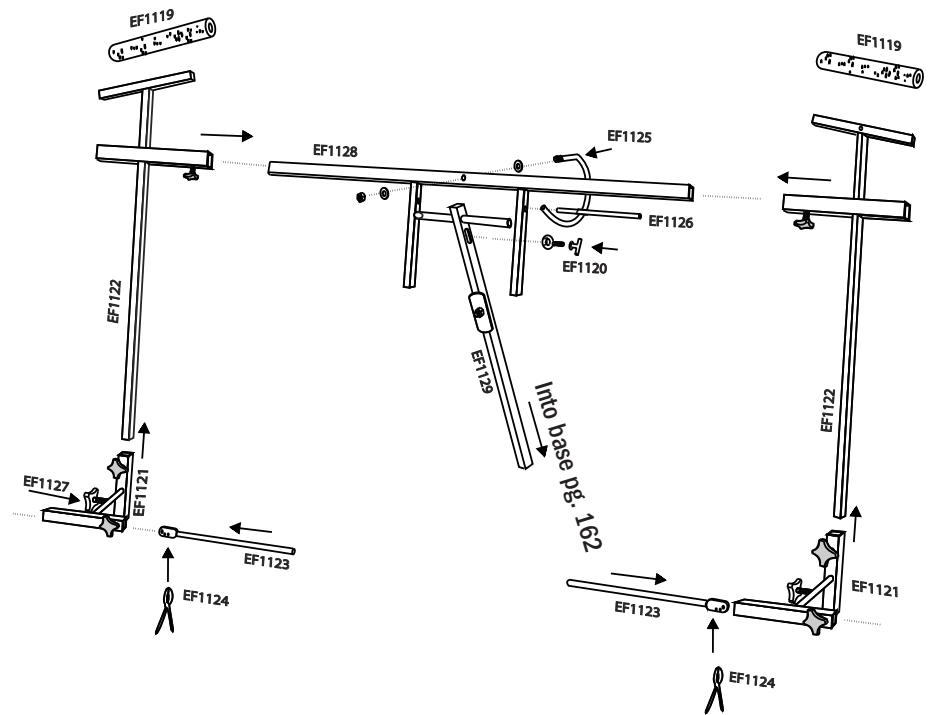
DAN-AM COMPANY

EF150A	Bumper arm kit (x2) Convert 110 to 150
EF230	7" extra long hook
EF270	Snap grip kit
EF215	Squeeze out clamp
EF240	Hook (single part)
EF275	Snapgrip kit
EF1101	Wheel Leg
EF1102	Wheels (2)
EF1103	Wheel Bolts (2)
EF1104	Leg Brace
EF1105	Frame Bolts (2)
EF1106	Leg
EF1107	Wheel Leg Brace
EF1108	Set Screws (2)
EF1109	Knob (3)
EF1110	Height Bar
EF1111	Cross Bar
EF1112	Counter Nut
EF1113	Brass Plug
EF1114	Locking Knob
EF1115	Cross Bar seals (2), End plug (1)
EF1116	Tool Holder (2)
EF1117	Hooks (4) of EF240
EF1118	Extensions (2) optional for EF150 or EF190
EF1119	Bumper pad (x2)
EF1120	Tilt clamp
EF1121	Bumper arm holder 90
EF1122	Bumper arm
EF1123	Bumper holding rod
EF1125	Tilt rod
EF1124	Locking Pliers
EF1126	Swivel rod center
EF1127	Small knob for EF1121
EF2312	Xmas tree bracket holder
EF2314	Xmas tree pole
EF2310	Xmas tree base

Base Unit for EF110/EF150/EF190

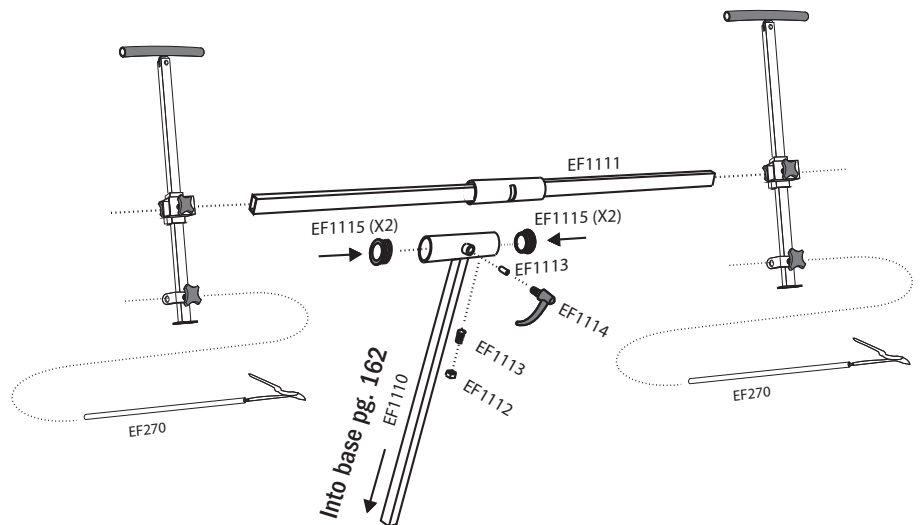


Upper Unit for EF190 Multiflex I



Upper Unit for EF110

Upper Unit for EF150 Multiflex II



Dan-Am Pressure Pots

Technical data:	Std Version	SS Version
Max Cup Pressure	50 psi	50 psi
Max Operating Pressure	35 psi	35 psi
Overall Height	17 3/4"	19"
Base Diameter	5 1/8"	5 1/8"
Air Inlet	1/4 NPS male	1/4 NPS male
Air Outlet	1/4 NPS male	1/4 NPS male
Material Outlet	3/8 NPS male	3/8 NPS male
Fluid Capacity	2.1 qt/2 Liter	2.1 qt/2 Liter
Weight	3 lbs 14 oz	5 lbs 8 oz



2.0L pressure pot - Aluminum

670200 Dan-Am 2 liter aluminum pressure pot, complete with deck, regulator and tank

2.0L pressure pot - Stainless Steel

670400 Dan-Am 2 liter stainless steel pot, complete with deck, regulator and tank

Accessories

5868 2-Liter Shoulder Harness
Special shoulder harness and waist belt holds and stabilizes the 2-liter pressure tank. It allows hands free work by the painter



13920 Waist Belt Only

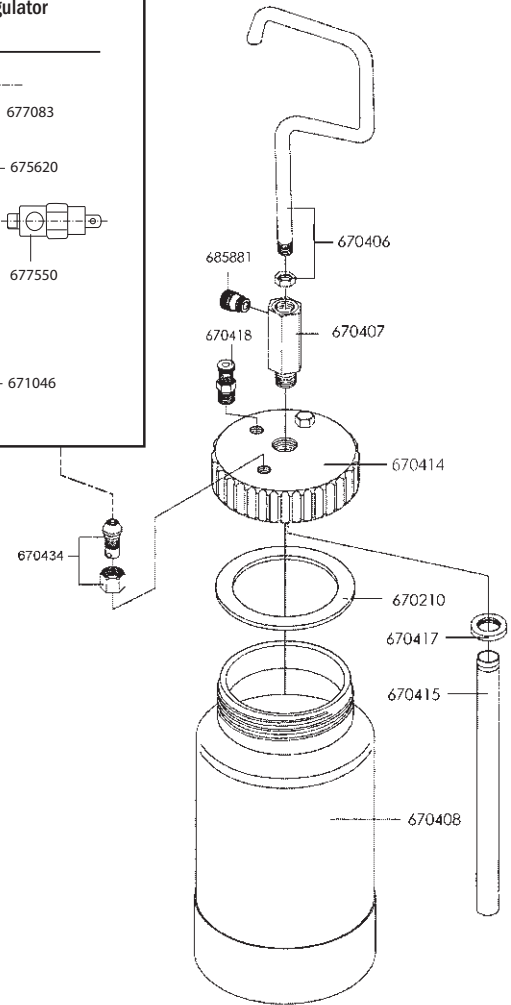
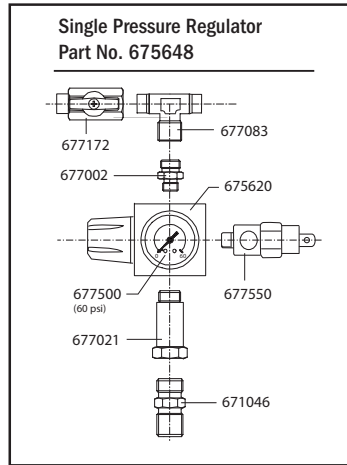
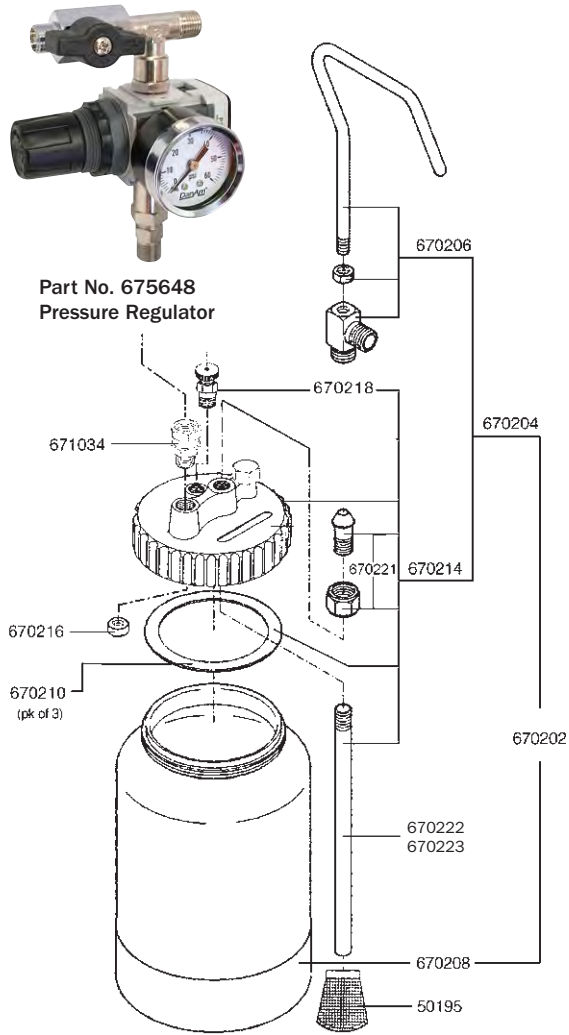
▶ 675206 6 ft hose for 1000 K and 3000 K on page 160

2.0L Aluminum Pressure tank w/SATA Spray gun and 6 ft dual hose

Spray gun/Nozzle size	.05	0.8	1.0	1.1	1.2	1.3	Specify different nozzle
SATAjet 3000 K HVLP	—	670297	670296	—	670298	—	670296
SATAjet 3000 K RP	—	670293	—	670294	—	670295	670294
SATAjet 1000 K HVLP	—	670260	670261	—	670262	—	670260
SATAjet 1000 K RP	—	670265	—	670266	—	670267	670265
SATAminijet 1000 K HVLP	670270	670271	670272	—	670273	—	
SATAminijet 1000 K RP	670275	670276	670277	—	670278	—	

Includes: 1) Spray gun, 1) 670200, 2.0L aluminum pressure pot, 1) Stainless steel paint pipe, 1) 6ft dual hose

Spare Parts Dan-Am Pressure Pots



Spare parts

2.0L Pot Aluminum 670200

50195	Sieve, pk of 2 (optional)
670202	Pot complete w/o regulator
670204	Deck complete w/o regulator
670206	Material outlet/handle assem.
670208	Pressure cup, 2 liter
670210	Deck gasket, pk of 3
670214	Deck Assembly
670216	Check valve insert (optional)
670218	Pressure release valve
670219	Viton O-ring for 670218
670221	Material outlet fitting
670222	Brass 11mm outside diameter
670223	Stainless 13mm outside diameter
671046	Check valve
675620	Regulator body, 1/4"
677002	Male hex nipple, 1/4"
677021	Extension, 1/4"
677062	Street elbow, 1/8"
677063	Street elbow, 1/4"
677083	Tee fitting, 1/4"
677172	Mini ball valve, 1/4"
677500	Gauge, 1-1/2", 60 psi
677550	Over pressure valve, 35 psi
675648	Regulator assembly, complete

*Use for pots with serial number above 2-00001

Spare parts

2.0L Pot SS 670400

670400	Pressure pot cpl., w/regulator
670406	Handle w/nut
670407	Material outlet
670408	Tank only
670414	Deck only
670415	Fluid pick-up tube
670417	Nut, fluid pick-up tube
670418	Pressure release valve
670430	Regulator assembly, complete
670434	Air inlet fitting
671046	Check valve
671046	Check valve, 1/4"
671050	Regulator repair kit
675620	Regulator body, 1/4"
675648	Regulator assembly, complete
677002	Male hex nipple, 1/4"
677021	Extension, 1/4"
677083	Tee fitting, 1/4"
677172	Mini ball valve, 1/4"
677500	Gauge, 1-1/2", 60 psi
675648	Regulator assembly, complete
685881	Material outlet fitting

Dan-Am 10 - 40 Pressure Tanks

Dan-Am Company offers a quality line of pressure tanks from 10 to 40 liter. These cost-effective tanks are supplied complete with a quality regulator, over-pressure valve, back-check valve and fluid shut-off valve. Dan-Am models include 10 liter pressure tanks with single or double pressure regulator either plain, with manual stirrer or with pneumatic stirrer. Other 20 and 40 liter variations are also offered with single or double pressure regulator. Tanks are mounted on wheels for ease of handling and mobility.



10 Liter pressure tank

671100	10 l pressure pot w/single regulator, over-pressure valve, back check valve, fluid shut off valve w/o stirrer
681100	10 l pressure pot w/double regulator, over-pressure valve, back check valve, fluid shut off valve w/o stirrer
671200	10 l pressure pot w/single regulator, over-pressure valve, back check valve, fluid shut off valve and manual agitator
681200	10 l pressure pot w/double regulator, over-pressure valve, back check valve, fluid shut off valve and manual agitator
671300	10 l pressure pot w/single regulator, over-pressure valve, back check valve, fluid shut off valve, pneumatic agitator
681300	10 l pressure pot w/double regulator, over-pressure valve, back check valve, fluid shut off valve, pneumatic agitator



20 Liter pressure tank

672100	20L pressure pot w/single regulator, over-pressure valve, back check valve, fluid shut off valve w/o stirrer
682100	20L pressure pot w/double regulator, over-pressure valve, back check valve, fluid shut off valve w/o stirrer
672200	20L pressure pot w/single regulator, over-pressure valve, back check valve, fluid shut off valve, manual agitator
682200	20L pressure pot w/double regulator, over-pressure valve, back check valve, fluid shut off valve, manual agitator
672300	20L pressure pot w/single regulator, over-pressure valve, back check valve, fluid shut off valve, pneumatic agitator
682300	20L pressure pot w/double regulator, over-pressure valve, back check valve, fluid shut off valve, pneumatic agitator



40 Liter pressure tank

674300	40L pressure pot w/single regulator, over-pressure valve, back check valve, fluid shut off valve, pneumatic agitator
684300	40L pressure pot w/double regulator, over-pressure valve, back check valve, fluid shut off valve, pneumatic agitator



Accessories for pressure tanks

671012	10L Pressure tank disposable liner, 12 pack, 10.5" diameter, 8.5" deep
671060	10L Pressure tank disposable liner, 60 pack, 10.5" diameter, 8.5" deep



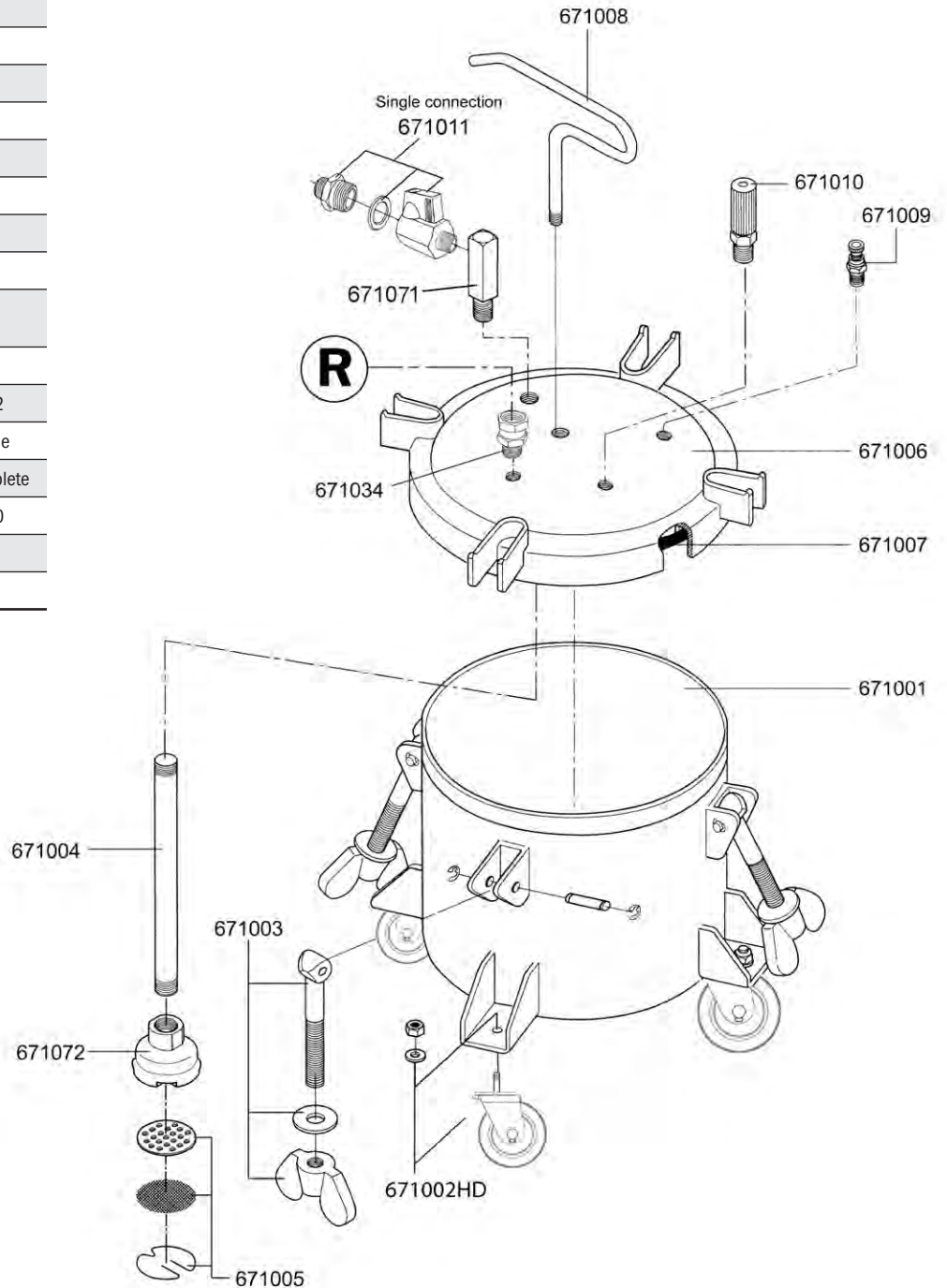
▶ See hoses on pages 159|160

Spare parts

Dan-Am 10 L Pressure Tank

671001	Pressure tank, 10 L
671002HD	Wheel assembly
671003	Swing bolt assembly
671004	Fluid tube
671005	Fluid sieve kit
671006	Tank lid
671007	Lid gasket
671008	Handle
671009	Pressure relief valve
671010	Secondary over pressure release valve
671011	Fluid Valve Assembly, single
671012	Disposable liner, 10L, Pk of 12
671034	Swivel Connector, Male/Female
671045C	10L deck, w/o regulator, complete
671060	Disposable liner, 10L, Pk of 60
671071	Fluid outlet
671072	Fluid sieve housing

671045C 10 Liter deck, W/O regulator, (includes everything shown below)



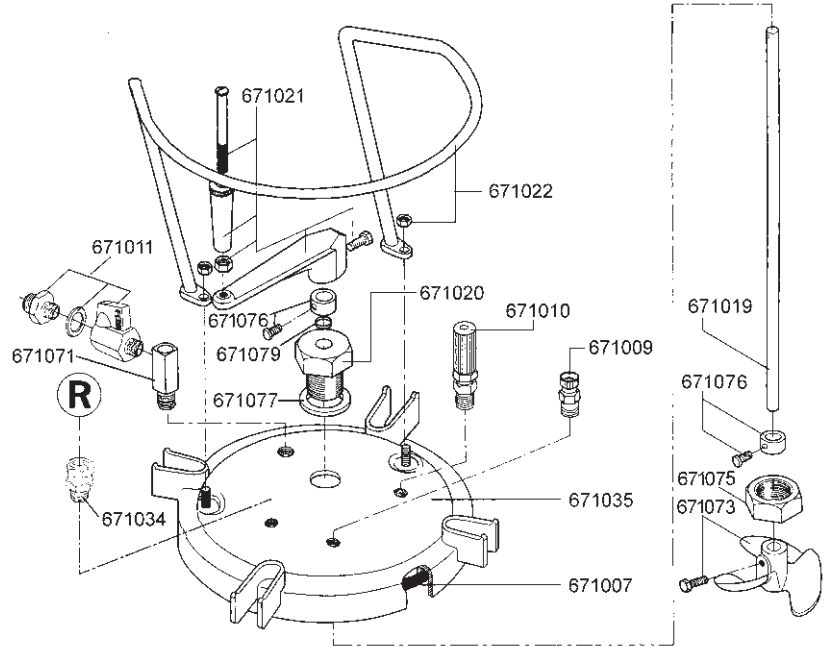
(R) = Regulator
See pages 176|177

Spare Parts Dan-Am 10 Liter Pressure Tank Lid

671007	Lid gasket
671009	Pressure relief valve
671010	Secondary over pressure release valve
671011	Fluid valve assembly
671019	Manual agitator shaft
671020	Manual crank base
671021	Manual crank handle assembly
671022	Parts guard assembly
671023	Pneumatic agitator shaft, w/coupling #671078
671024	Motor base assembly
671025	Connecting bushing assembly
671026	Air motor
671033	Agitator air line assembly
671034	Swivel connector, male/female
671035	Tank lid
671042	Additional reg for 2nd gun connection
671045	10L deck w/crank w/o reg, complete lid
671045A	10L deck w/air agitator, w/o reg, complete lid
671071	Fluid outlet
671073	Manual agitator propeller w/bolt
671074	Pneumatic agitator propeller w/bolt
671075	Agitator base nut
671076	Manual agitator shaft lock collar w/bolt
671077	Agitator base gaskets
671078	Pneumatic agitator shaft lock collar assembly
671079	O-ring, Manual agitator base, pack of 2
671080	O-ring, Pneumatic agitator base, pack of 2

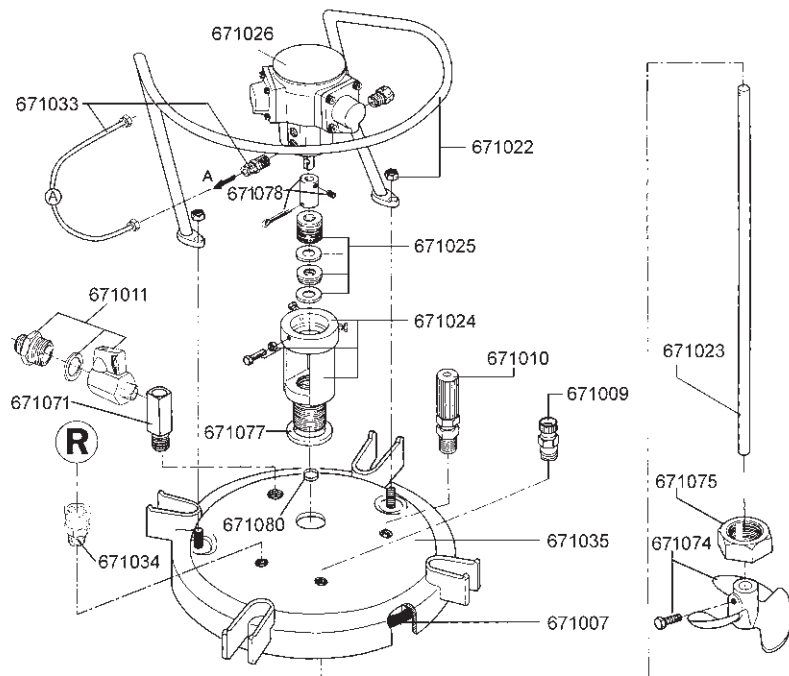
Manual Crank Agitator Version

671045 10 Liter deck, W/crank, W/O regulator, (includes everything shown below)



Pneumatic Air Agitator Version

671045A 10 Liter deck, W/air agitator, W/O regulator, (includes everything shown below)



(R) = Regulator

See pages 176|177

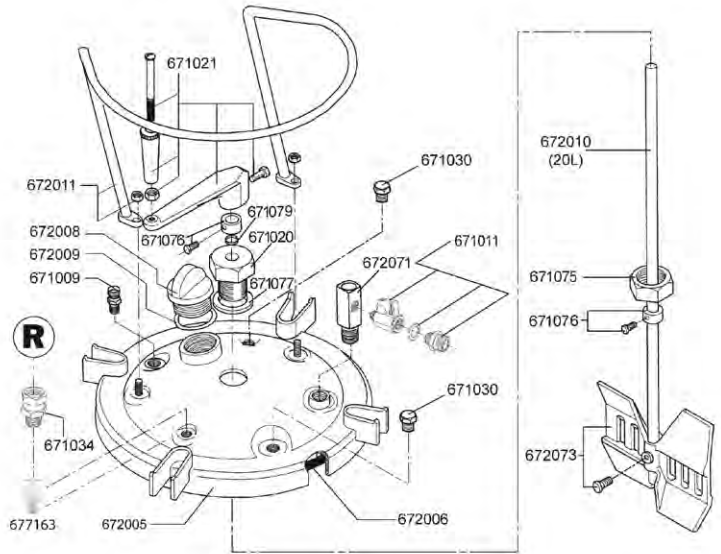
DanAm[®]

Errors, technical modifications and printing errors reserved.

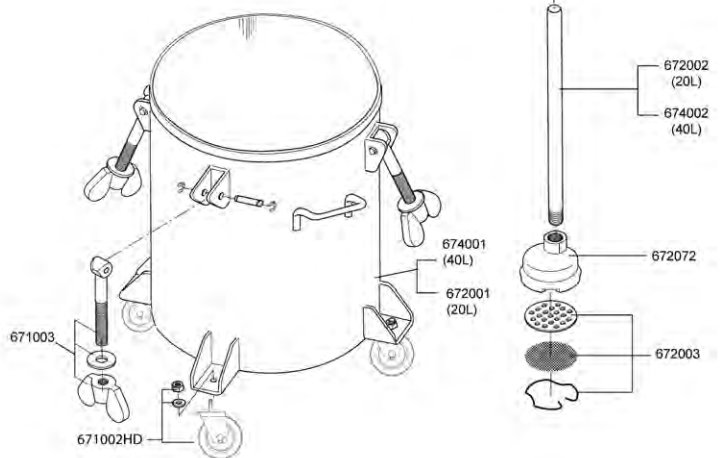
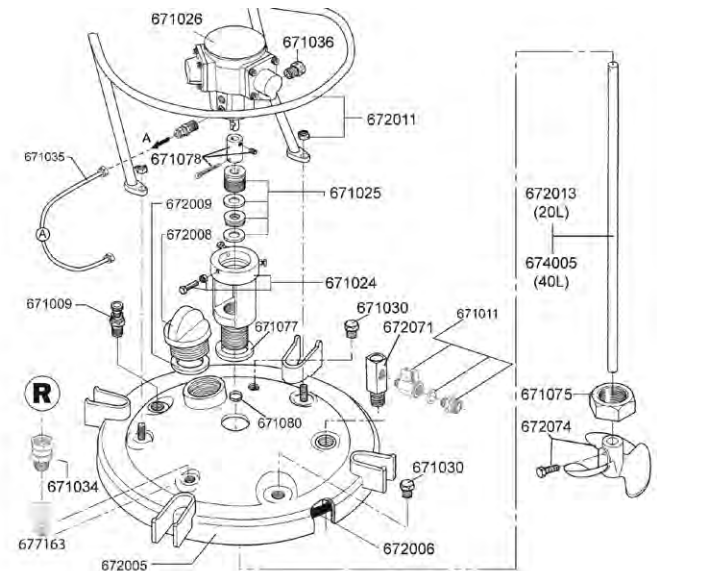
Spare Parts Dan-Am 20 & 40 Liter Pressure Tank Lid

671002HD	Wheel assembly
671003	Swing bolt assembly
671008	Handle
671009	Pressure relief valve
671010	Secondary over-pressure release valve
671011	Fluid valve assembly
671020	Manual crank base
671021	Manual crank handle
671024	Motor base assembly
671025	Bushing Set for Air Agitator
671026	Air motor
671030	Plug, male
671033	Agitator air line assembly
671034	Swivel connector, male/female
671036	Muffler
671075	Agitator base nut
671076	Manual agitator shaft lock
671077	Agitator base gasket
671078	Pneumatic agitator shaft
671079	O ring, Manual agitator base, (pk of 2)
671080	O ring, Air agitator base, (pk of 2)
672001	Pressure tank, 20-Liter
672002	Fluid tube, 20L
672003	Fluid sieve kit, 20L
672005	Tank lid w/ agitator hole
672006	Lid gasket
672008	Cap screw
672009	O Ring
672010	Manual agitator shaft, 20-Liter
672011	Parts guard assembly
672013	Pneumatic agitator shaft w/coupling #671078
672071	Fluid outlet
672072	Fluid sieve housing
672073	Hand agitator paddle, w/bolt
672074	Pneumatic agitator propeller
674001	Pressure tank, 40-Liter
674002	Fluid tube, 40L
674005	Pneumatic agitator shaft, 40L, w/coupling #671078
677163	Extension Fitting

20 Liter Manual Crank Agitators (20L only)



Pneumatic Air Agitator 20L or 40L



(R) = Regulator, see page 176 | 177

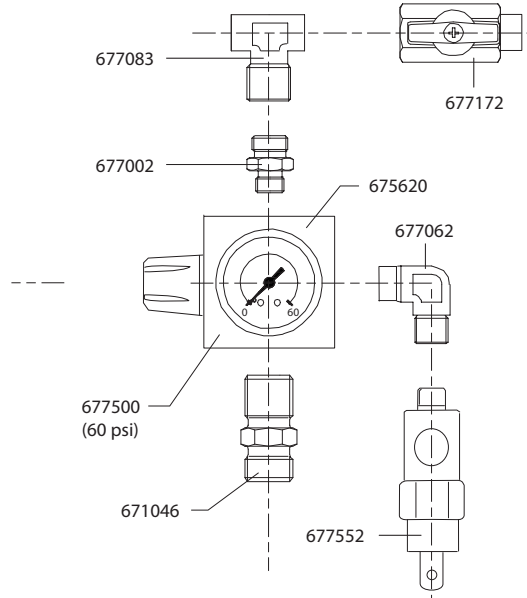
Parts Pressure tank regulators 675640 & 675642



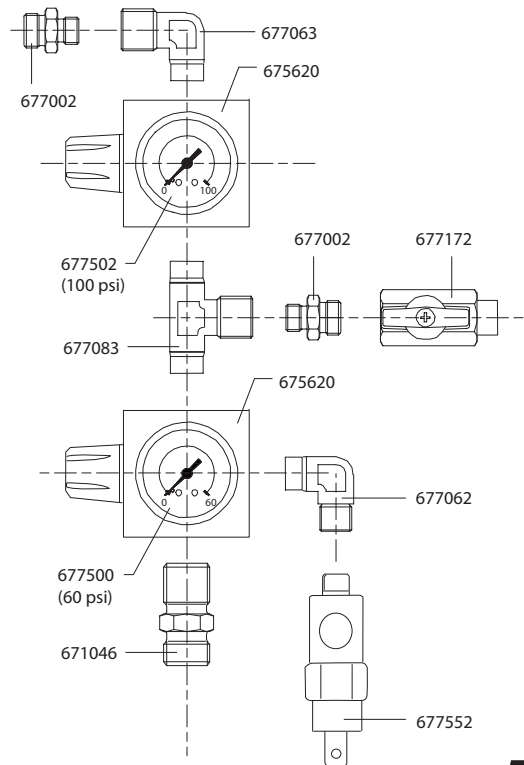
New body style - April 2013

671046	Check valve
675620	Regulator body, 1/4"
677002	Male hex nipple, 1/4"
677062	Street elbow, 1/8"
677063	Street elbow, 1/4"
677083	Tee fitting, 1/4"
677172	Mini ball valve, 1/4"
677500	Gauge, 1-1/2", 60 PSI
677502	Gauge, 1-1/2", 100 PSI
677552	Over pressure valve, 60psi

675640 Single regulator for Std and manual stir tanks, 10, 20, & 40L



675642 Dual regulator for std and manual stir tank



Errors, technical modifications and printing errors reserved.

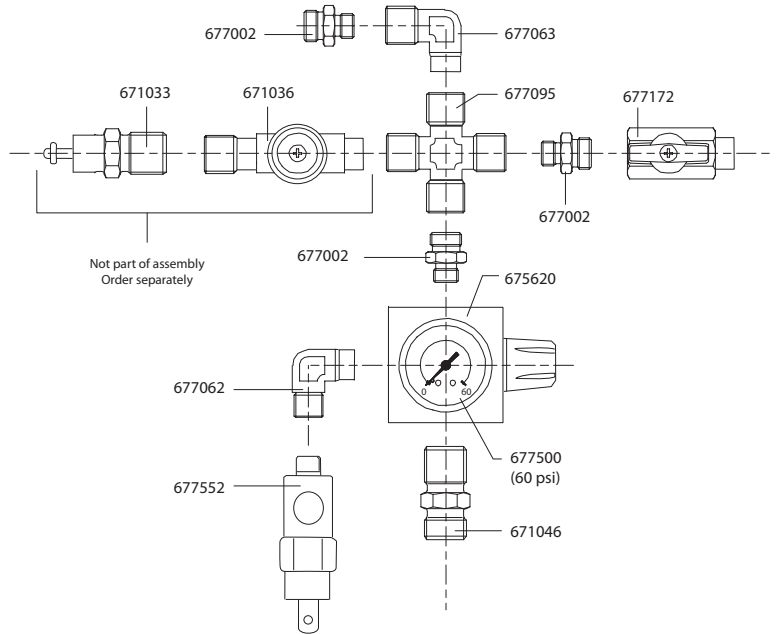
Parts Pressure tank regulators 675644 & 675646



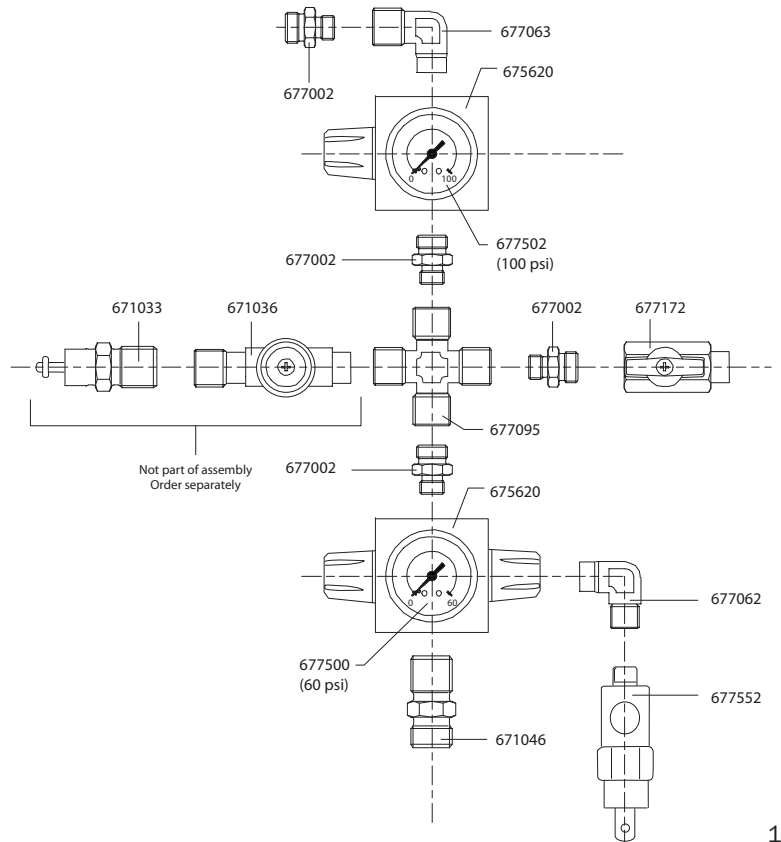
New body style - April 2013

671033	Agitator airline assembly (includes hose and fasteners)
671036	Agitator shut off valve
671046	Check valve
675620	Regulator body, 1/4"
677002	Hex nipple, 1/4"
677062	Street elbow, 1/8"
677063	Street elbow, 1/4"
677095	Female cross
677172	Mini ball valve, 1/4"
677500	Gauge, 60 PSI, 1-1/2"
677502	Gauge, 100 PSI, 1-1/2"
677552	Over pressure valve, 60psi

675644 Single regulator for Air Agitated tanks, 10, 20, & 40L



675646 Dual regulator for Air Agitated tanks



Errors, technical modifications and printing errors reserved.

Parts Dan-Am 7232 High Pressure Air Motor

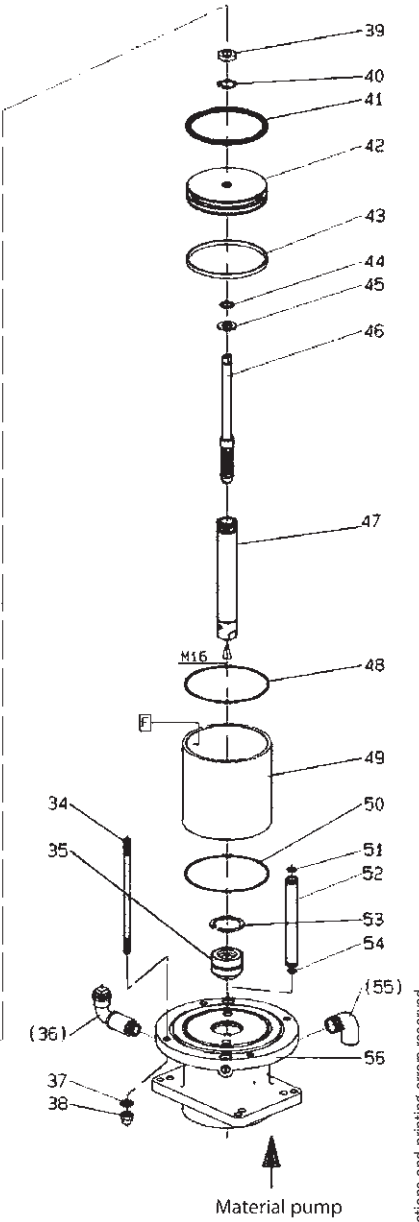
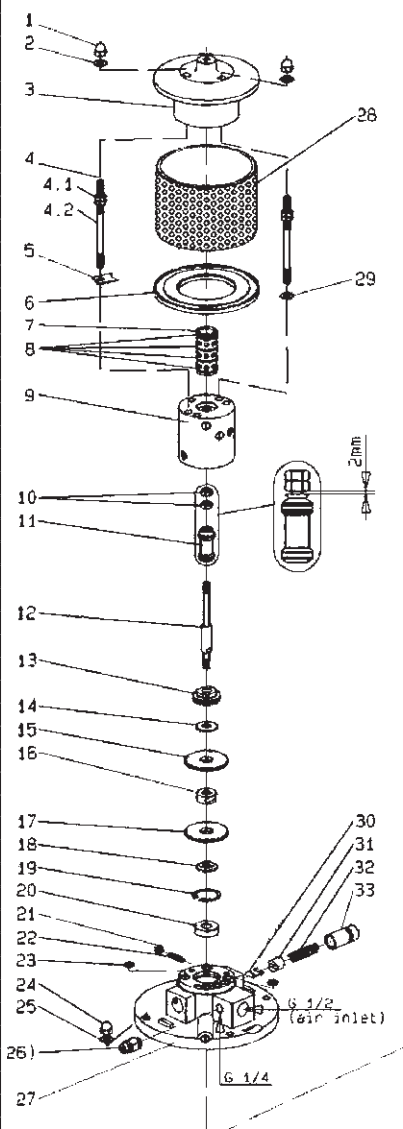


Technical data:

Part Number	0641371
Max. free-flow output in liters/min (gal./min)	11 (2.9)
Pressure ratio	32:1
Output per cycle in ccm (fl.oz.)	72 (2.5)
Max. inlet air pressure in bar (psi)	8 (116)
Max. material outlet pressure in bar (psi)	256 (3731)
Approx. air consumption in liter/min. (cu.ft./min)*	311 (11)

*40 cycles per minute at 6 bar (87 psi) inlet pressure

POS	PART NO.	QTY	CODE	DESCRIPTION
1.	0475297	3		dome nut
2.	0460214	3		washer
3.	0641317	1		cover
4.	0641550	3		threaded bolt assembly consisting of pos. 4.1-4.2
4.1	0460192	6		nut
4.2	0641320	3		threaded bolt
5.	0641314	1		safety plate
6.	0474932	1		disc
7.	0641318	1		control cylinder
8.	0310182	4	W, S, R	o-ring
9.	0641151	1		control housing assembly
10.	0460192	2	R	nut
11.	0641327	1	W, R	control piston assembly
12.	0641319	1		control axle
13.	0475076	1		alignment, insert
14.	0475041	1	W, R	dampening spacer
15.	0494054	1		disc
16.	0480258	1	W, R	carrier assembly
17.	0494054	1		disc
18.	0475041	1	W, R	dampening spacer
19.	0493961	1		retaining ring
20.	0493953	1		disc
21.	0460184	2		nut
22.	0460362	2		threaded pin
23.	0641324	6	W, S, R	o-ring
24.	0475297	4		dome nut
25.	0460214	4		washer
(26.)	0611891	1		safety valve
27.	0641325	1		upper part cpl.
28.	0641331	1		air muffler assembly
29.	0460214	2		washer
30.	0470325	2	W	toggle
31.	0473081	2	W	toggle bearing
32.	0411876	2	W	spring
33.	0475122	2		bearing bush
34.	0641486	4		threaded bolt
35.	0482471	1	W, S, R	bush assembly
(36.)	0489026	1		filler neck assembly
37.	0460214	4		washer
38.	0475297	4		dome nut
39.	0475114	1	W, S, R	seal
40.	0461334	1	R	retaining ring
41.	0311391	1	W, S, R	o-ring
42.	0475149	1		piston plate
43.	0475157	1	W, S, R	guide ring
44.	0477281	1	W, S, R	o-ring
45.	0475165	1	W, R	disc
46.	0641485	1	W, R	guide axle assembly
47.	0641487	1	W	motor axle
48.	0311405	1	W, S, R	o-ring
49.	0641488	1	W	cylinder
50.	0311405	1	W, S, R	o-ring
51.	0631431	2	W, S, R	o-ring
52.	0639014	2		air inlet pipe
53.	0473367	1	R	retaining ring
54.	0631431	2	W, S, R	o-ring
(55.)	0644436	1		elbow
56.	0641326	1		bottom assembly
	0641491		R	Seal kit
	0641490			Repair kit



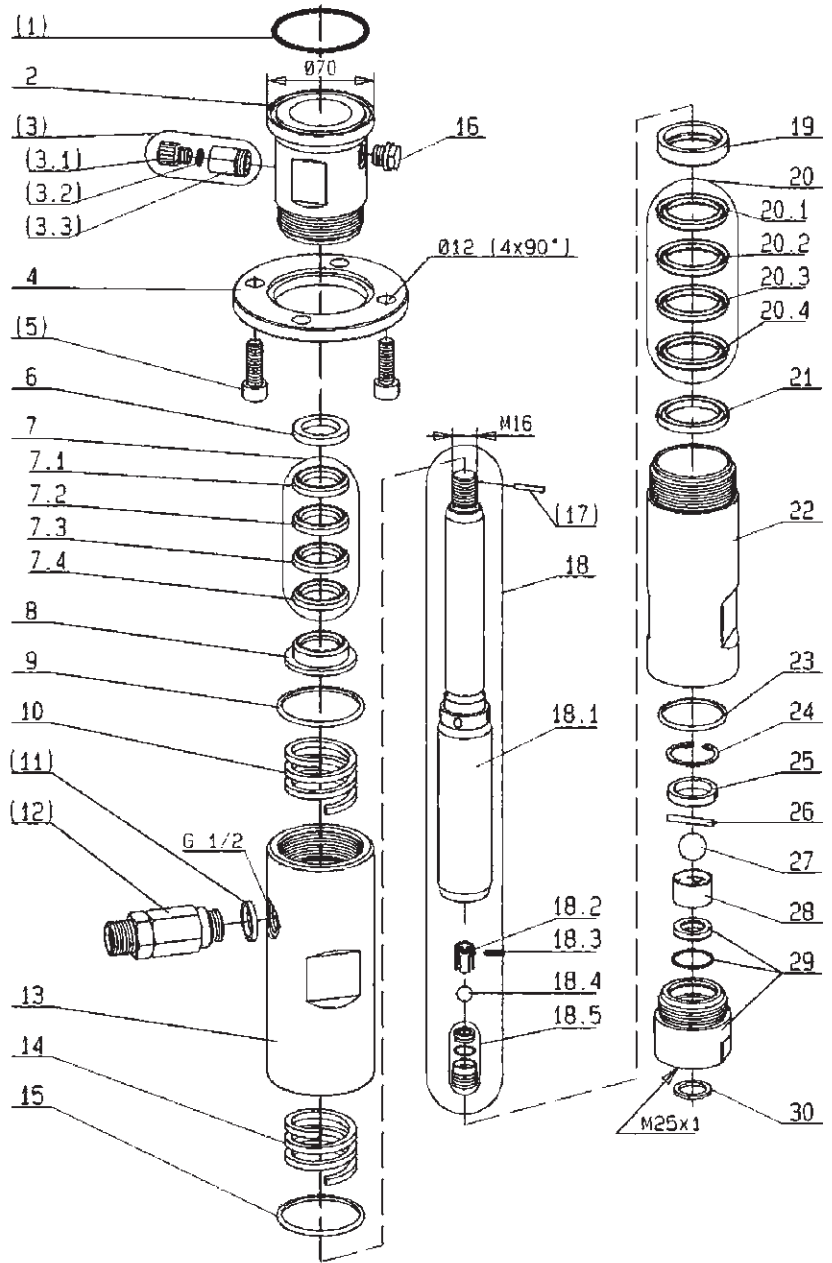
W = Wear part
 S = Included in Seal kit
 R = Included in Repair kit
 Pos. No. marked with () are not part of assembly shown



Errors, technical modifications and printing errors reserved.

Parts Dan-Am 7232 high pressure material pump

POS	PART NO.	QTY	CODE	DESCRIPTION
(1.)	0641493	1	S,R	o-ring
2.	0646931	1		high pressure head
(3.)	0163686	1		drain valve assembly consisting of pos. (3.1)-(3.3)
(3.1)	0210714	1		draining screw
(3.2)	0310239	1	S, R	o-ring
(3.3)	0221759	1		valve housing
4.	0641430	1		connecting ring
(5.)	0477184	4		screw
6.	0641443	1		saddle ring
7.	0641449	1	W,R	packing ring set mixed consisting of pos. (7.1) - (7.4)
7.1	0630062	1	W,R	packing ring teflon
7.2	0631811	1	W,R	packing ring leather
7.3	0630062	1	W,R	packing ring teflon
7.4	0630062	1	W,R	packing ring teflon
8.	0641446	1		counter ring
9.	0465852	1	S, R	gasket
10.	0641445	1		spring
(11.)	0603619	1		gasket
(12.)	0063835	1	W	non-return valve assembly
13.	0646934	1		spring housing
14.	0641445	1		spring
15.	0465852	1	S, R	gasket
16.	0640052	1		sight glass
(17.)	460745	1	R	tension
18.	0647458	1	W	dual piston cpl. consisting of pos. 18.1-18.5
18.1	0647456	1	W	dual piston
18.2	0648573	1		ball guide
18.3	0647394	1	W	cylindrical pin
18.4	0410195	1	W,R	ball
18.5	0618586	1	W	valve screw cpl.
19.	0630103	1		counter ring
20.	0641450	1	W,R	packing ring set mixed consisting of pos. 20.1-20.4
20.1	0627978	1	W,R	packing ring teflon
20.2	0627978	1	W,R	packing ring teflon
20.3	0310425	1	W,R	packing ring leather
20.4	0627978	1	W,R	packing ring teflon
21.	0641444	1		saddle ring
22.	0641452	1		pressure cylinder
23.	0218162	1	S, R	gasket
24.	0641146	1		retaining ring
25.	0641069	1		sleeve
26.	0641129	1	W, R	cylindrical pin
27.	0410225	1	W,R	ball
28.	0605743	1		ball guide
29.	0646635	1	W	valve housing cpl.
30.	0218057	1	S, R	gasket
	0646928		R	seal kit
	0646973			repair kit



W = Wear part
 S = Included in Seal kit
 R = Included in Repair kit
 Pos. No. marked with () are not part of assembly shown

Errors, technical modifications and printing errors reserved.

The Dan-Am air-assisted airless piston pump allows the applicator to coat large surfaces rapidly regardless of materials used. That makes the Dan-Am air-assisted airless piston pump suitable for the marine, aviation and miscellaneous motor manufacturing industry. The Dan-Am air-assisted airless pump system provides low overspray and features stainless steel construction making it suitable for waterborne material.

Trouble free handling, long service and cleaning simplicity is what characterizes the Dan-Am Air Assisted Airless system.

Dan-Am 2710 medium & 2733 high pressure pump



Technical:

Model	2710	2733
Max. free-flow output in liters/min (gal./min)	4.2 (1.10)	4.2 (1.10)
Pressure ratio	10:01	33:01:00
Output per cycle in ccm (fl.oz.)	27 (0.9)	27 (0.9)
Max. inlet air pressure in bar (psi)	8 (116)	8 (116)
Max. material outlet pressure in bar (psi)	80 (1160)	264 (3830)
Approx. air consumption in liter/min. (cu.ft./min)*	81.6 (2.88)	235 (8.3)

*40 cycles per minute at 6 bar (87 psi) inlet pressure

Dan-Am 2710 and 2733 Pressure Pumps

- 2 Pressure ratios choices: Medium 10:1 or High 33:1
- 27 ccm Material delivery per double stroke
- Perfect finishing system for high quality, even finishes
- Ideal for trade and industry:
Cabinet shops, Furniture industry, Paint & Finish shops, Machine construction
- Highly portable for flexible use in almost any location.
- Dual filter system prevents downtime.
- Spring loaded, self-adjusting packings reduce wear and tear.
- Heavy duty housing and a new seal system further improve safety.
- Quick and simple maintenance

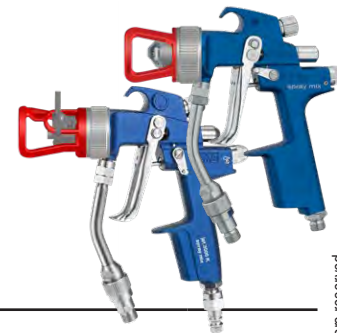


▶ Air Assist Pump Systems order form page 184

SATAjet 3000 K spray mix

Technical:

Max. operating pressure atomization air:	145 psi	145 psi
Max operating pressure material:	3.625 psi	
Weight incl. material filter:	23 oz.	



Spray mix gun

120006 SATAjet 3000 K spray with paint tube, strainer 100 mesh, and nozzle set (specify material nozzle size)

Spray mix gun w/ Reversing switch

120014 SATAjet 3000 K spray with paint tube, strainer 100 mesh, and reversing nozzle (specify reversing nozzle size)





207530 Reversing switch kit for SATAjet 3000 K spray mix w/out reversing nozzle

Note: Using a reversing nozzle requires a "one time" purchase of the reversing switch. Part Number 207530

▶ See page 26 for nozzle sizes

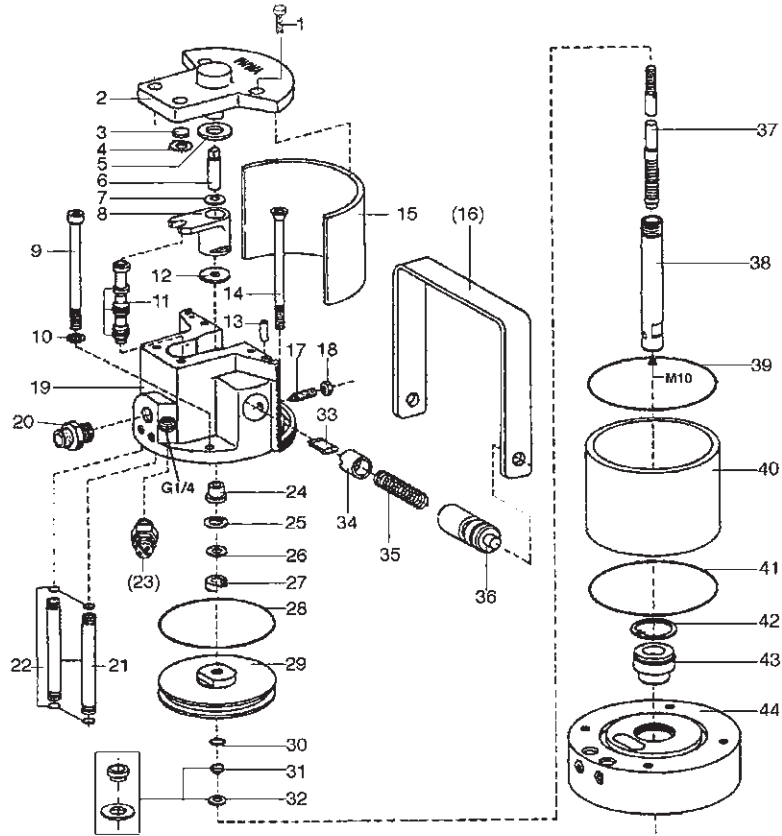
Dan-Am 2710 & 2733 accessories

10:1 Piston Pump Accessories

0644299	2710, 10:1 pump assembly with filter and fittings	
0661796	2733, 33:1 pump assembly with filter and fittings	
0644207	2710, 10:1 pump only	
0644211	2733, 33:1 pump only	
11007	Wall mount unit for high performance pumps	
17483	Cart unit for high performance pumps	
0634509	High pressure filter for high performance pumps	
0163023	M50 (std), orange, HP filter replacement insert	
0160059	M100, black, HP filter replacement insert	
0160628	M150, red, HP filter replacement insert	
0160636	M200, white, HP filter replacement insert	
0163333	Rinsing fluid (Oil), for high performance pumps, throat seal tube	
83840	Stand unit for high performance pumps	
97279	Spray mix dual regulator, single gun connection	
97287	Spray mix triple regulator, dual gun connection	
0498173	5.0 gal / 18.9 l flex tube, standard	
0627401	5.0 gal / 18.9 l flex tube, stainless steel	
Inquire	55.0 gal / 208.1 l flex tube	
640225	25 ft dual high pressure hose	
640250	50 ft dual high pressure hose	
0639123	2 gun material connection	
0643913	Std. inlet suction tube	
0479101	Std. inlet tube sieve	

- ▶ Additional options and set ups are available.
- ▶ Please inquire for customized spray systems to accommodate your needs.

Parts Dan-Am 2710 & 2733 air motor



Part No. in Red 33:1 only
 Part No. in Green: 10:1 only
 Part No. in Black: common

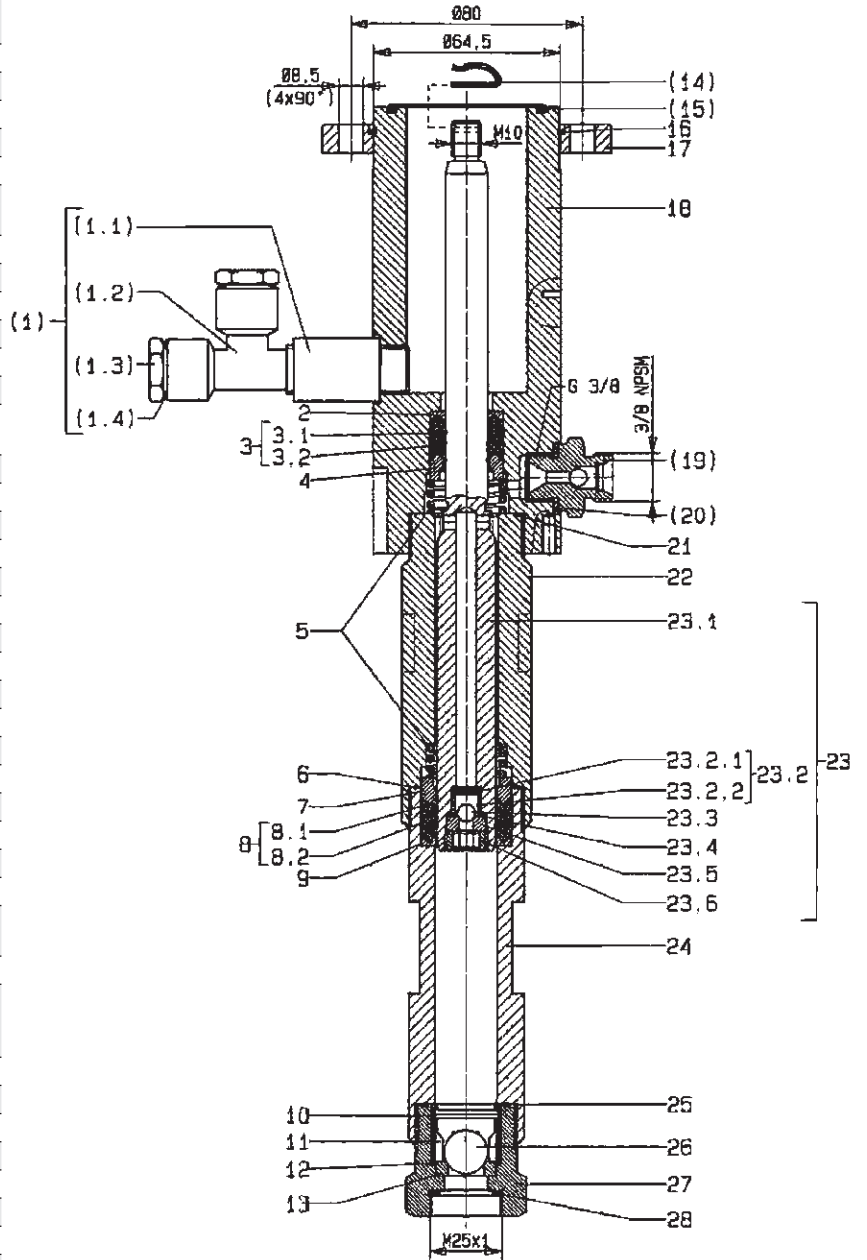
POS	PART NO.	QTY	CODE	DESCRIPTION
1	0460508	4		screw
	0473820	1		cover cpl., pos. 2-4
2	0470309	1		cover
	0470236	1		bush (not illustrated)
3	0470252	1	W, R	dampening spacer
4	0473162	1	R	jagged ring
5	0470279	1	W, R	dampening spacer
6	0470201	1		bolt
7	0470147	1		disc
8	0473111	1	W	carrier cpl.
9	0638922	2		screw
10	0460591	2		washer
11	0473170	1	W, R	control piston cpl.
12	0470287	1	W, R	dampening spacer
13	0473189	2		cylindrical pin
14	0638920	2		screw
15	0470368	1		dampening plate
16	0473200	1		handle
17	0473812	2		threaded pin
18	0460184	2		nut
19	0621498	1		upper part cpl.
20	671034	1		male adaptor
21	0638916	2		air inlet pipe
22	0470392	4	S, R	o-ring
23	0611891	1		safety valve
24	0470155	1		flange sleeve
25	0470384	1	R	retaining ring
26	0476137	1		disc
27	0310204	1	W, S, R	lip seal

POS	PART NO.	QTY	CODE	DESCRIPTION
28	0482609	1	W, S, R	o-ring
28	0478652	1	W, S, R	o-ring
29	0610666	1		piston plate
29	0611271	1		piston plate
30	0310174	1	W, S, R	o-ring
31	0610631	1	R	guide ring
32	0610658	1	R	disc
33	0470325	2	W	toggle
34	0473081	2	W	toggle bearing
35	0617709	2	W	spring
35	0652343	2	W	spring
36	0470171	2		bearing bush
37	0638918	1	W, R	guide axle cpl.
38	0644228	1	W	motor axle
39	0482617	1	S, R	o-ring
39	0310514	1	S, R	o-ring
40	0638919	1	W	cylinder
40	0644230	1	W	cylinder
41	0482617	1	S, R	o-ring
41	0310514	1	R	o-ring
42	0473251	1	R	retaining ring
43	0482625	1	W, S, R	guide bush cpl.
44	0622079	1		bottom cpl.
	0641232		R	Seal kit, 33:1
	0641230		R	Seal kit, 10:1
	0641237			Repair kit, 33:1
	0649499			Repair kit, 10:1

W = Wear part
 S = Included in Seal kit
 R = Included in Repair kit
 Pos. No. marked with () are not part of assembly shown

Parts Dan-Am 2710 & 2733 material pump

POS	PART NO.	QTY	CODE	DESCRIPTION
(1.)	0642643	1		filler neck assembly consisting of pos.(1.1)-(1.4)
(1.1)	0498351	1		extension
(1.2)	0642586	1		T-piece
(1.3)	0642587	2		plug (includes pos.(1.4))
(1.4)	0632184	2	S, R	o-ring
2.	0644213	1		saddle ring
3.	0644380	1	W, R	packing ring set mixed consisting of pos. 3.1-3.2
3.1	0644189	3	W, R	packing ring teflon
3.2	0644182	1	W, R	packing ring leather
4.	0644212	1		counter ring
5.	0644181	2		spring
6.	0644184	1	S, R	o-ring
7.	0644216	1		counter ring
8.	0644381	1	W, R	packing ring set mixed consisting of pos. 8.1-8.2
8.1	0644214	3	W, R	packing ring teflon
8.2	0644183	1	W, R	packing ring leather
9.	0644215	1		saddle ring
10.	0481394	1	W, R	cylindrical pin
11.	0604615	1		ball guide
12.	0631634	1	S, R	o-ring
13.	0411361	1	W	valve seat
(14.)	0644233	1	R	retainer
(15.)	0311928	1	S, R	o-ring
16.	0473537	1		retaining ring
17.	0471658	1		connecting ring
18.	0644238	1		pump head
(19.)	0060585	1	W	non return valve
(20.)	0611778	1	S,R	seal
21.	0644184	1	S, R	o-ring
22.	0644239	1		spring housing
23.	0650183	1		dual piston cpl. consisting of pos. 23.1-23.6
23.1	0644221	1	W	dual piston
23.2	0483664	1	W	ball stop assembly consisting of pos. 23.2.1-23.2.2
23.2.1	0460338	1	W	tension pin
23.2.2	0478806	1		spacer sleeve
23.3	0410187	1	W, R	ball
23.4	0644241	1	S, R	o-ring
23.5	0410527	1	W	valve seat
23.6	0219002	1		threaded plug
24.	0644240	1		pressure cylinder
25.	0641336	1	S, R	o-ring
26.	0410217	1	W, R	ball
27.	0644237	1		valve housing
28.	0218057	1	S, R	seal
	0644382		R	seal kit (standard)
	0644383			repair kit (standard)
	0647019			repair kit (heavy duty)

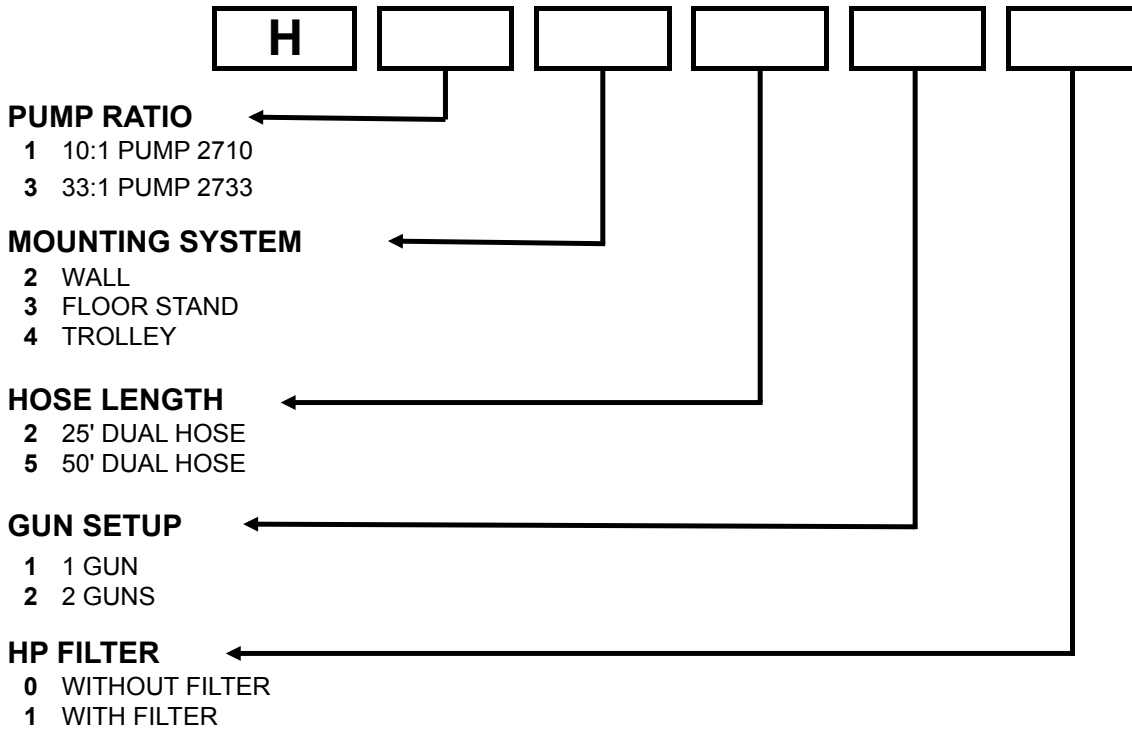


Errors, technical modifications and printing errors reserved.

Dan-Am Pump Part Number Order System

DAN-AM AIR ASSIST PUMP SYSTEMS PART NUMBERING SYSTEM

Enter numbers in boxes to calculate our cost.



ALL SYSTEMS BEGIN WITH THE LETTER H
ALL SYSTEMS INCLUDE INLET AIR REGULATORS & STANDARD SUCTION TUBE
SYSTEMS WITH GUNS COME WITH THE SATAJET 3000K SPRAY MIX WITH A 3350 NOZZLE
PLEASE SPECIFY IF YOU WOULD LIKE A DIFFERENT NOZZLE SIZE.

Dan-Am 5 gallon agitator lid

- Complete Stainless Steel Construction – Suitable for Waterborne Coatings
- Durable GAST Air Motor construction
- Complete range of speed variability



640100 Dan-Am 5 gallon agitator lid, pail mount

Pail not included



Spare parts

Dan-Am 5 Gallon Agitator Lid

POS	Part No.	Description
1	640100	Agitator Lid complete
2	640110	Air motor 1UP-NCC-1A w/muffler
3	640111	Impeller, ss, w/shaft
4	640112	Coupler, air motor to impeller (not visible)
5	640113	7/8 inch lock collar
6	640114	1 1/4 inch lock collar
7	640115	Air regulator
8	640117	Thumb screw 1/4 x 1 1/4 inch (ea.)
9	640120	14 ga x 5 ft ground wire



SATAwear & Accessories

FREE SHIPPING with purchase of \$75 or more!!

Free shipping only applies to orders in the USA (AK and HI included)

- SATA Gear for Men, Women and Youth
- Socks • Banners
- Key Chains
- Drinkware
- Headwear
- Promotional Items
- Gift Certificates & More

satausagear.com

Check Out Our
New Products



Photo Courtesy:
Aaron Eschenburg, Th3Studio
A special thank you to Ron Coan

Dan-Am Paint Suits

High quality reusable paint suits for the professional painter
More cost effective than disposable paint suits



Pro Series Dan-Am Paint Suits

510050PS	X-Small
510052PS	Small
510054PS	Medium
510056PS	Large
510058PS	XLarge
510060PS	XXLarge (2XL)
510062PS	XXXLarge (3XL)

Please Note: Order the Pro-Series paint suit as you would your normal size, these run a little larger to fit over your clothing.

The Dan-Am **Pro-Series** paint suit is expertly designed for fit and movement, with sewn in Carbon Fibre Thread to dissipate electrostatic charges which cannot wash out. Made with the finest quality fabric and specially treated to keep it lint free. The suit has a covered heavy duty zipper, exterior utility velcro pocket, adjustable sleeve and leg velcro closures, wide leg, adjustable elastic waste band for fit and comfort, fully breathable back fabric, 2 utility back pockets, underarm zipper opening for ventilation when needed, lengthened side zipper, bi-swing shoulders for easier movements. Lighter weight protective fabric in the hood, Machine washable.



Pro Series Ladies Dan-Am - GBG Paint Suit

540050GBG	X-Small
540052GBG	Small
540054GBG	Medium
540056GBG	Large
540058GBG	XLarge
540060GBG	XXLarge (2XL)
540062GBG	XXXLarge (3XL)

Please Note: The GBG Pro-Series paint suit sizing is based on jacket size. It is a fitted paint suit for ladies, but it's not the same as when ordering tight fitted clothing.

First paint suit tailor-made to fit ladies in the paint industry! It has all the features of the Pro Series suit, including being anti-static. Plus it has the added features: pocket knee pads, colored ankle and wrist closures, detailed piping, the Girls Behind the Gun and Goddess Behind the Gun logos.



Dan-Am Paint Suits

Dan-Am Company offers this high quality paint suit with SATA logo on the front and back. They are made of 100% breathable polyester that offers superior protection over clothing. These paint suits are treated to be anti-static, open at the wrist, ankle and face, available in white or gray. The Dan-Am paint suits are machine washable and available in sizes X-Small to 4XL.

White Dan-Am Paint Suit

530050W	X-Small
530052W	Small
530054W	Medium
530056W	Large
530058W	XLarge (XL)
530060W	XLarge (2XL)
530062W	XXXLarge (3XL)
530064W	XXXXLarge (4XL)



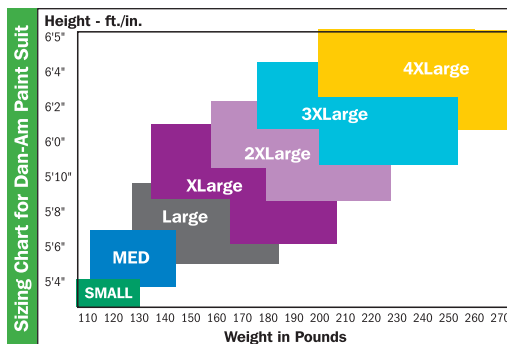
Gray Dan-Am Paint Suits

520052G	Small paint suit
520054G	Medium paint suit
520056G	Large paint suit
520058G	X-Large paint suit (XL)
520060G	XX-Large paint suit (2XL)
520062G	XXX-Large paint suit (3XL)
520064G	XXXX-Large paint suit (4XL)



Coveralls which are damaged, torn or have broken zippers, etc should be discarded and replaced.

*Please Note: This chart is a guide for Dan-Am Paint Suit. Proper fit varies with under clothing and body shape.




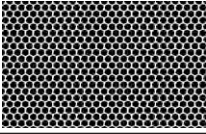


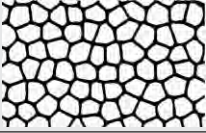
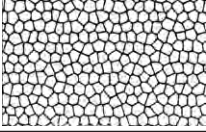
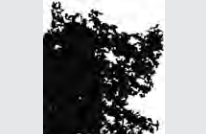
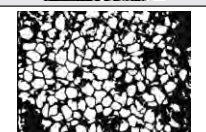
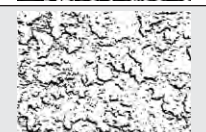
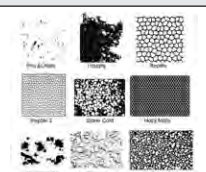
Errors, technical modifications and printing errors reserved.

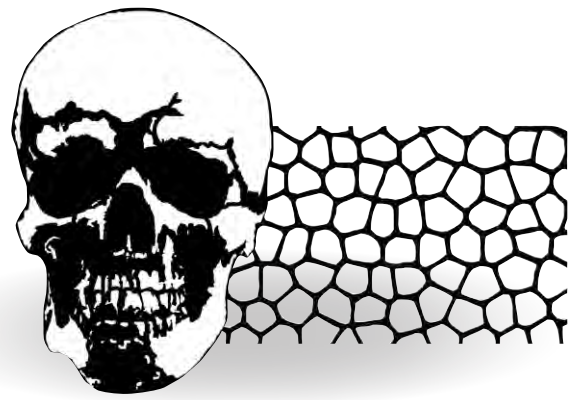
Dan-Am Pro Stencils

These stencils are designed by world-famous artist Mickey Harris. Dan-Am Pro Stencils give the painter or artist the distinct and unique ability to do 3 dimensional appearing work on flat and curved surfaces. They are made from 7 mil Mylar, so are very flexible for curved surfaces. They can easily be cleaned with solvent or water, and are very durable to create many great designs with each stencil.

Dan-Am Pro Texture Stencils

The Pro Texture Stencils by Dan-Am contain 9 great designs to help you build texture and depth into your backgrounds, and in combination with the Pro Series Skull 3 Pack stencils to help artists create backgrounds with depth, and the stencils can be maneuvered to give a great random appearance . We also offer an incredible value kit with all 9 designs, called Mega Texture Kit.


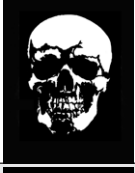
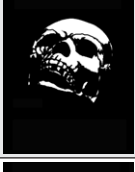





T9	Cracked earth 2 Stencils Approx. size 1) 4" x 5" 1) 8" x 10"	
T10	Holly Molly 2 Stencils Approx. size 1) 4" x 5" 1) 8" x 10"	
T11	Paint Splatter 2 Stencils Approx. size 1) 4" x 5" 1) 8" x 10"	
T12	Pits & Chips 2 Stencils Approx. size 1) 4" x 5" 1) 8" x 10"	
T13	Reptile 2 Stencils Approx. size 1) 4" x 5" 1) 8" x 10"	
T14	Reptile 2 2 Stencils Approx. size 1) 4" x 5" 1) 8" x 10"	
T15	Roughy 2 Stencils Approx. size 1) 4" x 5" 1) 8" x 10"	
T16	Stone Cold 2 Stencils Approx. size 1) 4" x 5" 1) 8" x 10"	
T17	Stucco 2 Stencils Approx. size 1) 4" x 5" 1) 8" x 10"	
T18	Mega Texture Kit 18 Stencils One SET of each; T9, T10, T11, T12, T13, T14, T15, T16, T17	



Dan-Am Pro Skull Stencils

SERIES 1

The Skull stencils are designed to be painted on dark backgrounds, with lighter contrasting colors. Each of the 7 different designs, include 5 sizes in each pack. Plus we offer a Super Skull Pack which includes 5 sizes of each of the 7 designs. 35 usable stencils in one pack.

T1	Skull pack 1 Five different sizes	
T2	Skull pack 2 Five different sizes	
T3	Skull pack 3 Five different sizes	
T4	Skull pack 4 Five different sizes	
T5	Skull pack 5 Five different sizes	
T6	Skull pack 6 Five different sizes	
T7	Skull pack 7 Five different sizes	
T8	Super Skull pack This contains 35 stencils. Five different sizes of each,, T1, T2, T3, T4, T5, T6, T7	

Errors, technical modifications and printing errors reserved.

Dan-Am Pro Stencils

Freehand stencils

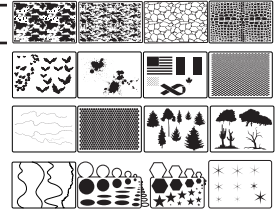
T19

Necessary Nine,
handheld stencil kit



TM1

Hard Hittin' Mini Stencils
contains 16 great designs
3.5" x 5.5" each



Dan-Am Pro Skull Stencils

SERIES 2

Fined detail for use on dark colors using high lights for colors. These stencils are 7 mil mylar and each pack includes 3 sizes. The Skull Collection 2 Mega pack has 3 different sizes in each pack.

T20

Coconut
Three different sizes



T21

Ed The Head
Three different sizes



T22

Gaping Gourd
Three different sizes



T23

Mr. Melon
Three different sizes



T24

Open Dome
Three different sizes



T25

Pumpkin
Three different sizes



T26

Skull 2 Mega Pack
This contains 18 stencils.
Three different sizes of
each, T20, T21, T22, T23,
T24, T25

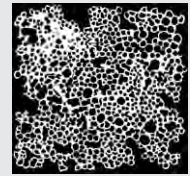


Dan-Am Pro Stencils - Fine Texture Series

Today's demanding artists require a selection of texture stencils capable of creating the most intricate details. Dan-Am has developed a series of the finest super detail organic stencils ever. Designed by Mickey Harris a professional artist for 38 years. There are no better stencils or better priced ones available. made of 7 mil Mylar. Flexible for curves and great for flat areas as well. Easily cleaned with solvent or water.

TF30

Acid Drips
3" x 5"



TF31

Sea Weed
3" x 5"



TF32

Tree
3" x 5"



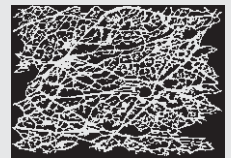
TF33

Wow Man
3" x 5"



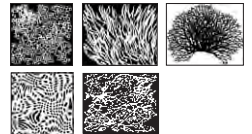
TF34

Overgrown
3" x 5"



TF35

Fine Texture Mega Pack
Complete set of T30-T34



Paintable Mini Hoods

HOOD

Ready to paint, miniature aluminum hood. Approx. size: 24"w x 30"h

HOODM

Mini-Mini hood, DanAm aluminum miniature hood ready for painting,
little smaller than the miniature hood above Approx. size: 14.75" w x 13.10" h



Dan-Am How-To Books and DVDs

How-To DVD's and Books

43012 How To Airbrush, Pinstripe, Goldleaf by Timothy Remus
10 start-to-finish sequences from nationally known artists, pinstripes as an outline or a design, stencil use with an airbrush, skull and flame combo designs, goldleaf - layout, apply and outline



dam.wp350mh Airbrush How To with Mickey Harris :
is an inside look at what it takes to be a successful airbrush artist - both in terms of the art and the business. The book is broken down by the type of airbrushing being discussed: Automotive, Fine Art & Illustration, Murals, Signs and T-shirts. Within each category the discussion includes not just how to airbrush a custom chopper or a T-shirt, but how to Make a Living airbrushing motorcycles, murals or T-Shirts.



CDMH1 Beginning Airbrush Techniques for the Automotive Painter:
Gun control is essential to achieve professional results; this DVD will get you started right away. This DVD will show you what to practice to gain gun control. Learn the proper way to disassemble, clean and re-assemble your airbrush. Mickey will take you through a project rendering of a granite panel to demonstrate dimension. Approx. *** minutes



CDMH2 Woodgrain Techniques
Mickey's fun loving and engaging teaching style will show you all the latest tricks for automotive woodgraining. Learn the fastest techniques to airbrush knots and knot holes, heavy woodgrain, barn wood, carvings in wood, and tongue and groove. Also cabinet doors and a boss hoss dash demo. Approx. *** minutes
All the latest tricks and techniques for automotive WOODGRAINING!



CDMH3 Prepare to Become a Master of Metal:
Mickey will show you techniques, tips, and tricks that will have you painting rivets and metal like a master. Topics covered in this DVD include a demo of the "Resident Evil" car and a Craftsman Series race truck. Mickey will also show you how to do rivets, dents, rips, grinder marks, and distressing. Approx. *** minutes



430151 Kustom Painting Secrets by Jon Kosmoski
Jon Kosmoski has once again teamed up with Tim Remus at Wolfgang Publications, Inc to produce a great new How-To book. He starts with the basics of how to set up a shop, pick a compressor and plumb in new airlines. He covers modern paint technology, and the right equipment to use. Full of great colored pictures of many of his own latest projects, and those of others. It is 144 pages containing a lifetime of Jon's Experience. This is a great book for any painter, and will be a great addition to any vocational schools must-read list.



MW140 How to Paint Your Motorcycle by JoAnn Bortles,
Author JoAnn Bortles covers the latest painting techniques; painting flames, skulls, and murals; candy and pearl paints; and also explains the latest paints and finishes. Even if you don't paint your own bike, this book will provide the information you need to have a professional painter do exactly what you want.



MW167 How to Custom Paint Your Motorcycle by JoAnn Bortles
Author JoAnn Bortles teaches the art of motorcycle painting from top to bottom, from matte black to candy coats, metallic, marblizing, granites, and more. Bortles explains bodywork and molding techniques, setting up your paint area, buying and maintaining your equipment, and choosing the correct paints and finishes



MW222 How to Custom Paint Your Car by JoAnn Bortles
Whether you're flaming a hot rod, putting skulls on a classic lowrider, or simply coating your automobile in a shiny pearl or candy, this book will walk you through every step of the process. Step-by-step, learn how to set up your workshop, choose your tools, and prep your car. Then, from simple to the extraordinary, start working with custom colors, flames, metallic, marbles, custom graphics, and pinstriping



MW237 How to Master Airbrush Painting Techniques by JoAnn Bortles
Expert custom painter and author JoAnn Bortles takes the beginner through the first steps of becoming an airbrush artist. She starts by explaining how to choose and buy equipment, how to master strokes and air pressure, and the materials and accessories a painter will need. And when you're ready to move on to portraits, metal effects, complex stencils, landscapes and more, Bortles gives you the tools to tackle difficult projects.



MW237 How To Custom Paint Cars, Trucks and Motorcycles by JoAnn Bortles
If you're planning a custom build or a new paint job for your favorite ride, this is the place to start. Award-winning painter and author JoAnn Bortles has compiled over 750 photos of dazzling custom paint jobs and drawing on first-hand experience, JoAnn explains the nature of color, graphic patterns, what's pleasing to the eye and what isn't, and how to make the right choice in custom paint.

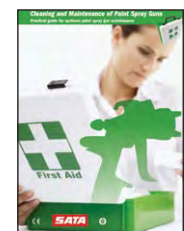


Errors, technical modifications and printing errors reserved.

Dan-Am Brochures and Leaflets

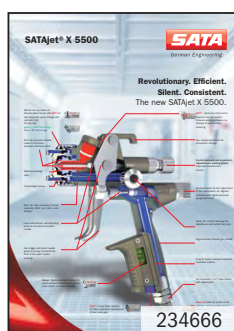
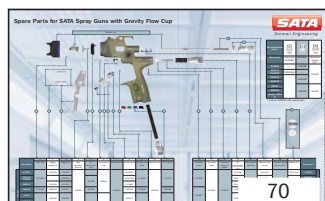
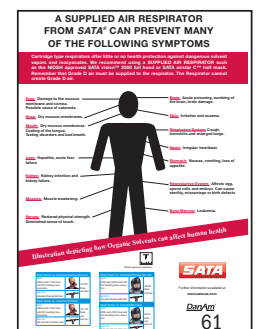
1	Binder/Catalog/Price List
2	SATA/Dan-Am Catalog
2A	Numerical Catalog Price Guide
3	Maintenance Kits 4000B & 5000B
4	SATA USA Gear
6	SATA News
7	UV Spray Guns
12	Complete Car Refinish Brochure
15	Wood Finishing
16	SATAjet 1500 SolV
17	SATAjet 1000 B
19A	SATAjet 100 B Brochure
20	SATAminijet 4400 B Brochure
21	SATAminijet 3000 B Brochure
22	Design Guns Brochure
23	Pressure Fed Guns Brochure
24	Rustproofing Brochure
25	400 Filter System Brochure
26	200 Filter System Brochure
27	SATAminijet 1000 K Brochure
29	SATAjet 5000 B & 5000 B PHASER Brochure
30	SATAjet 4000 B Brochure
31	Air-Star Half Mask Brochure
32	Automatic/ROB Gun Brochure
33	Piston Pump Brochure
34	Industrial Brochure
35	500 Filter System Brochure

36	Dan-Am Pressure Tank Brochure
37	SATA air vision 5000 Brochure
38	Vario-Top Pump Brochure
39	air vision 5000 & 2000 Cleaning procedure
40	Commercial *S*A*M*S Brochure
42	Complete Clean Compressed Air
43	RPS Dispenser Brochure
44B	SATA RCS Cleaning
45	Dry-Jet 2 System Brochure
46	RPS Cup Brochure
46A	RPS Cup Loyalty Brochure
47	Adam 2 Digital Micrometer Brochure
47A	Adam 2 Black Digital Micrometer
48A	DanAm Kneeer
50	SATA trueSun Brochure
51	Dan-Am Lockable Cabinets Brochure
52	SATAjet X 5500 Brochure
53	Dan-Am Pro Stencils Brochure
54	DanAm Air Vac
55	EZ Flex Paint Stand
56	SATAglyph 4
57	DanAm Air Catalog
57A	DanAm Air Price list
58	DanAm Air Kit Brochure
59	DAA filtration and layout pads, 1 ea.
60	DanAm Air Ag Brochure
158162	Cleaning and Maintenance of Paint Spray Guns
180829	SATAjet X 5500 Testimonial Brochure



SATA Decals and Posters

6239	SATA Spray Gun Booklet
192534	SATA logo decal 2 3/4" x 1 1/4"
99671	SATA logo decal 4 x 1.5
99689	SATA logo decal 12 x 4
99697	SATA logo decal 24 x 8
121046	SATA Authorized Dealer 6.5 x 3
61	Respirator Health Protection (Deadman poster)
68	SATA air vision 5000 poster
70	X5500 Break down poster - SATA Guns, 34 x 24
158162P	Spray Gun Washer & Manual Cleaning Poster - 2 sided, 18 x 24
234666	SATAjet X 5500 cutaway, 24 x 34
181412	SATA filter 400 cutaway, 24 x 34
215293	SATAjet 5000 B cutaway, 24 x 34
205831	5000B Break down poster -SATA Guns, 34 x 24



Errors, technical modifications and printing errors reserved.

Terms and Conditions of Sale

We Accept:



Important Notice: Sales only to bonafide creditworthy warehouses and jobbers selling paint, spray equipment and service to the automotive, industrial or wood finishing trades. Dan-Am Company reserves the right to refuse sales to companies that do not provide full service before and after the sale. Customers should read and understand the TERMS AND CONDITIONS OF SALE policies of Dan-Am Company below. These TERMS AND CONDITIONS OF SALE are not necessarily the same as Dan-Am Company customers.

Terms for Merchandise Orders:

- To ensure correct billing and shipping, have your account number (customer code number) ready when placing an order. Pricing and other account inquiries will require your account number. Orders may be e-mailed to: order@satausa.com; faxed to: 800-633-7282; or phoned in: 800-533-8016.
- Minimum order - \$50.00 net. Orders less than \$50.00 net will be assessed a \$5.00 handling charge, plus freight.
- Prices are subject to change without notice.
- All orders placed on or before the 24th of the month will be invoiced that same month unless other arrangements are made.
- Special order items from the factory may require full or partial payment in advance, and are not returnable.
- We do not drop ship to the end user.

Terms for Merchandise Returns:

- **Returns** must be authorized with a valid RGA number and sent with a copy of the original invoice to ensure proper credit. Returned equipment must be complete and consist of the original carton, instructions and accessories in unused condition. RGA number must be clearly written on outside of shipping box. Non-production or outdated items may or may not be granted credit, it's at the discretion of Dan-Am Co.
- **Used or abused** equipment is non-returnable.
- **Returned items** will be credited to past due accounts when funds are owed to Dan-Am Company.
- **All returns** are at customer expense unless it is an error in shipping. In that case a call tag will be issued.
- **Accounts** will be assessed a 15% restocking fee. A 2 for 1 reorder accompanying the return may offset the assessment, provided the item(s) are in resalable condition and not used or obsolete.
- **Warranty claims** must be returned to the distributor: Dan-Am Company, One Sata Drive, Spring Valley, MN 55975


Shipping Terms:

- Warehouses: All merchandise shipped F.O.B. **Ground delivery freight prepaid to a single destination on a single \$2500.00 net invoice within the continental U.S.** This policy does not include add-on items after invoicing, multiple purchase orders, airfreight, airfreight upgrades or freight that must be sent by truck.
- Jobbers: All merchandise shipped F.O.B. **Ground delivery freight prepaid to a single destination on a single \$750.00 net invoice within the continental U.S.** This policy does not include add-on items after invoicing, multiple purchase orders, airfreight, airfreight upgrades or freight that must be sent by truck.
- **Minimum order** - \$50.00 net. Orders less than \$50.00 net will be assessed a \$5.00 handling charge, plus freight.
- **Shipments** of \$750.00 net to Alaska, Hawaii (zone 7) and Puerto Rico (zone 6) will be prepaid to the furthest ground zone. The difference between Air and Ground delivery will be borne by the customer.
- **Freight claims** must be filed within three (3) days from receipt of merchandise.
- **Please Note!** An additional \$5.00 handling fee will be applied after the 5th drop shipment per customer per month. In addition, the actual shipping costs will be added to the drop ship invoice.
- **Please Note!** Customer will be billed for additional freight carrier charges for residential addresses or wrong addresses.

Payment Terms:

- Our month closes on the 24th. Our new month begins on the 25th.
- To insure proper credit to your account, include account number and invoice number(s) with your payment.
- Any purchases during the current month are past due after the 24th of the following month. YOU ARE ALLOWED A 2% DISCOUNT ONLY IF THE ENVELOPE IS POST MARKED NO LATER THAN THE 10TH, FOLLOWING THE MONTH OF PURCHASE. Do not deduct 2% if you are not entitled. Equipment returned for credit is not eligible for a 2% discount. YOU WILL BE REBILLED - NO EXCEPTIONS. A 1 1/2% finance charge (18% per annum) will be charged to all accounts over 30 days. Minimum monthly finance charge will be \$1.00.
- Do not deduct finance charges for past due invoices.
- Your account will be assessed a \$30.00 fee for any check returned and marked "non-sufficient funds". The same fee applies to stop payment checks tendered for merchandise delivered or services rendered.
- **PROTECT YOUR CREDIT!** Accounts past due 30 days from date of statement and/or accounts continuously past due are subject to loss of open account privileges and being placed on C.O.D. status.
- Any costs incurred to collect monies due Dan-Am Company by a collection agency will be added to the balance due.

California Proposition 65

FOR BRASS VALVES SOLD IN CALIFORNIA:  **WARNING:** Brass valves can expose you to chemicals including lead which are known to the state of California to cause cancer and birth defects or other reproductive harms. For a complete list of Prop65 items please inquire.

*** THE ABOVE TERMS AND CONDITIONS ARE SUBJECT TO CHANGE WITHOUT NOTICE ***

DanAm[®]

Errors, technical modifications and printing errors reserved.

Warranty

SATA WARRANTY

During the twelve (12) month or the three (3) year (*Premium warranty) period from the date of original purchase SATA will repair or, at its option, replace the product without charge for parts or labor subject to the following conditions.

The warranty covers the value for production parts or defects in material during the warranty period. The warranty does not include damages caused by improper handling, normal wear and tear, mechanical damages, faulty assembly, improper maintenance, unusual spray materials or chemicals.

Sprayable abrasive materials reduce the lifetime of valves, packings, guns and nozzles. Wear and tear damage caused by this are not covered in this warranty.

Our units should be inspected upon delivery by the consumer. Obvious damage must be reported within 14 days of receipt of the unit to the supplier to avoid loss of the right to claim notice of defects.

SATA holds itself harmless for damages caused during meetings, training sessions or demonstrations.

Should the consumer require immediate repair or replacement before a determination of whether the affected unit is covered by the warranty, the repair or replacement will be made and charged at the current prices. If it is determined that the item is covered by the warranty, a credit will be issued for repair or replacement. Replaced parts become the property of SATA or their distributor.

Notice of defects or other claims do not entitle the consumer to delay or refuse payment. Returned merchandise to SATA must be sent prepaid. All service charges, freight and handling charges are to be paid by the consumer.

The charges made will be in accordance with the current existing pricing.

Suretyships may not prolong the warranty period. This warranty terminates upon unauthorized interference.

***Premium Warranty**

You will be granted for SATA paint spray guns, filters or air fed respirators a prolonged warranty period free of charge (1 year + 2 years = 3 years), provided you return to us within 30 days after purchasing date the duly filled Premium Warranty Form or effects the Premium Warranty Registration via Internet, www.satausa.com

We believe you will agree that the painter is ultimately responsible for the maintenance and mechanical condition of their spray gun.

Warranty work does not include the following:

1. Internal or external cleaning of the spray gun or any part thereof. On warranty claims, your spray gun must be received in clean condition, ready for testing when received in our repair department. Otherwise a \$30.00 minimum charge will be incurred.
2. Damage to any nozzle component caused by vise-grips, pliers, nails, wire or any other foreign object.
3. Damage caused by dropping the spray gun or any nozzle component.
4. Damage caused by the use of abrasive materials.
5. The warranty does not cover damages caused by improper handling, normal wear and tear, mechanical damage, faulty assembly, and improper maintenance.

Warranty does include the following:

1. Defects in production parts or material during the 12 month warranty period.

ALL WARRANTY CLAIMS MUST BE RETURNED TO DAN-AM COMPANY HEADQUARTERS

SATA

Contact us:

Toll Free: 800-533-8016
Business Phone: 507-346-7776
Fax: 800-633-SATA (7282)
Int'l Fax: 507-346-7481
e-mail: satajet@satausa.com
Address: One SATA Drive
Spring Valley, MN 55975



DanAm®

Exclusive independent importer and distributor of SATA products in the U.S. and Puerto Rico

We Accept:



SATA satausa.com
sataairbrush.com

DanAmAir®
DanAmAir.com

SATA exclusively distributed by Dan-Am company
DanAmAir

[SATA_DanAm](https://twitter.com/SATA_DanAm)

[sata_by_dan_am](https://www.instagram.com/sata_by_dan_am)

[SATAbbyDanAmCo](https://www.youtube.com/SATAbbyDanAmCo)