

SATA® RPS™



Spray Guns | Cup Systems | Breathing Protection | Air Filtration | **Accessories**



The cup system for mixing,
painting and storing

SATA RPS – The Original.

The safe, refillable cup system for professionals: easy, perfect and without compromise

SATA RPS (Rapid Preparation System) is the ideal cup system for shops focusing on perfect finishes and high profitability. It makes a painter's life much easier, considerably increases productivity and drastically reduces the consumption of cleaning solutions and solvents.



SATA® RPS 0.9 I

40 cups, lids and
flat sieves 125 μ : Part No. 1011973
plug-in sieves 200 μ : Part No. 1011981
flat sieves 200 μ : Part No. 1012004

SATA® RPS 0.6 I

60 cups, lids and
flat sieves 125 μ : Part No. 1010438
plug-in sieves 200 μ : Part No. 1010488
flat sieves 200 μ : Part No. 1010545



CHARACTERISTICS

- Easy to use – only 3 parts
- Fits directly on all SATA spray guns - no adapters required
- Constant, even material flow, helping the painter to achieve perfect finishing results
- Allows very quick color changes - cleaning becomes almost irrelevant
- Reduces cleaning efforts and solvent consumption
- The special lid shape ensures complete consumption of the paint contained in the cup
- Large number of mixing ratios (up to 100 variations)
- Stable cup ensures safe storage of leftover material
- Available in the 3 cup sizes 0.3 l, 0.6 l and 0.9 l
- Different strainer types available

SATA® Loyalty Program

coins & more



With the SATA Loyalty Program, SATA rewards loyal customers of certain products (currently all RPS cup systems) with loyalty coins, which can then be converted into attractive rewards.

Buyers of premium products or employees of buying companies who have received permission from his/her employer are allowed to participate, in accordance with the conditions of participation.

Points are collected by scanning the QR code applied to certain eligible products.

On the outside of each RPS carton there is a booklet in which the coin value can be scanned from the QR code. Complete the user information, scan and collect the SATA coins. These coins can be converted into attractive rewards.



The paint is mixed in the cup later used for painting.

SATA® RPS 0.3 I standard

40 cups, lids and
flat sieves 125 μ : Part No. 1010389
plug-in sieves 200 μ : Part No. 1010397

100 cups, lids and
flat sieves 125 μ : Part No. 1010420
plug-in sieves 200 μ : Part No. 1010404



SATA® RPS 0.3 I minijet

(minijet 3000B and earlier)
60 cups, lids and
flat sieves 125 μ : Part No. 1010553
plug-in sieves 200 μ : Part No. 1010561



SATA® RPS 0.6 I UV

60 cups, lids and
flat sieves 125 μ : Order No. 1010496
plug-in sieves 200 μ : Order No. 1010503

RPS® Dispenser System



**Everything in
its place!**



SATA® RPS wall dispenser

Standard kit for up to 2 cup sizes:
2 aluminum brackets for wall
mounting, 2 tubes for cups, 2 tube
for lids, and 2 tubes for sieves
Order No. 195784



SATA® RPS rotawall adapter kit

Compact wall-mounting version: Wall
bracket with rotating spindle to mount the
basic version* and the extension kit*
Order No. 196543



SATA® RPS extension kit

Extension kit for one additional cup size:
each 1 tube for cups, 1 tube for lids, and
one tube for the sieves (the brackets of the
standard kit are suitable for mounting the
extension kit)
Order No. 195776

SATA® RPS rotafloor adapter kit

Workbench/floor version: Height-adjustable
stand with floor plate and rotating spindle
to mount the basic version* and the
extension kit*
Order No. 196550



*not included in kit

Further information available at:



- 1.** Download App & register
- 2.** Scan QR code under the lid
- 3.** Collect coins & Convert into rewards

Collect coins with every cup!

Accessories

Spare lids

Order # 1013226 (80 pcs) 0.6 l and 0.9 l
Order # 1013234 (108 pcs) 0.3 l minijet
Order # 1013218 (60 pcs) 0.3 l standard



Spare flat sieves 200 μ

Order # 144964 (100 pcs) 0.6 l, 0.9 l



Spare flat sieves 125 μ

Order # 131979 (100 pcs) 0.6 l, 0.9 l
Order # 160606 (60 pcs) 0.3 l

Spare plug-in sieves 200 μ

Order # 131987 (100 pcs) 0.3, 0.6 l, 0.9 l



Cup-carrier basket

for safe transportation of up to 6 RPS cups into the booth.
Order # 127845



SATA® RPS Mix Stick

Hand agitator for effective mixing of paint components.

Order # 170845 (50 x)



SATA® clean RCS®

Order # 146944

SATA® clean RCS® compact

Order # 192518

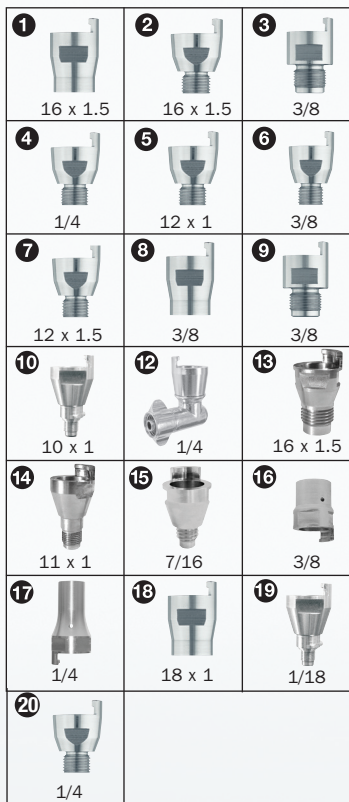
SATA® clean RCS® micro

Order # 202564

Manufacturer	Spray Gun	Adapter	Part No.
SATA	SATAjet 2000 HVLP, RP w/o QCC	2	125237
	SATAjet LM 2000 HVLP/RP, SATAjet 90	2	125237
	SATAjet KLC HVLP/RP, KLC P	2	125237
	SATAjet B, NR 92, NR 95 HVLP	1	125211
	SATAjet LM B 92	7	133595
	SATAmijet, minijet 2, 3, 4	10	135798
	SATAjet 1000 H	16	188292
	SATAmijet 1000 H	17	188318
Binks	MG-1	3	125252
Airgunsa	AZ40 HTE	4	125278
Asturo	OM Green	5	125294
3M/Graco	3M PPS	6	126326
DeVilbiss	PRI, GTI, GFP, GTI Pro, GFG, GFV, GFHV 510, Tekna, CVI	3	125252
	SRI	15	164608
Starting Line/	HLVP Spray Gun	13	150136
Finish Line	Mini Spray Gun	14	150151
Emininet	E13	4	125278
IWATA	W 400, WR 400, LPA 94	1	125211
	VXL Primer Gun, LPH 400, LPH 440	1	125211
	LPH 80	19	193276
	LS-400 (Super Nova), W 300, WS400	4	125278
	LPH 300	12	147272
Kremlin	M 21 G	20	215079
Optima	800, 900	8	133827
Sagola	475 Mini-Gun	10	135798
	403 G, 433 G, 434 G, 444 G, 450 G	7	133595
	4100 G, 4200 G, 4300	7	133595
	4400	1	125211
	4400/4500 Xtreme	18	188664
Sharpe	GT1, Platinum, Titanium, Cobalt, SGF 98, Razor primer	9	135111
	Finex FX 300	8	133827
	Finex FX 1000, 2000, 3000	2	125237
Walcom	FX GEO, FX HVLP	5	125294
	Genesis Carbon	2	125237

RPS adapter with QCC function*

Upgrades non-QCC SATA paint spray guns** and spray guns of other manufacturers



for updated adapter selections please visit www.satausa.com

> encyclopedia > spray gun adapters

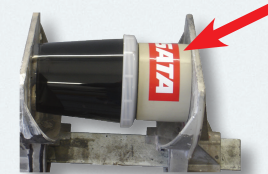


Cleaning bottles (1 L)

for intermediate cleaning of waterborne and solvent-based cleaning agents.

Squeeze bottle **Order # 127852**

Pump spray bottle **Order # 127860**



RPS Shaker Ring adapter

Safely holds the RPS cup for use in a paint shaker

0.6l & 0.9l **Order # 117051**

0.3l **Order # 173435**

RPS Depot

Storage rack to hold up to three RPS cup boxes.

Order # 144840

(without RPS boxes)



* Patent pending, US patent No. 6,877,677 ** Optional: Only used when QCC connection is required or preferred.

Your SATA dealer



DanAm®

The exclusive independent distributor of
 SATA product in the US and Puerto Rico

One SATA Drive

Spring Valley, MN 55975

Phone: 800-533-8016

Fax: 800-633-7282

e-mail: satajet@satausa.com

www.satausa.com