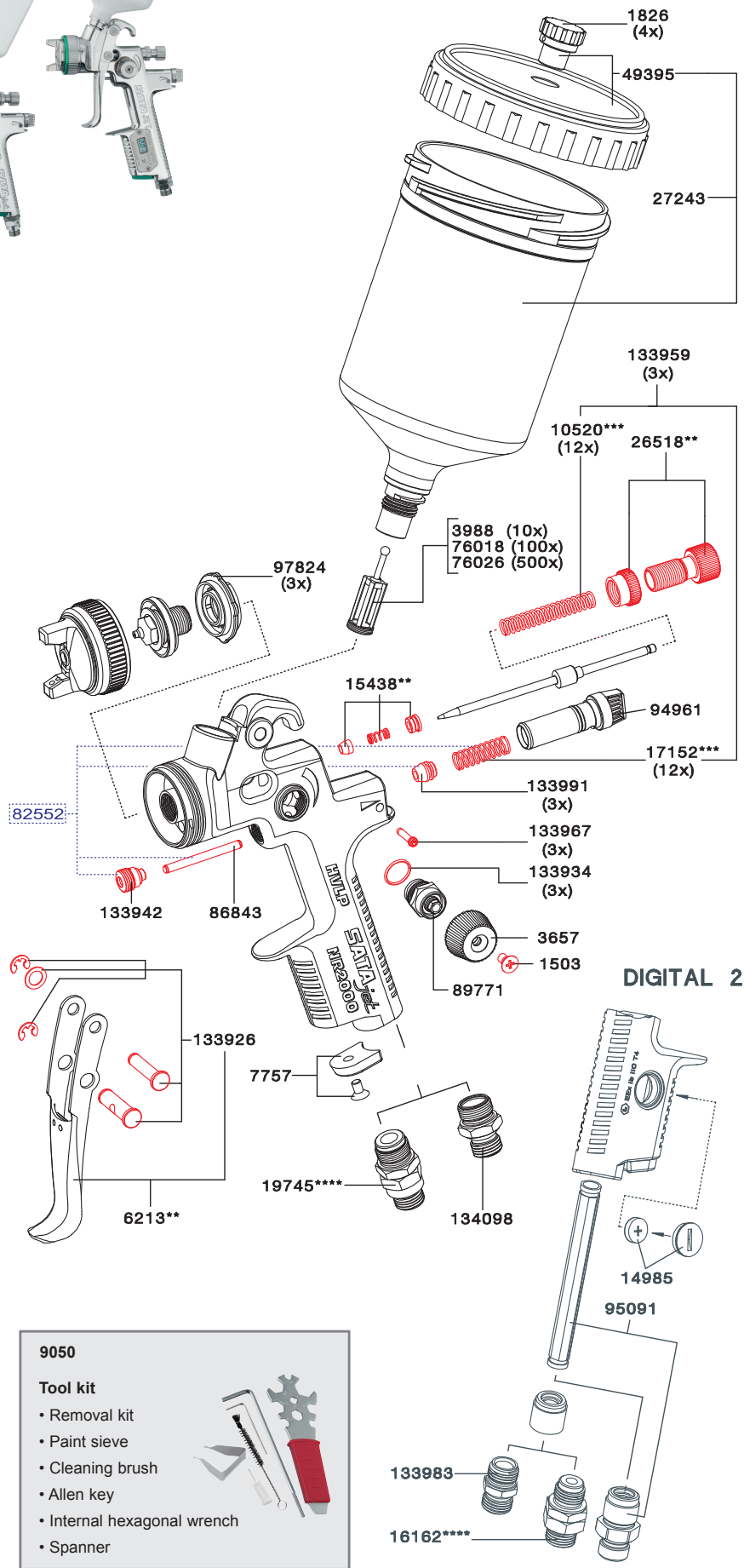


Art. No./ Descr.
57620 Repair kit SATAjet 2000 HVLP
1503 Counter sunk screw M4 x 8 DIN 965, stainless steel
1826 Pack of 4 pieces non-drip devices for 0.6 l PVC cup
3657 Control knob
3988 Pack of 10 paint strainers
6213 Trigger kit
7757 Pack of 4 CCS clips
10520 Pack of 12 springs for paint needle
14985 Battery cpl. w. closing screw and sealing
15438 Paint needle packing
16162**** Swivel joint for SATA paint spray guns
17152 Pack of 12 air piston springs
19745**** Swivel joint for SATAjet 3000, 2000, RP w/o digital display
26518 Paint flow control screw cpl. with counter nut
27243 QCC quick replacement cup (PVC) 0.6 l
49395 Screw-on lid for 0.6 l PVC cup with drip-catching ring and non-drip device
55244 Packing kit SATAjet/90 and NR2000
76018 Dealer pack paint strainers, content: 10 x 10 pieces
76026 Large dealer pack paint strainers, content: 50 x 10 pieces
82552 Air piston service unit
86843 Air piston rod
89771 Spindle, cpl., f. round / flat spray control
94961 Air micrometer
95091 Air connection with sleeve for digital paint spray guns without swivel joint
97824 Pack of 3 air distribution rings
133926 Trigger sleeve kit
133934 Pack of 3 packings for spindle
133942 Seal retainer
133959 Set of springs, each 3 pieces paint needle/air piston springs
133967 Pack of 3 adjustment screws for SATA air micrometer
133983 Air connection piece G1/4a
133991 Pack of 3 air piston heads
134098 Air connection piece G1/4a- M15x1a
**** Swivel joint only available with PVC gravity cup guns



2009

