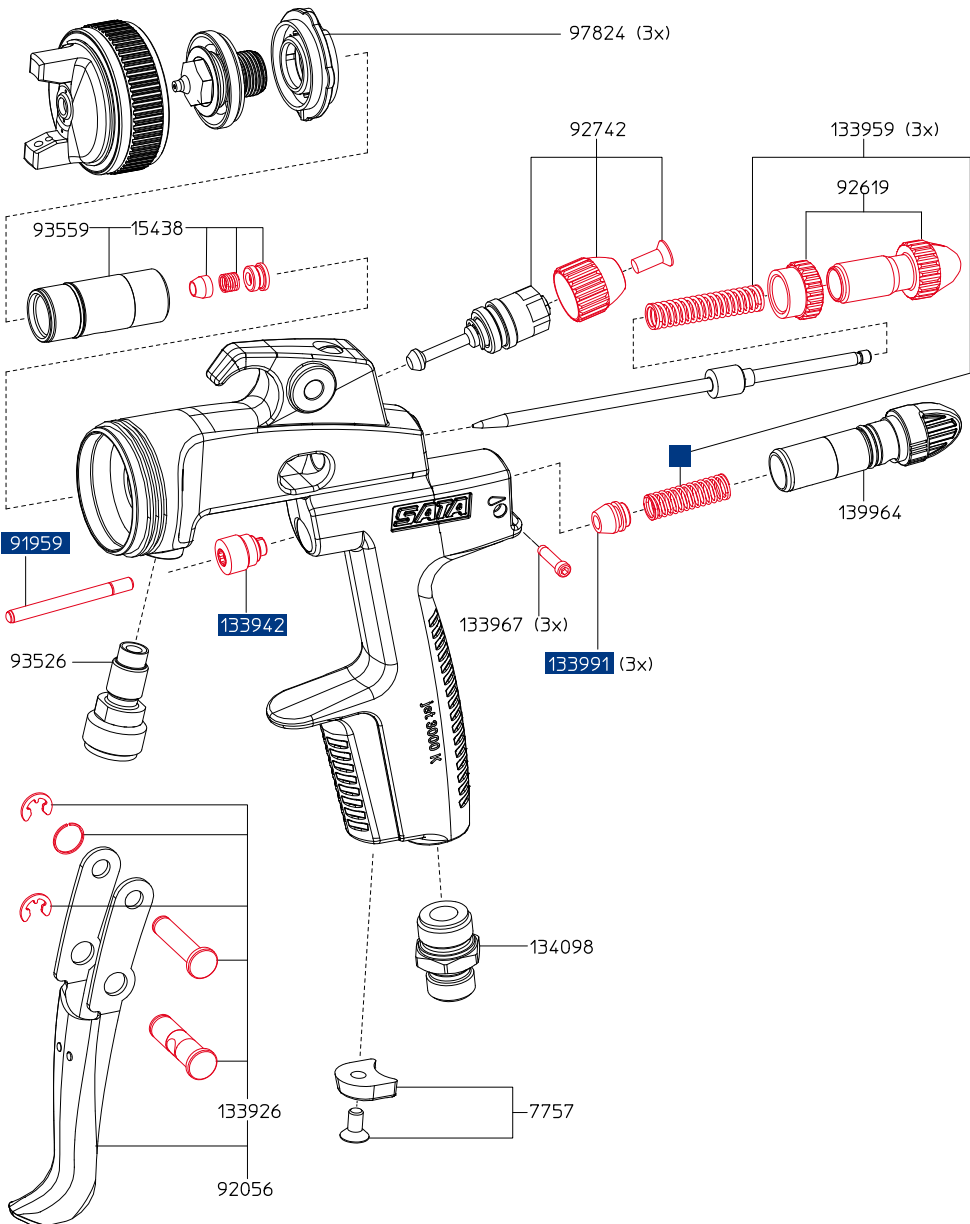


# Spare Parts SATAjet® 3000 K

Art. No./Descr.
7757
Pack of 4 CCS clips available in colours green, blue, red and black
15438
Paint needle packing
91959
Air piston rod
92056
Trigger kit
92619
Material flow control screw with counter nut
92742
Round/flat spray control
93526
Stainless steel material connection
93559
Stainless steel insert
97824
Pack of 3 air distribution rings
133926
Trigger sleeve kit
133942
Seal retainer
133959
Set of springs with each 3 pieces paint needles/air piston springs
133967
Pack of 3 adjustment screws
133991
Pack of 3 air piston heads
134098
Air connection piece G1/4a- M15x1a
139964
Air micrometer for



All prices are recommended list prices. Errors, technical modifications and printing errors reserved.

Art. No./Descr.
9050
<b>Tool kit</b>
· Extraction tool
· Paint strainer
· Cleaning brush
· Paint strainer
· Allen wrench 2 mm width
· Allen wrench 4 mm width
· Universal spanner



Art. No./Descr.
92767
<b>Repair kit SATAjet 3000 K, jet K3</b>
92759
<b>Air piston service unit</b>