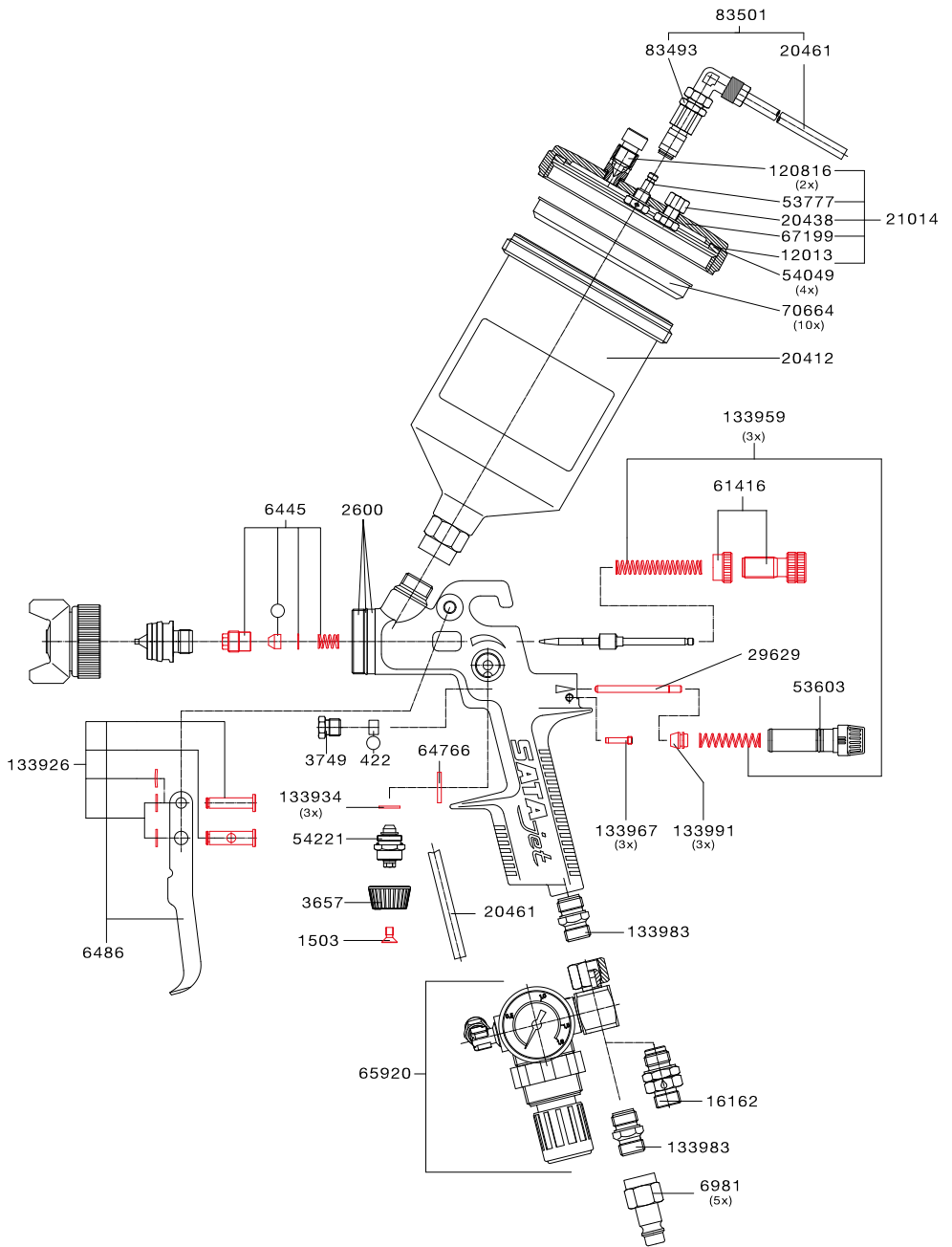


# Spare Parts SATA® spray master RP®

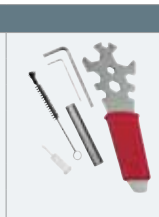
Art. No./Descr.
422
Packing for paint needle
1503
Countersunk screw M4 x 8 DIN 965, stainless steel, for micrometer und round/flat spray control
2600
Service unit for nozzle insert consisting of nozzle insert, distribution plate and sealing ring
3657
Control knob and regulation valve
3749
Stuffing box
6445
Paint needle packing
6486
Trigger set
6981
Quick coupling nipple G 1/4 female thread, packing unit: 5
12013
Seal ring
16162
Swivel joint for SATA paint spray guns with digital pressure display
20412
pressurized cup 0.7 l w/o lid
20438
Safety pressure relief valve BVD
20461
Plastic air hose for BVD and agitator cup
21014
Aluminium lid for BVD pressurised cup, w. gasket 12013
29629
Air piston rod
53603
Air micrometer cpl.
53777
Air connection for aluminium lid BVD NAD-92 and spray master RP
54049
Pack of 4 gasket ring for BVD SATA mini set 2, HRS-E, agitator cup
54221
Spindle complete
61416
Paint flow control screw cpl. w. counter nut
64766
Spacer
65920
Control fittings, complete
67199
Version for waterborne paints
70664
Set of 10 non-drip devices
83493
Connection for pressurized cup, complete
83501
Air hose cpl. w. pressurized cup connection
120816
Pack of 2 pressure release screws
133926
Trigger sleeve kit
133934
Pack of 3 packings
133959
Set of springs with each 3 pieces paint needles/air piston springs
133967
Pack of 3 adjustment screws
133983
Air connection piece G1/4a
133991
Pack of 3 air piston heads



All prices are recommended list prices. Errors, technical modifications and printing errors reserved.

**Art. No./Descr.**

- 9654
- Tool kit**
- Paint strainer
  - Cleaning brush
  - Socket wrench width 7 mm
  - Allen wrench width 2/4 mm
  - Universal spanner



**Art. No./Descr.**

- 70623
- Repair kit for SATAjet/H+K, H+K-NR95 from gun serial # 90000 on**
- 9829
- Packing set**